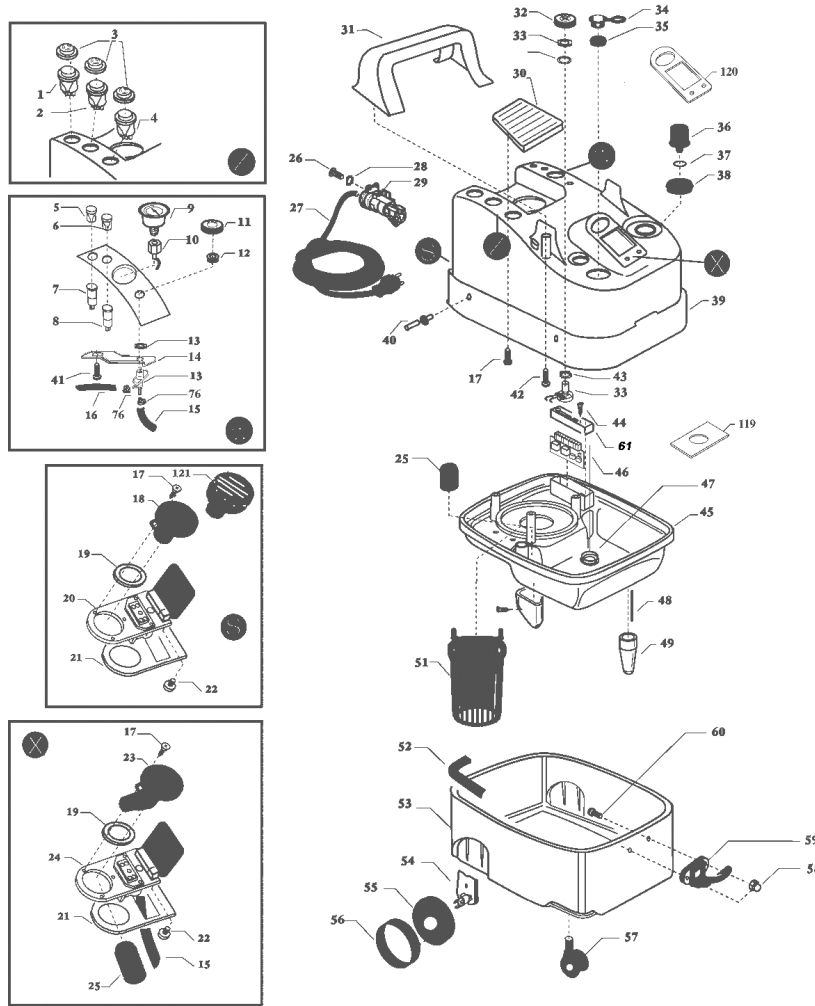


# Spare Parts List

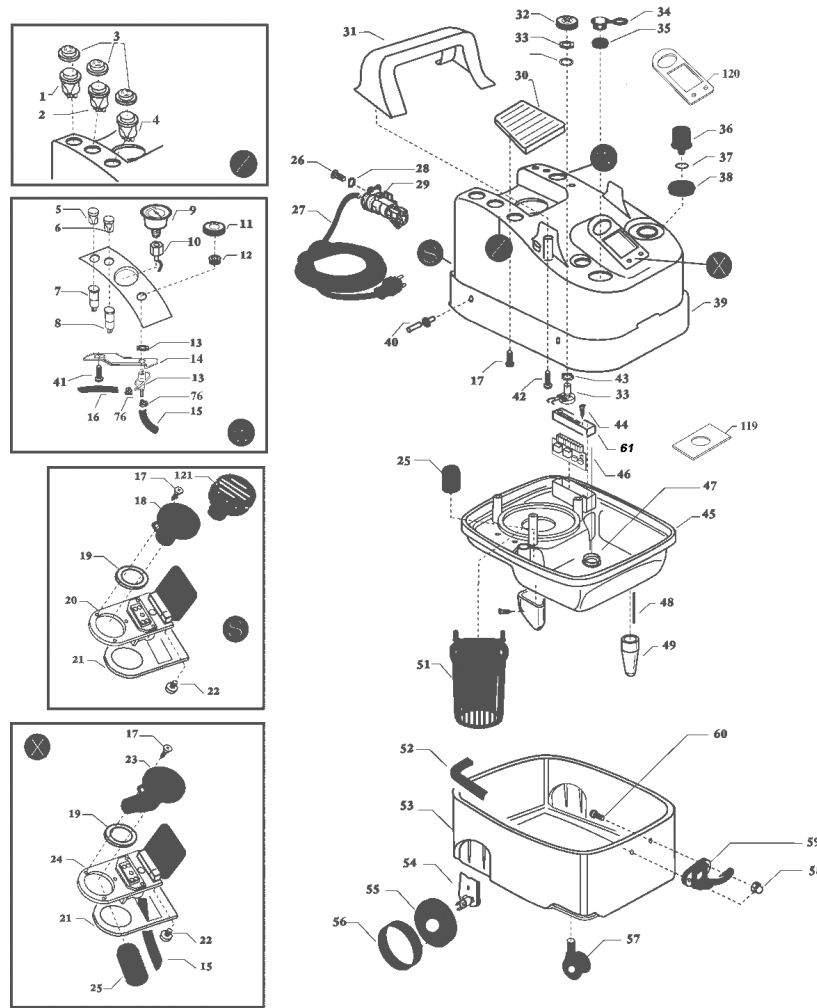
FORCE Ltd

Ref: GNVA47891

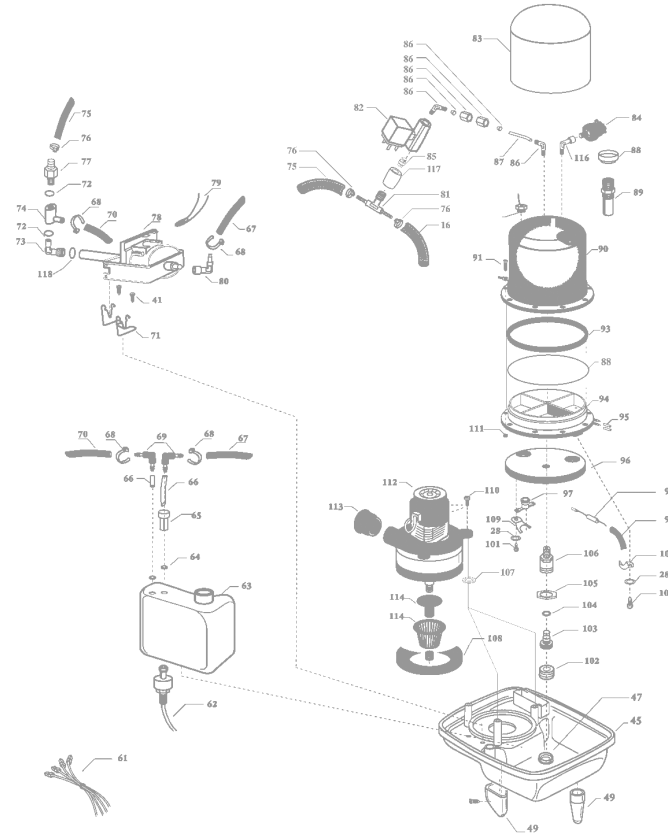
Model: GENER.VAP. NEW STEAMY M 230V 3-01PRT



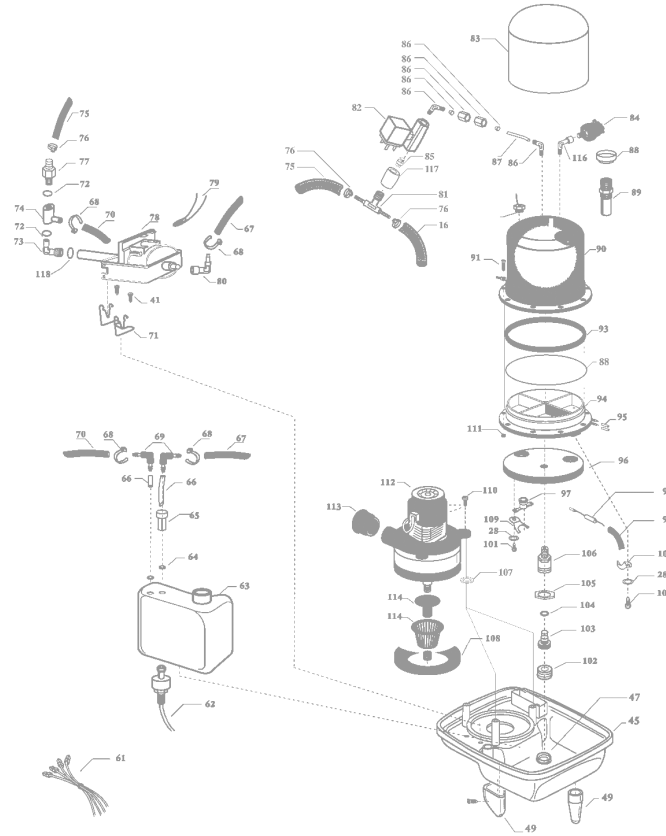
Ref.	K	Part N.	Customer Part N.	Description	Qty	Validity:		Price
						From	To	
0001		MECI47450		SWITCH SPL60 16A 250V LUM.VRD.GN	1,00			--
0002		MECI49087		SWITCH SPL60 16A 250V LUM.SRG.	1,00			--
0003		MEVR47448		MAMBRANE SPL60	3,00			--
0004		MECI49088		SWITCH SPL60 16A 250V LUM.SRG.	1,00			--
0005		MEVR49089		OIL WARN-LIGHT LUM. RD.	1,00			--
0006		MEVR49090		OIL WARN-LIGHT LUM. GRN.	1,00			--
0007		MELF42846		LAMP RED 230V T120° SLX33.B	1,00			--
0008		MELF42845		LAMP GREE.230V T120° SLX33.B	1,00			--
0009		MNMN49091		PRESSURE GAUGE 0- 10 CROM.	1,00			--
0010		TBAP49092		TUBE 1/8" M/F	1,00		05/2004	--
0010		TBAP88504		TUBE 1/8" M/F 2V.	1,00			--
0011		MPVR49093		KNOB N.STY-RUB.	1,00			--
0012		MEVR49094		FAIR-LEAD D.11 RG11	1,00			--
0013		RCGR49095		TAP STEAM N.STY	1,00			--
0014		LAFN49096		PLATE N.STY	1,00			--
0015		TBCO15363		L.P. HOSE 6.4-12 MAN. 170° TR.BLU	0,24			--
0016		TBCO15363		L.P. HOSE 6.4-12 MAN. 170° TR.BLU	0,40			--
0018		MPVR47113		FLANGE T.FLEX B.CA	1,00			--
0019		GUVR48798		RING D. 42-58 SP.2 PL/45	1,00			--
0020		MPVR49097		FRONT PANEL WK 2/BS. +GU.	1,00			--
0021		GUVR48804		GASKET PRS.VP. PL/45	1,00			--
0022		VTVT00525		SCREW TCB-TC 4.2X13 UNI6954	1,00			--
0023		MPVR49098		FLANGE T.FLEX N.STY	1,00			--
0024		MPVR49099		FRONT PANEL WK 6/BS. +GU.	1,00			--
0025		TBFX49100		TUBE FLEX D.32 0.3MT. 125°	1,00			--
0026		VTVT01519		SCREW TCB TC 3.9X 9,5 NCH.	1,00			--
0027		MECB49101		CABLE N.STY 3X1.5	1,00			--
0028		VTRS05727		WASHER D. 4 DIN 6798E	1,00			--
0029		MEVR49102		FAIR-LEAD PA84 E	1,00			--
0030		MPVR49103		MOTOR COVER N.STY BK.	1,00			--
0031		MPVR49104		HANDLE N.STY BK.	1,00			--
0032		MPVR49105		HANDWHEEL N.STY MOT.	1,00			--
0033		MEVR47931		POTENTIOMETER PL 230V	1,00			--
0034		MPVR49106		TANK CAP N.STY	1,00			--
0035		GUVR49107		GASKET N.STY	1,00			--
0036		RCDS47869		CAP A.SV. 3/8" M 5B.	1,00			--
0037		GUGO03507		O-RING D. 13.95 X 2.62 VIT 70SH	1,00			--
0038		GUVR49108		GASKET N.STY	1,00		05/2004	--
0038		MEVR88552		FAIR-LEAD D.20 X40	1,00	06/2004		--



Ref.	K	Part N.	Customer Part N.	Description	Qty	Validity:		Price
						From	To	
0039		MPVR49109		RED COVER N.STEAMY SP.	1,00			--
0040		MPVR17219		PROD D.10- 6 L=10	1,00			--
0041		VTVT89031		SCREW TCB-TC 5.5X13 ZC UNI 6594	1,00			--
0042		VTVT89032		SCREW TCB-TC 5.5X50 ZC UNI 6594	2,00			--
0043		VTRS63307		WASHER D. 8 D.E.	1,00			--
0044		VTVT21094		SCREW TCB-TC 2,9X 9.5 INX	1,00			--
0045		MPVR49110		SUPPORT N.STY	1,00			--
0046		MECE48361		PCB C3 C/SND.	1,00			--
0047		MEVR49111		FAIR-LEAD SIL. N.STY	1,00			--
0048		MEVR49112		PROBE N.STY	1,00			--
0049		MPVR48399		SEPARATOR BIA.	1,00			--
0051		FTAC46971		WATER FILTER B.CA	1,00			--
0052		GUVR49113		GASKET 13,5X7 N.STY	1,00			--
0053		MPVR49114		BLACK COVER N.STEAMY IF. +WH.	2,00			--
0054		LAFN46931		HOOK BNC	2,00			--
0055		RTRT46929		WHEEL D.100 BRIO	2,00	09/2003		--
0056		RTRT46930		RING D.100 BRIO	2,00		09/2003	--
0057		RTRT46972		TURNING WHEEL D. 40 P. B.CA	2,00			--
0058		VTDD14407		NUT M 5 INX A2	2,00			--
0059		CHVR46938		LEVER HOOK RNF.BK 3 PZ.	1,00			--
0060		VTVT15963		SCREW TCB-TC 5X12 UNI7687 INX	2,00			--
0119		LAFN88814		PLATE N.STY	1,00			--
0120		MFVR88815		PLATE VP. N.STY	1,00			--
0121		MPVR45767		SILENCER VAP. WK	1,00			--
9999		KTRI89216		KIT P 33- 6 N.STY.	1,00			--



Ref.	K	Part N.	Customer Part N.	Description	Qty	Validity:		Price
						From	To	
0061		MECB88600		WIRING N.STY	1,00			--
0062		MECI49122		SENSOR LEVEL REED	1,00			--
0063		MPVR48396		WATER TANK BIANCA	1,00			--
0064		MEVR49123		FAIR-LEAD V6	2,00			--
0065		FTDT49124		FILTER DET. +PG.	1,00			--
0066		TBBP00058		L.P. HOSE D. 4- 6	1,00			--
0067		TBCO15363		L.P. HOSE 6.4-12 MAN. 170° TR.BLU	0,17			--
0068		FSVR01875		CLAMP LG 32030 2.4X 95	4,00			--
0069		RCVR49125		HOSE FITTING "L" D.5 - D.5	2,00			--
0070		TBCO15363		L.P. HOSE 6.4-12 MAN. 170° TR.BLU	0,30			--
0071		MPVR49126		SUPPORT PR.CH. N.STY	2,00			--
0072		GUGO24916		O-RING D. 6.02 X 2.62 NBR 90SH	2,00			--
0073		RCVR34780		ELBOW 1/8" M/F A10	1,00			--
0074		RCDS49127		CONNECTOR PG. D.5	1,00			--
0075		TBCO15363		L.P. HOSE 6.4-12 MAN. 170° TR.BLU	0,33			--
0076		FSVR00427		CLAMP D. 12 CLIC 66-110	3,00			--
0077		RCVR41916		HOSE FITTING 1/8 M D. 7- 4.3 A19 NIK	1,00			--
0078		PPEL40006		PUMP BY-P. 230V E 505	1,00			--
0079		METK43603		KLIKSON UP62 110°C	1,00			--
0080		RCDS41923		HOSE FITTING "L" 1/8F - D. 7	1,00			--
0081		RCVR49128		CONNECTOR T 1/8 M -2 PG. D.5	1,00			--
0082		MEEV49129		SOLENOID VALVE ESQ 2V.1/8F 230V	1,00			--
0083		ITTE48550		PROTECTION BIA.	1,00			--
0084		MEPF41911		PRESSURE SWITCH16A 250V 2-6BAR	1,00			--
0085		RCVR14043		CONNECTOR DTT 1/8"M C1 D. 6/ 4 NIK	1,00			--
0086		RCVR46461		BI-CONE CONNEC.L 1/8"M B5 D. 4/ 6 NIK	1,00			--
0087		TBCO86391		TUBE D. 4 X 1 RAME	0,05			--
0088		GUVR88812		GASKET VP. N.STY	1,00			--
0088		RCDS49130		RING NUT N.STY	1,00		05/2004	--
0089		RCDS49131		CUTTING NIPPERSN.STY 155	1,00		05/2004	--
0089		RCDS88551		CUTTING NIPPERSN.STY 155 2V.	1,00	06/2004		--
0090		LAFN48438		CASING 155 -BIANCA	1,00			--
0091		VTVT01113		SCREW TCEI 5X16 UNI5931	10,00			--
0093		GUVR48745		GASKET VP. B.CA	1,00			--
0094		MFVR48744		BOILER BOTTOM B. C/RES.2000W 230V	1,00			--
0095		MEVR49132		PIPE SIL.	2,00			--
0096		ITTE48551		BOTTOM BIA.	1,00			--
0097		METK48743		THERMOSTAT 165 °C SIC.	1,00			--
0098		MEVR49133		FUSE N.STY	1,00			--



Ref.	K	Part N.	Customer Part N.	Description	Qty	Validity:		Price
						From	To	
0099		TBBP43611		L.P. HOSE D. 4- 6 TEFLON	1,00			--
0100		MEVR07514		CLIP D.7	1,00			--
0101		VTVT21887		SCREW TCB-TC 4X10 8112	3,00			--
0102		MPVR49134		CAP SC. N.STY	1,00			--
0103		RCDS49135		CAP 155 OT	1,00			--
0104		GUGO01055		O-RING D. 5.28 X 1.78 VIT 70SH	1,00			--
0105		VTDD49136		LOCKNUT M 14X1 OT.	1,00			--
0106		RCDS49137		SLEEVE N.STY OT.	1,00			--
0107		GUVR49138		GASKET MOT. D.110-148	1,00		05/2004	--
0107		VTRS88813		WASHER D. 8X15X3 NBR	3,00	06/2004		--
0108		GUGO49139		GASKET N.STY L	1,00			--
0109		LAFN49140		BRACKET N.STY	1,00			--
0110		VTVT07943		SCREW TCB-TC 6,3X19	3,00			--
0111		VTDD63175		NUT M 5 FL.	10,00			--
0112		MOMO49141		MOTOR N.STY 230V AL	1,00			--
0113		GUVR49142		GASKET N.STY	1,00			--
0114		FTAC49143		FILTER N.STY AL	1,00			--
0116		RCVR34780		ELBOW 1/8" M/F A10	1,00			--
0117		VVSF49144		VALVE N.RT. 1/4MF-1/8MF	1,00		05/2004	--
0117		VVSF88507		VALVE N.RT. 1/8F/F	1,00			--
0118		GUGO49167		O-RING D. 6.40 X 1.9 NBR 70SH	1,00			--
9999		IPIP45757		GRIP WK.AV 6P + 2.5MT	1,00			--
9999		KTRI89216		KIT P 33- 6 N.STY.	1,00			--