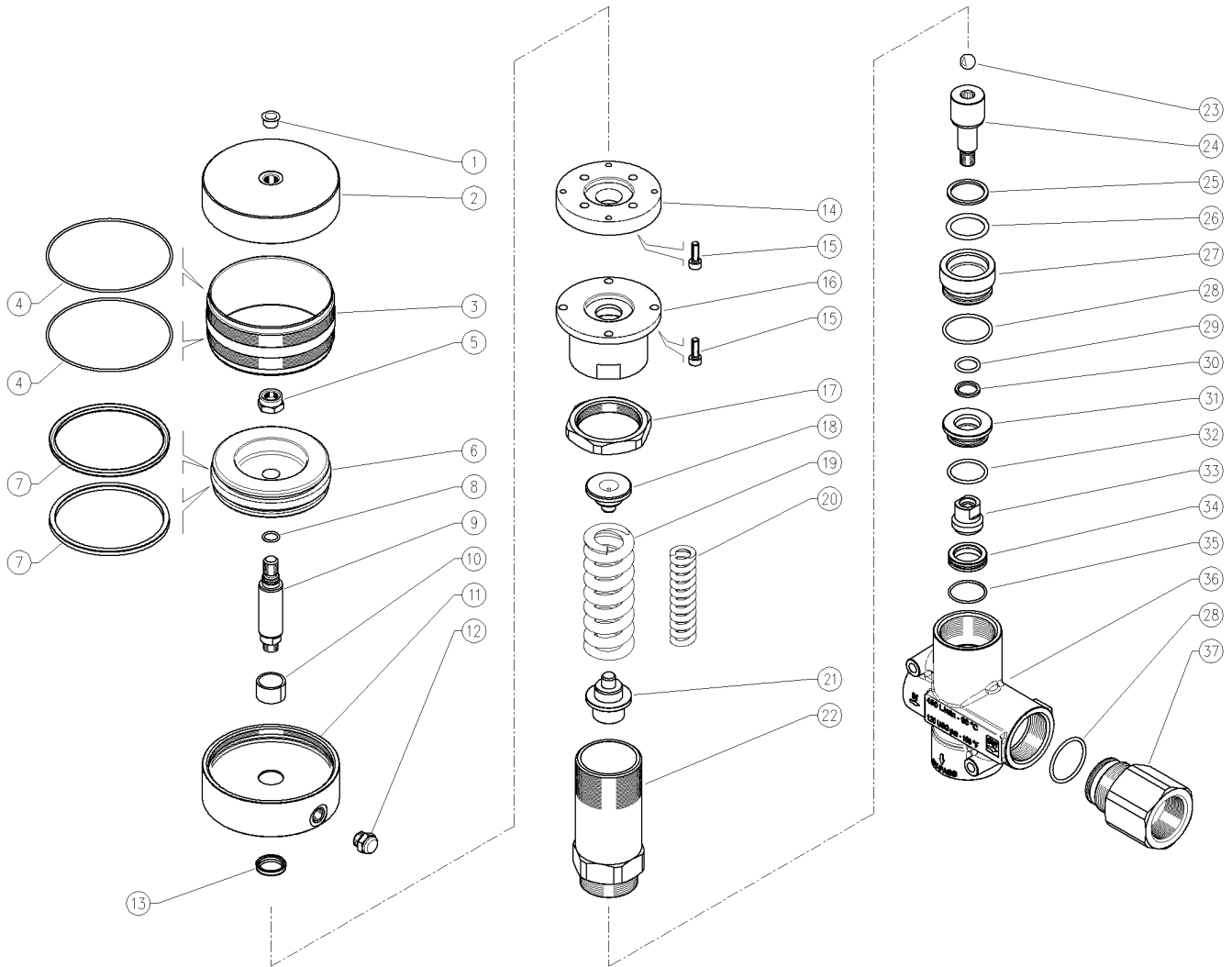


60.5360.00 VRPP 450-200 regul.valv. 1"1/4F Bsp -air



K1K2K3K4

1	15.3720.14RPlug, 1/4" Bsp plast.	1			4
2	60.5325.41RValve bottom, Al	1			3
3	60.5324.46RJacket, Al	1			3
4	10.3106.00RO-ring, 2x103 mm	2	•		5
5	11.4740.00Hex. nut, M12	1			10
6	60.5326.41RPiston, Al	1			3
7	10.2100.00RPiston seal, 90x100x4,5 mm	2	•		5
8	10.3058.01RO-ring, 1,78x10,82 mm	1	•		10
9	60.5321.61RPiston, 20-M12x94 mm	1			3
10	60.5323.85RBushing, opn. 20x24x14,8 mm PTFE	1	•		3
11	60.5322.41RValve head, Al	1			3
12	11.8901.14RPneum. filter, G1/4	1			3
13	10.2020.25RStem seal, 20x25x4 mm	1	•		5
14	60.5364.31RFlange for VRPP 450	1			1
15	16.1895.18RScrew, DIN912 M6x18 mm z.pl.	8			4
16	60.5363.31RPiston holder, brass	1			1
17	60.5361.31RRing nut, M55 brass	1			1
18	60.4016.31RSpring holder	1			3
19	60.4006.61RSpring, 9x33x110mm	1			2

K1K2K3K4

20	60.4015.61RSpring	1			2
21	60.4010.31RBall holder	1			3
22	60.5362.31RSpring holder, brass	1			1
23	14.7465.00RBall, 1/2" Sst.	1			5
24	60.4004.51RPiston, M 12	1			3
25	10.4096.00RBack-up ring, 28x34x2mm	1	•		5
26	10.3246.05RO-ring 3,53x28,17 mm	1	•		5
27	60.4007.31RBushing	1			3
28	10.3208.28RO-ring, 2,62x36,17 mm Ni85	2	•		5
29	10.3181.20RO-ring, 2,62x15,88 mm	1	•		10
30	10.4084.00RBack-up ring, 16x20,5x2mm	1	•		5
31	60.4005.31RBushing	1			3
32	10.3206.08RO-ring, 2,62x28,25 mm Ni85	1	•		10
33	60.4003.51RShutter, M 12	1	•		3
34	60.4002.51RSeat	1	•		3
35	10.3077.08RO-ring, 1,78x28,3 mm Ni 85	1	•		10
36	60.4001.35RHousing -VB450, 1"1/4Bsp F, brass	1			1
37	60.4014.31RPiston holder, 1"1/4 Bsp F	1			3

K1

K1	60.4222.24 Spares kit -VRP 450/200-300, 9x1pcs.	1
K2	60.5327.24 Spares kit -pneum. cylinder, 5x1pcs.	1