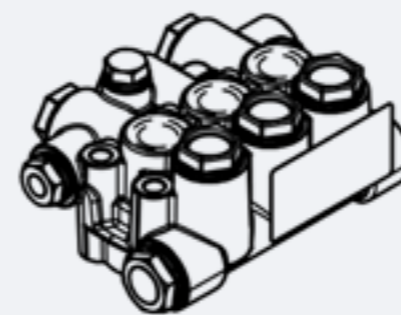


<p>MASSIMA TEMPERATURA INGRESSO ACQUA MAX INPUT WATER TEMPERATURE</p> <p><b>45°C</b> <b>113° F</b></p>	<p>PRESSIONE MINIMA INGRESSO MINIMAL INPUT PRESSURE</p> <p><b>0.2 BAR</b> <b>2.9 PSI</b></p>	<p>INGRESSO INLET</p> <p><b>G 1/2"</b></p>	<p>USCITA OUTLET</p> <p><b>G 3/8"</b></p>	<p>TESTATA NICHELATA NICKEL PLATED MANIFOLD</p>
--	--	--	---	---



Codice Code	Modello Model	Portata / Flow Rate lt/min - gal/min		Pressione / Pressure		Potenza / Power		Potenza / Power		Albero Shaft L: 40mm Ø 24
		1450 rpm	1740 rpm	Bar	Psi	50Hz		60Hz		
						HP	Kw	HP	Kw	
P3.022.001	MM12200 R	12.00 3.17	14,4 3,80	200.00	2900.75	6.23	4.64	7.48	5.57	Destra / Right
P3.022.002	MM15200 R	15.00 3.96	18 4,76	200.00	2900.75	7.79	5.80	9.35	6.97	Destra / Right
P3.022.003	MM18200 R	18.00 4.75	21,6 5,71	200.00	2900.75	9.35	6.97	11.22	8.36	Destra / Right
P3.022.004	MM21200 R	21.00 5.55	25,2 6,66	200.00	2900.75	10.91	8.13	13.09	9.75	Destra / Right
P3.022.005	MM12200 L	12.00 3.17	14,4 3,80	200.00	2900.75	6.23	4.64	7.48	5.57	Sinistra / Left
P3.022.006	MM15200 L	15.00 3.96	18 4,76	200.00	2900.75	7.79	5.80	9.35	6.97	Sinistra / Left
P3.022.007	MM18200 L	18.00 4.75	21,6 5,71	200.00	2900.75	9.35	6.97	11.22	8.36	Sinistra / Left
P3.022.008	MM21200 L	21.00 5.55	25,2 6,66	200.00	2900.75	10.9	8.12	13.09	9.75	Sinistra / Left
		1000 rpm	1200 rpm	Bar	Psi	HP	Kw	HP	Kw	
P3.022.009	MM15200 R	15.00 3.96	18.00 4.75	200.00	2900.75	7.79	5.80	9.35	6.97	Destra / Right
P3.022.010	MM15200 L	15.00 3.96	18.00 4.75	200.00	2900.75	7.79	5.80	9.35	6.97	Sinistra / Left

## RICAMBI / SPARE PARTS



KIT - P9.040.018

TESTATA COMPLETA  
COMPLETE HEAD OF THE PUMP



KIT - P9.039.001

ANELLI TENUTA OLIO ASTA  
KIT OIL SEAL PUMP MM PM



KIT - P9.003.025

GUARNIZIONE PISTONE  
KIT PLUNGER SEALS



KIT - P9.004.013

PISTONE Ø18 POMPA PM  
KIT CERAMIC PISTON



KIT - P9.001.005

VALVOLA COMPLETA  
COMPLETE VALVE



KIT - P9.003.026

GUARNIZIONE PISTONE - PACCO COMPLETO  
KIT COMPLETE SEALS



KIT - P2.150.006

PREMONTATO BIELLA - ASTA  
PREASSEMBLED CONNECTING ROD

MM-CW CAR WASH	PORTATA FLOW RATE		GIRI ROUNDS	PRESSIONE MASSIMA MAX PRESSURE		CAPACITÀ OLIO OIL CAPACITY		PESO WEIGHT	
	Lt/min	Gal/min	Rpm	Bar	Psi	Lt	Gal	Kg	Lbs
	50Hz	12.00 ▶ 21.00	3.17 ▶ 5.54	1450	200	2900.75	0.7	0.18	10.4
60Hz	14.40 ▶ 25.20	3.80 ▶ 6.65	1740						