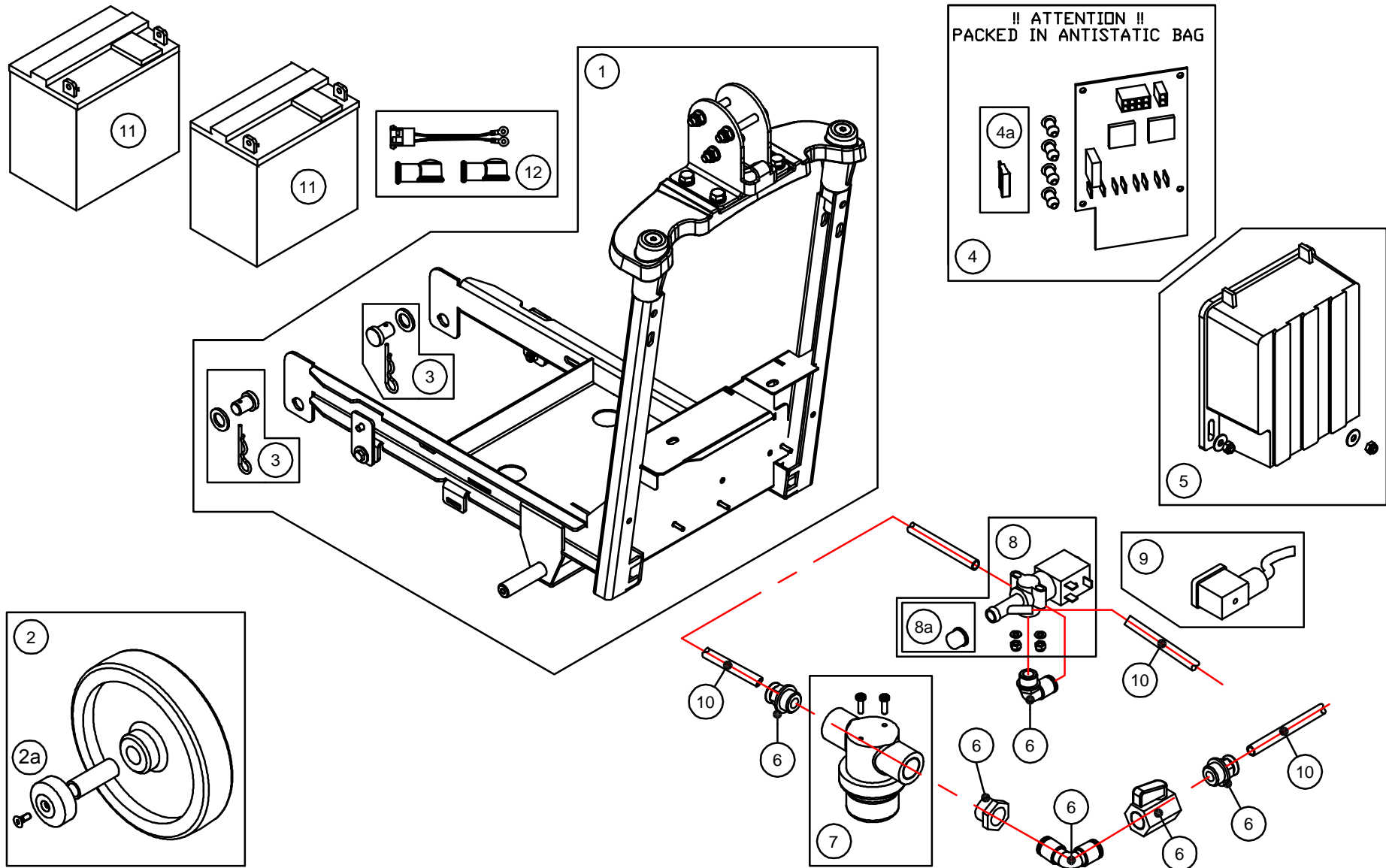


Tacony CFC		Orbis Battery Scrubber	
Part Number:		OBS38130	
Series:		A	
Date:		13-Jun-18	
Reference Drawing:		09-1125-0000 Sheets 1 to 8: 1-Chassis, 2-Brush Head, 3-Solution tank & Vacuum motor, 4-Recovery Tank, 5-Handle, 6-Charger and Rear Cover, 7-Suction Beam assy, 8-Squeegee lifting system	
Reference Drawing Issue:		A	
Modified By:		J WYLES	
Service Parts List Issue:		9	ECN #
Description of Change:		-	-

Ref. No.	Part No.	Part Description	Qty
DRAWING SHEET 1: CHASSIS ASSEMBLY			
1	95.0025.00	CHASSIS ASSEMBLY CONSISTING OF:	1
		Chassis (1 per kit)	
		Washer D 6 A2 DIN 127 (2 per kit)	
		Washer D.6X18 A2 DIN9021N (6 per kit)	
		Nut M 6 A2 DIN 982 (2 per kit)	
		Solution Tank Fixing Plate (2 per kit)	
		Washer D6 A2 DIN 125A (2 per kit)	
		Screw M 6X12 A2 DIN 933 (2 per kit)	
		Screw M6X20 A2 DIN 933 (2 per kit)	
		Handle Support (1 per kit)	
		Handle Support Frame (1 per kit)	
		Handle Support Fixing Pin (2 per kit)	
		Screw M8X25 A2 DIN 7991 (2 per kit)	
		Washer D8 A2 DIN 125A (10 per kit)	
		Washer D8 A2 DIN 127 (4 per kit)	
		Screw M8X16 A2 DIN 933 (4 per kit)	
		Nut M8 A2 DIN 982 (3 per kit)	
		Screw M8X60 A2 DIN 933 (3 per kit)	
		Screw M6X20 A2 DIN 7991 (2 per kit)	
2	95.0026.00	WHEEL ASSEMBLY CONSISTING OF:	2
		Wheel Tube (1 per kit)	
		Wheel (1 per kit)	
		Screw M6 x 16 A2 DIN 7991 (1 per kit)	
2a	50.0050.00	Ball Bearing Cover (1 per kit)	1
3	95.0027.00	BRUSH COVER FIXING KIT CONSISTING OF:	1
		Pin (2 per kit)	
		Washer D.14XD.20X1 DIN 998 (2 per kit)	
		Split Pin A2,8 (2 per kit)	

4	95.0002.00	ELECTRONIC BOARD CONSISTING OF:	1
		Spacer (4 per kit)	
		Electronic Board (1 per kit)	
4a	34.0031.00	Fuse 30Amp (1 per kit)	1
5	95.0028.00	ELECTRONIC BOARD COVER ASSEMBLY CONSISTING OF:	1
		Nut M4 A2 DIN 982 (2 per kit)	
		Electronic Board Cover (1 per kit)	
		Washer D4X12 A2 (2 per kit)	
6	95.0029.01	HOSE CONNECTOR KIT CONSISTING OF:	1
		Connection Nipple (1 per kit)	
		Connection Elbow (1 per kit)	
		Flow Valve (1 per kit)	
		Connection 1/4" tube D.8 RL1 (1 per kit)	
		Connection D.3/8" tube D.8 (1 per kit)	
		Connection 1/4" tube D. 8 (1 per kit)	
		Elbow Connector 3/8" D.12 (1 per kit)	
		Hose Connector (1 per kit)	
6a	95.0089.00	Elbow Connection Tank Drain Kit 3/8" tube D. 8 (1 per kit)	1
		Elbow Connector 1/4" D.8 (1 per kit)	
7	95.0030.00	SOLUTION FILTER KIT CONSISTING OF:	1
		Solution Filter (1 per kit)	
		Screw TCC M3,5x12 A2 DIN 7982C (2 per kit)	
8	95.0031.00	SOLENOID VALVE KIT CONSISTING OF:	1
		Solenoid Valve EV.2/2NC 1/4" 24VDC D150PS75/3/301 (1 per kit)	
		Washer M4 A2 DIN 125A (2 per kit)	
		Nut M4 A2 DIN 982 (2 per kit)	
8a	95.0067.00	Cap (1 per kit)	1
9	34.0126.00	SOLENOID VALVE CONNECTOR	1
10	95.0061.00	SOLUTION HOSE KIT CONSISTING OF:	1
		Solution Hose L=360 (1 per kit)	
		Solution Hose L=400 (1 per kit)	
		Solution Hose L=560 (1 per kit)	
11	04-3918-0000	GEL BATTERY 12V 25Ah	2
12	95.0069.00	BATTERY CONNECTION CABLE KIT CONSISTING OF:	1
		Cover (4 per kit)	
		Battery Connection Cable (2 per kit)	



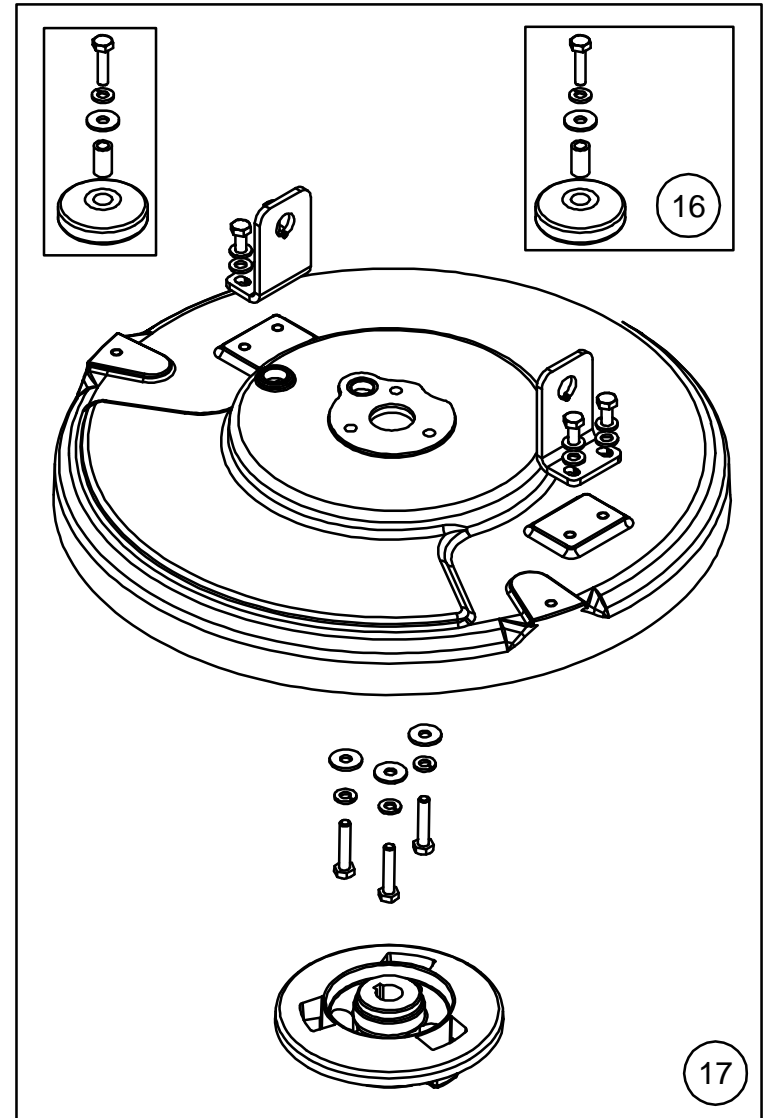
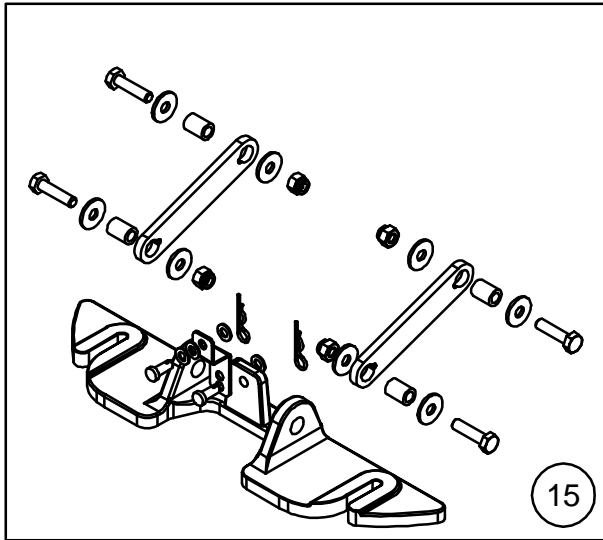
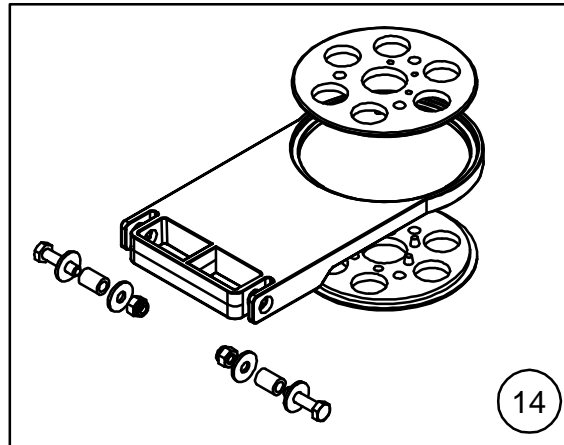
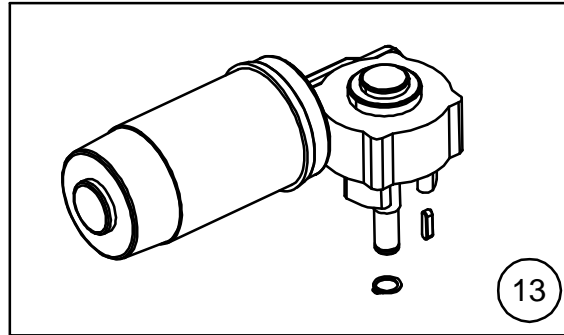
Tacony CFC

ORBIS BATTERY SCRUBBER DRIER

DRAWING NO: 09-1125-0000 SHEET 1 - CHASSIS ASSEMBLY

MACHINE:	OBS38130			
REF. PARTS LIST:	OBS38130 ISSUE 1			
SERIES:	A			
REVISION	ECN #	DESCRIPTION OF CHANGE	MOD. BY	DATE
A	-	ORIGINAL ISSUE	-	27 SEPT 10

Ref. No.	Part No.	Part Description	Qty
DRAWING SHEET 2: BRUSH HEAD ASSEMBLY			
13	95.0032.00	BRUSH MOTOR KIT CONSISTING OF:	1
		Brush Motor 250W 24V + CONNETTORE IP44 (1 per kit)	
		Shaft Key 5X5X20 UNI 6604 A2 (1 per kit)	
		Circlip UNI 7435 D.15 E A2 (1 per kit)	
14	95.0033.00	FULCRUM ARM ASSEMBLY CONSISTING OF:	1
		Fulcrum (2 per kit)	
		Fulcrum Arm Bracket (1 per kit)	
		Washer D.6X18 A2 DIN9021N (4 per kit)	
		Screw M 6X25 A2 DIN 933 (2 per kit)	
		Bush (2 per kit)	
		Nut M6 A2 DIN 982 (2 per kit)	
15	95.0034.00	SQUEEGEE SUPPORT ASSEMBLY CONSISTING OF:	1
		Washer D.6X18 A2 DIN9021N (8 per kit)	8
		Screw M 6X25 A2 DIN 933 (5 per kit)	5
		Washer D6 A2 DIN 125A (2 per kit)	2
		Fulcrum Arm Bar (2 per kit)	2
		Squeegee Support (1 per kit)	1
		Bush (4 per kit)	4
		Nut M6 A2 DIN 982 (5 per kit)	5
		Connection to squeegee lift cable (1 per kit)	1
		Coupling (2 per kit)	2
		Washer D5 A2 DIN 125A (4 per kit)	4
		Spring split pin (2 per kit)	2
16	95.0035.00	BUMPER ASSEMBLY CONSISTING OF:	1
		Washer D.6X18 A2 DIN9021N (2 per kit)	
		Washer D 6 A2 DIN 127 (2 per kit)	
		Bumper Spacer (2 per kit)	
		Bumper (2 per kit)	
		Screw M 6X25 A2 DIN 933 (2 per kit)	
17	95.0036.00	BRUSH COVER ASSEMBLY (MALISH CLUTCH) CONSISTING OF:	1
		Brush Cover (1 per kit)	
		Washer D.6X18 A2 DIN9021N (3 per kit)	
		Washer D 6 A2 DIN 127 (7 per kit)	
		Screw M 6X30 A2 DIN 933 (3 per kit)	
		Brush Cover Angle Bracket (2 per kit)	
		Washer D6 A2 DIN 125A (4 per kit)	
		Malish Clutch (1 per kit)	
		Screw M 6X16 A2 DIN 933 (4 per kit)	



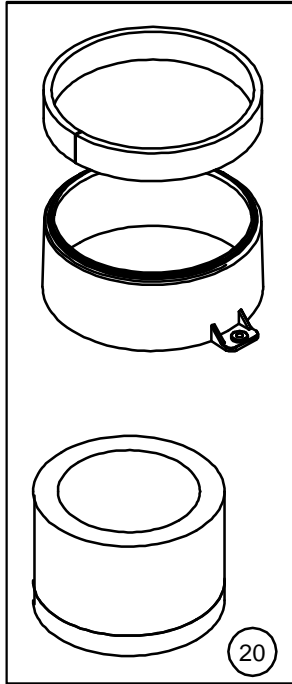
Tacony CFC

ORBIS BATTERY SCRUBBER DRIER

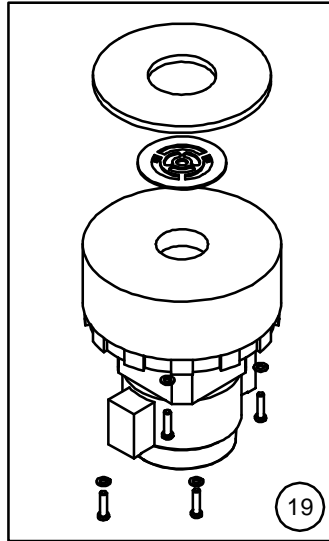
DRAWING NO: 09-1125-0000 SHEET 2 - BRUSH HEAD ASSEMBLY

MACHINE:	OBS38130		
REF. PARTS LIST:	OBS38130 ISSUE 1		
SERIES:	A		
REVISION	ECN #	DESCRIPTION OF CHANGE	MOD. BY
A	-	ORIGINAL ISSUE	-
			DATE
			27 SEPT 10

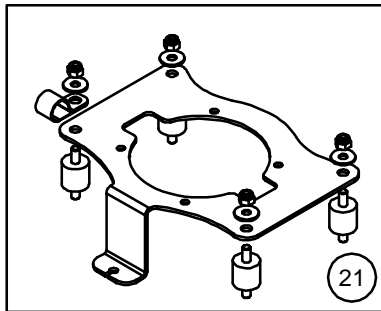
Ref. No.	Part No.	Part Description	Qty
		DRAWING SHEET 3: SOLUTION TANK AND VACUUM MOTOR ASSEMBLY	
18	95.0037.00	SOLUTION TANK KIT CONSISTING OF:	1
		Solution Tank RAL9005 (1 per kit)	
		Washer D 6 A2 DIN 127 (4 per kit)	
		Nut M 6 A2 DIN 982 (4 per kit)	
		Cap (2 per kit)	
		Washer D.6X18 A2 DIN9021N (6 per kit)	
		Solution Tank Fixing Plate (2 per kit)	
		Washer D6 A2 DIN 125A (2 per kit)	
		Screw M 6X12 A2 DIN 933 (2 per kit)	
		Screw M6X20 A2 DIN 933 (2 per kit)	
		Elbow Connector 3/8" D.12 (1 per kit)	
		Hose Connector D.12 (1 per kit)	
		Elbow Connection Tank Drain 3/8" to tube D. 8 (1 per kit)	
		Screw M6X35 A2 DIN 933 (2 per kit)	
19	95.0038.00	VACUUM MOTOR KIT CONSISTING OF:	1
		Vacuum Motor 2ST 24VDC 250W UL + IP44 (1 per kit)	
		Vacuum Motor Protection Grid (1 per kit)	
		Vacuum Motor Gasket (1 per kit)	
		Screw M5X22 (4 per kit)	
		Washer D5 A2 DIN 127 (4 per kit)	
20	95.0039.00	VACUUM AIR FLOW & SOUND PROOFING KIT CONSISTING OF:	1
		Sound Proofing (1 per kit)	
		Air Flow Breaker (1 per kit)	
		Foam Ring (1 per kit)	
21	95.0040.00	VACUUM MOTOR HOLDER KIT CONSISTING OF:	1
		Anti Vibration Mounts 20X20 M6X12 (4 per kit)	
		Vacuum Motor Holder (1 per kit)	
		Washer D.6X18 A2 DIN9021N (4 per kit)	
		Nut M 6 A2 DIN 982 (4 per kit)	
		Cable Clamp (1 per kit)	
22	30.0024.00	SOLUTION TANK FILLING HOSE1	1



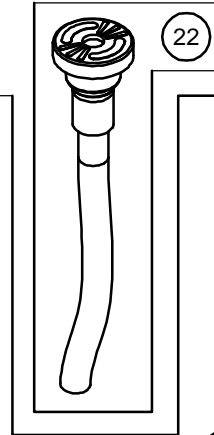
20



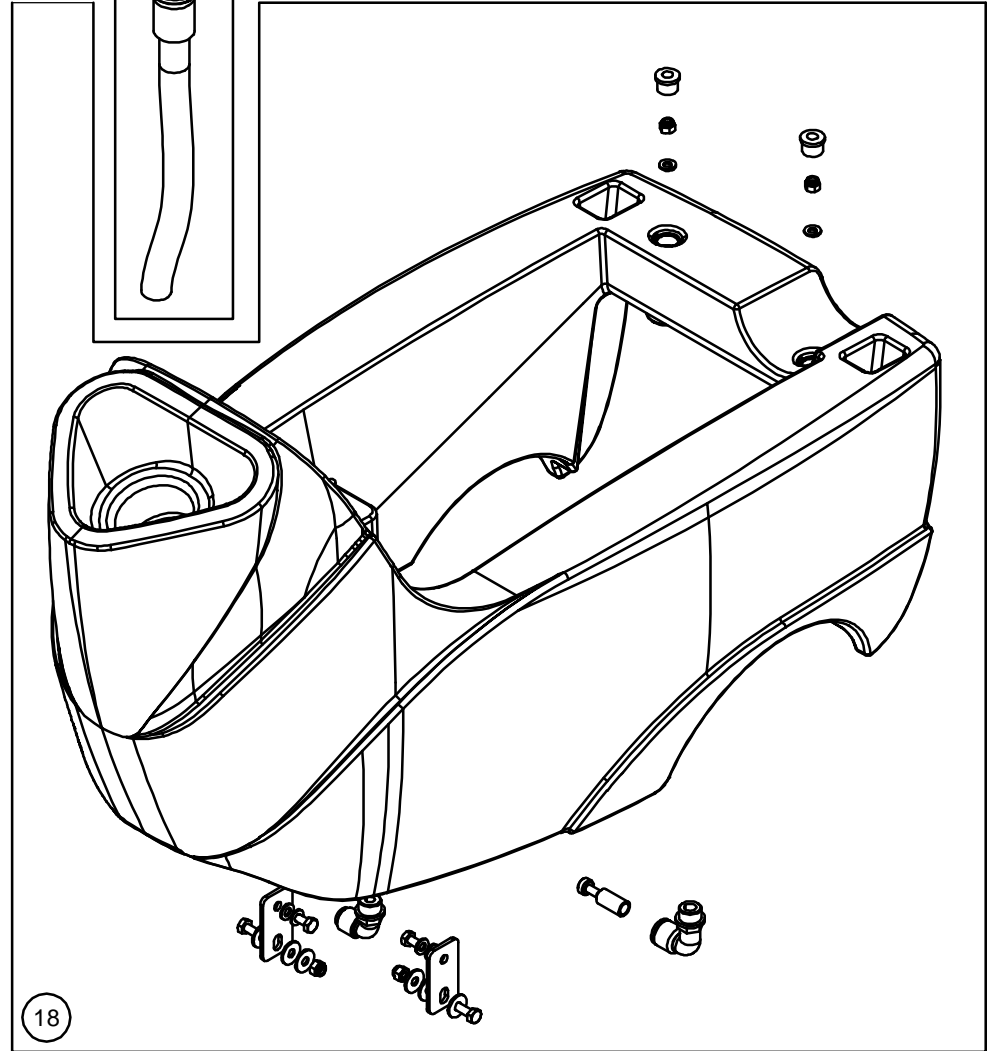
19



21



22



18

Tacony CFC

ORBIS BATTERY SCRUBBER DRIER

DRAWING NO: 09-1125-0000 SHEET 3 - SOLUTION TANK AND VACUUM MOTOR ASSEMBLY

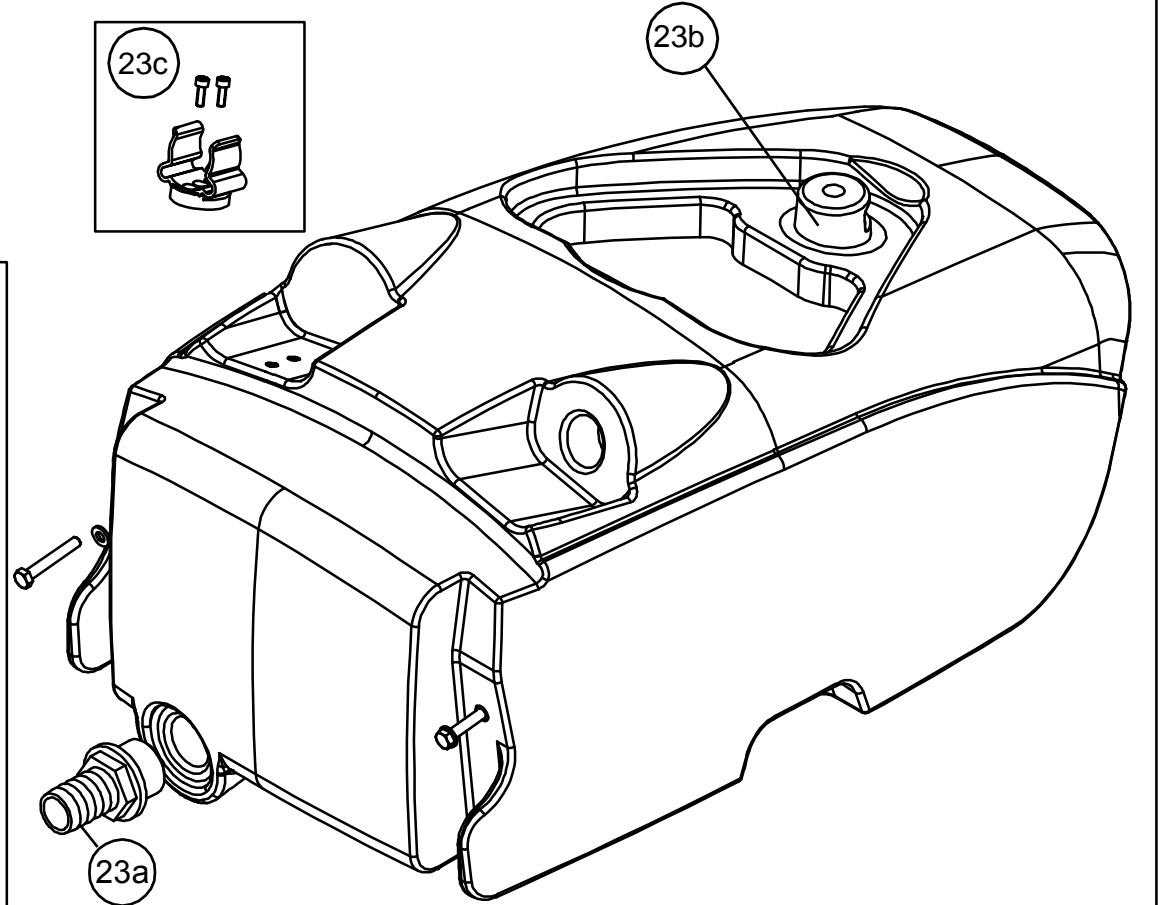
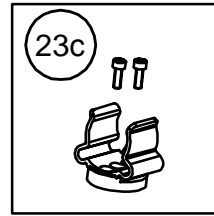
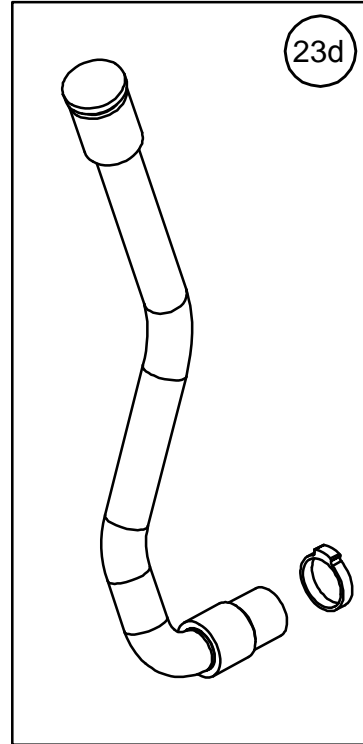
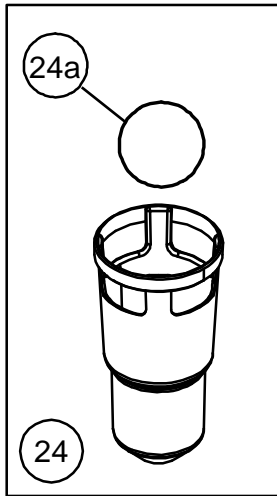
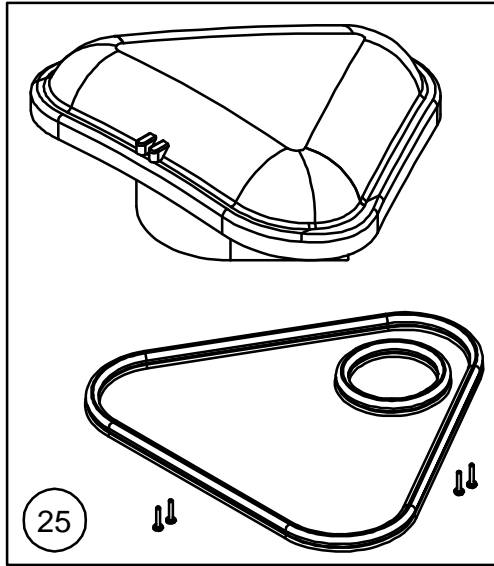
MACHINE: OBS38130

REF. PARTS LIST: OBS38130 ISSUE 1

SERIES: A

REVISION	ECN #	DESCRIPTION OF CHANGE	MOD. BY	DATE
A	-	ORIGINAL ISSUE	-	27 SEPT 10

Ref. No.	Part No.	Part Description	Qty
DRAWING SHEET 4: RECOVERY TANK ASSEMBLY			
23	95.0041.00	RECOVERY TANK ASSEMBLY CONSISTING OF:	1
		Recovery Tank Truvox RAL 5021 Water Blue (1 per kit)	
		Washer D 6 A2 DIN 125A (2 per kit)	
		Screw M 6X40 A2 DIN 933 (2 per kit)	
23a	24.0162.00	Protection Cap	1
23b	30.0096.00	Hose Connector 1"-DN25	1
23c	95.0042.00	DRAIN HOSE CLAMP KIT CONSISTING OF:	1
		Drain Hose Clamp 29-33 (1 per kit)	
		Screw M4X12 A2 DIN 912 (2 per kit)	
23d	95.0043.00	DRAIN HOSE KIT CONSISTING OF:	1
		Drain Hose D.25 L=500 (1 per kit)	
		Hose Clamp (1 per kit)	
24	95.0045.00	VACUUM MOTOR FLOAT CAGE ASSEMBLY CONSISTING OF:	1
		Cone (1 per kit)	
24a	24.0138.00	Ball D.35 (1 per kit)	1
25	95.0044.00	INSPECTION CAP ASSEMBLY CONSISTING OF:	1
		Inspection Cap (1 per kit)	
		Screw M2,2X13 A2 DIN 7991C (4 per kit)	
		Inspection Cap Gasket (1 per kit)	
		Protection Cap Gasket (1 per kit)	



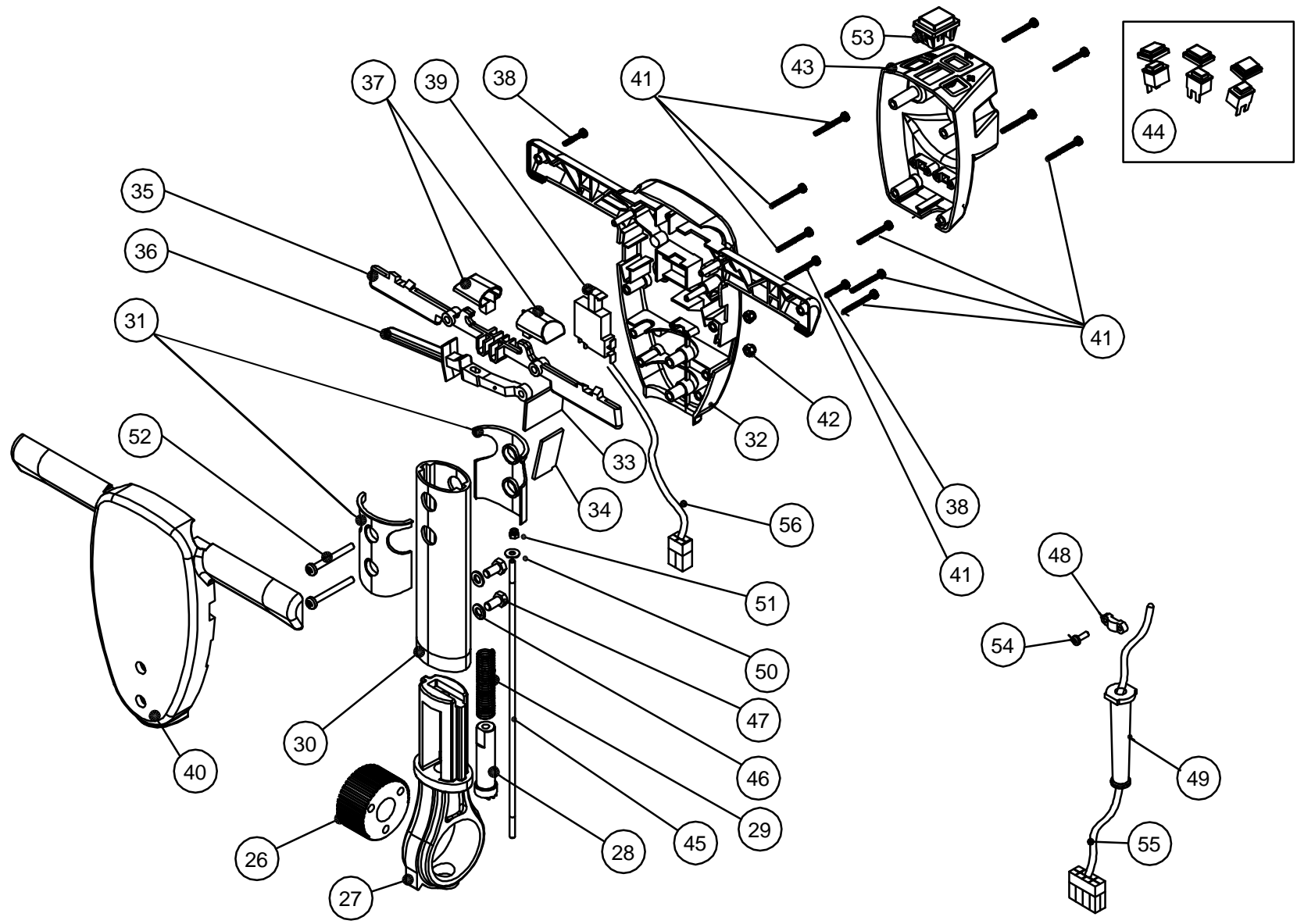
Tacony CFC

ORBIS BATTERY SCRUBBER DRIER

DRAWING NO: 09-1125-0000 SHEET 4 - RECOVERY TANK ASSEMBLY

MACHINE:	OBS38130		
REF. PARTS LIST:	OBS38130 ISSUE 1		
SERIES:	A		
REVISION	ECN #	DESCRIPTION OF CHANGE	MOD. BY
A	-	ORIGINAL ISSUE	-
			DATE
			27 SEPT 10

Ref. No.	Part No.	Part Description	Qty
	DRAWING SHEET 5: HANDLE ASSEMBLY		
26	03-6096-0000	Handle Adjusting Gear1	1
27	03-7831-0000	Aluminium Knuckle1	1
28	03-6097-0000	Handle Adjusting Gear Dog1	1
29	02-3511-0000	Gear Dog Spring1	1
30	03-8228-0000	TON 1	1
31	03-6091-0000	Handle Rubber Boot2	2
32	03-6087-0067	Handle Case Rear RAL90051	1
33	03-7917-0067	Solution Trigger Blanking Plate RAL90051	1
34	03-6693-0067	Handle Socket Blanking Plate RAL90051	1
35	03-6090-0067	Trigger Left & Right RAL90052	2
36	03-6089-0067	Gear Lever RAL90051	1
37	03-6092-0067	Interlock RAL90052	2
38	02-3517-0000	Self Tapper2	2
39	04-3237-0000	Switch1	1
40	03-6086-0067	Handle Case Front RAL90051	1
41	02-3516-0000	Self Tapper11	11
42	23.0044.00	Nut M 6 A2 DIN 9822	2
43	24.0168.00	Operator Panel1	1
44	95.0018.00	PUSH BUTTON KIT CONSISTING OF:	1
		Push Button (3 per kit)	
		Push Button Cover (3 per kit)	
45	33.0128.00	Adjusting Gear Rod1	1
46	23.0009.00	Washer D8 A2 DIN 125A1	1
47	23.0047.00	Screw M8X16 A2 DIN 9331	1
48	12-109	Cable Restraint1	1
49	12-118	Cable Strain Relief1	1
50	23.0043.00	Washer D.5X15 A2 DIN9021N1	1
51	23.0041.00	Nut M 5 A2 DIN 9821	1
52	00-0655-0011	Screw Pan Head M6x552	2
53	34.0240.00	Battery Level Indicator1	1
54	13-922	Screw M 4,5X20 1	1
55	34.0237.00	Power cord from handle to main board1	1
56	34.0226.00	Power cord from brush switch to handle power cord1	1



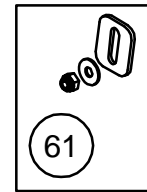
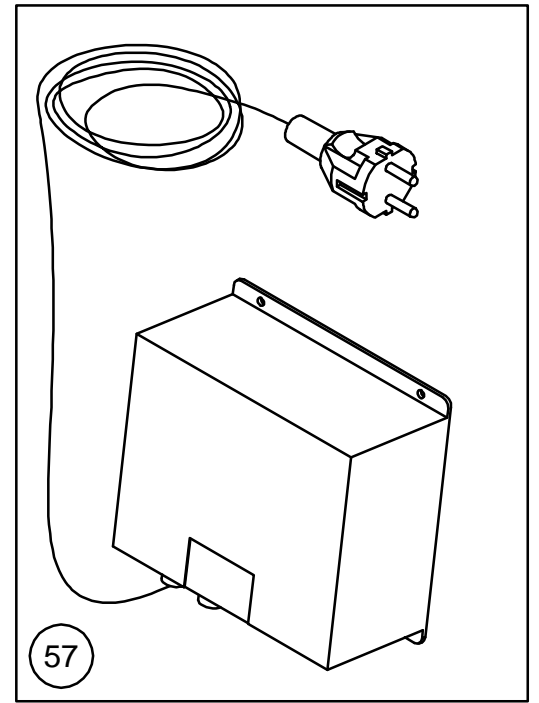
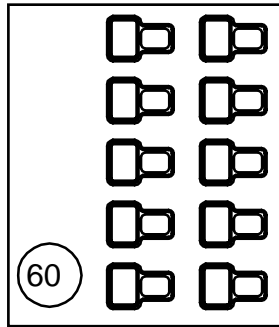
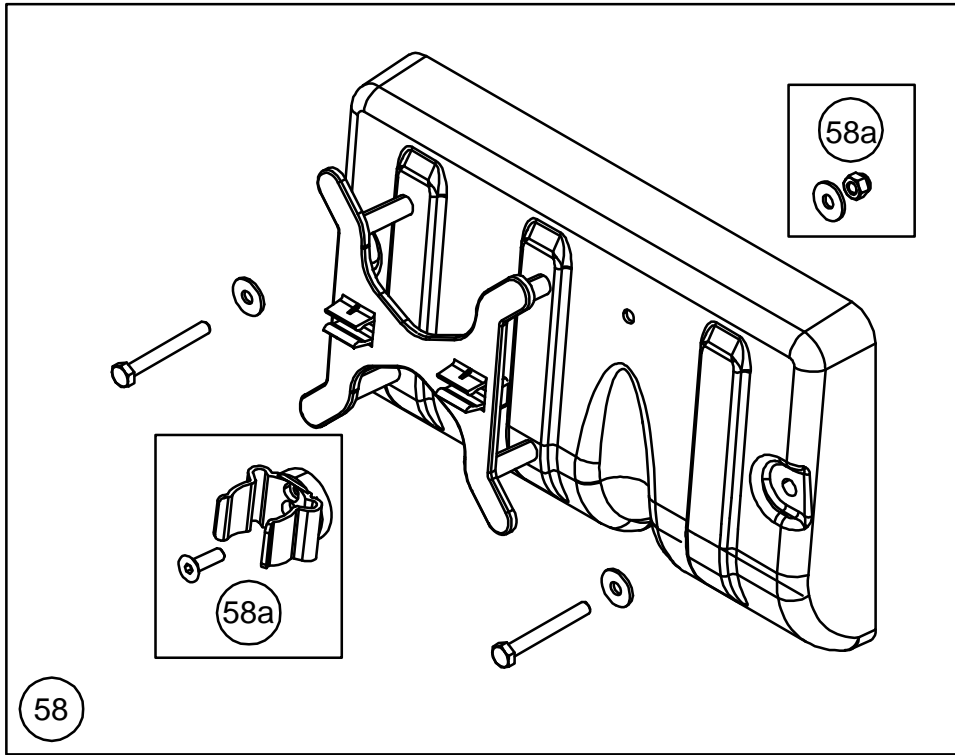
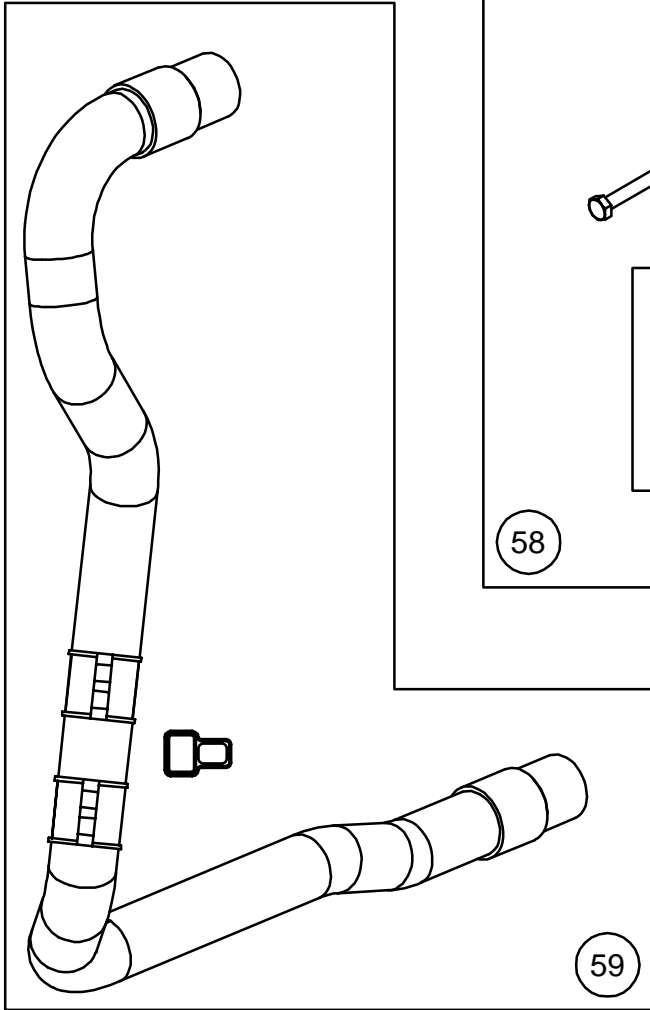
Tacony CFC

ORBIS BATTERY SCRUBBER DRIER

DRAWING NO: 09-1125-0000 SHEET 5 - HANDLE ASSEMBLY

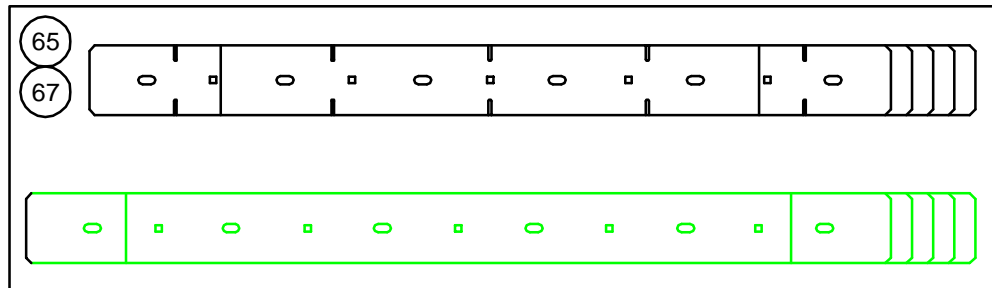
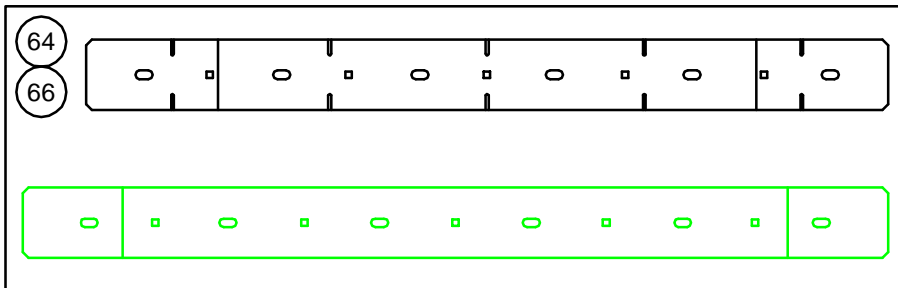
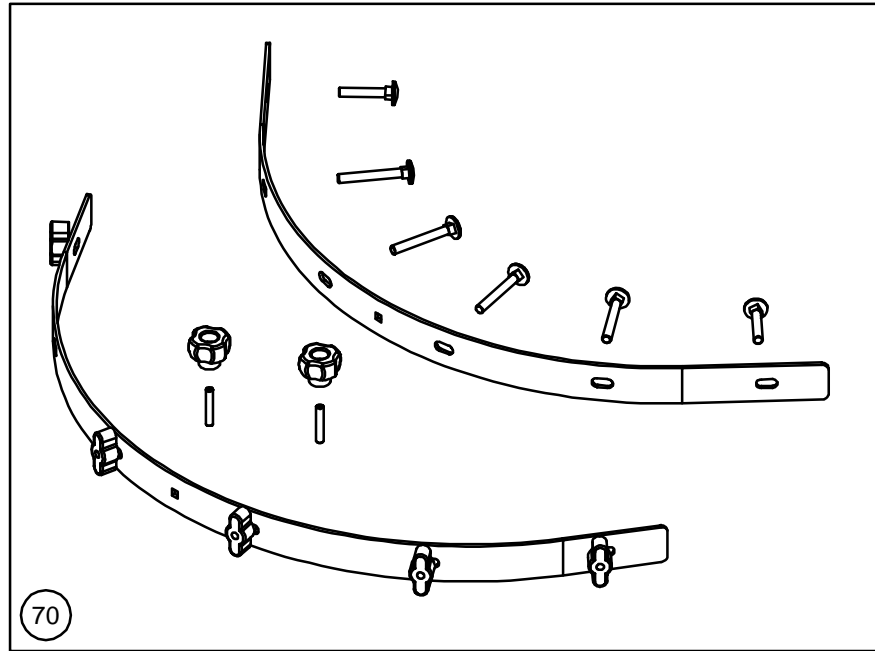
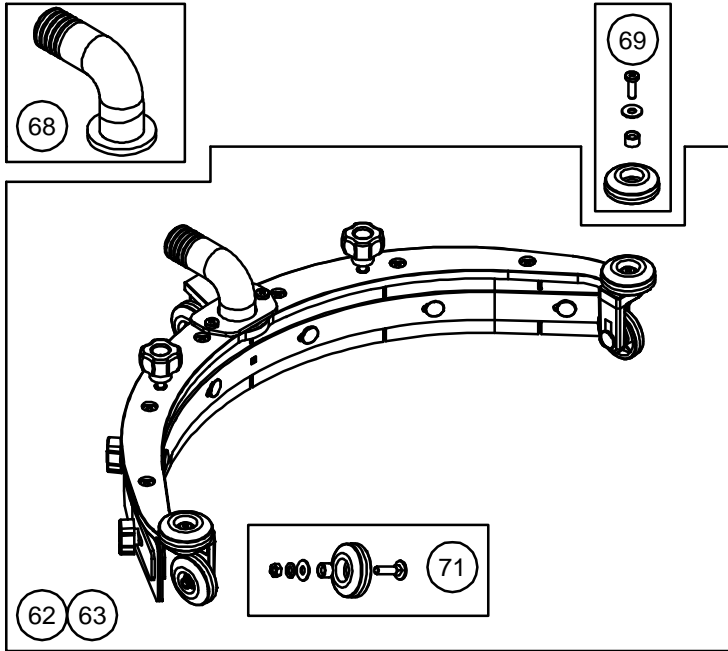
MACHINE:	OBS38130			
REF. PARTS LIST:	OBS38130 ISSUE 1			
SERIES:	A			
REVISION	ECN #	DESCRIPTION OF CHANGE	MOD. BY	DATE
A	-	ORIGINAL ISSUE	-	27 SEPT 10

Ref. No.	Part No.	Part Description	Qty
		DRAWING SHEET 6: CHARGER AND REAR COVER ASSEMBLY	
57	18.0036.00	UK only: Gel Battery Charger 24V 4.5Ah UK plug	1
57	04-3952-0000	Euro only: Gel Battery Charger 24V 4.5Ah Euro plug	1
57	04-3959-0000	Aus only: Gel Battery Charger 24V 4.5Ah OZ plug	1
58	95.0046.00	REAR COVER ASSEMBLY CONSISTING OF:	1
		Rear cover with cable hook (1 per kit)	
		Screw M 6X50 A2 DIN 933 (2 per kit)	
58a	95.0047.00	VACUUM HOSE CLIP KIT CONSISTING OF:	1
		Vacuum Hose Clamp (1 per kit)	
		Screw M 6X20 A2 DIN 7991 (1 per kit)	
		Washer D.6X18 A2 DIN9021N (1 per kit)	
		Nut M 6 A2 DIN 982 (1 per kit)	
59	95.0070.00	VACUUM HOSE KIT CONSISTING OF:	1
		Vacuum Hose D.25 L=1200 (1 per kit)	
		Clamps (2 per kit)	
		Vacuum Hose Elastic Tie (1 per kit)	
60	95.0068.00	VACUUM HOSE ELASTIC TIE KIT (10 per kit)	1
61	95.0063.00	CHARGER FIXING KIT CONSISTING OF:	1
		Fixing Plate (1 per kit)	
		Nut M 4 A2 DIN 982 (1 per kit)	
		Washer D.4X12 A2 DIN9021N (1 per kit)	



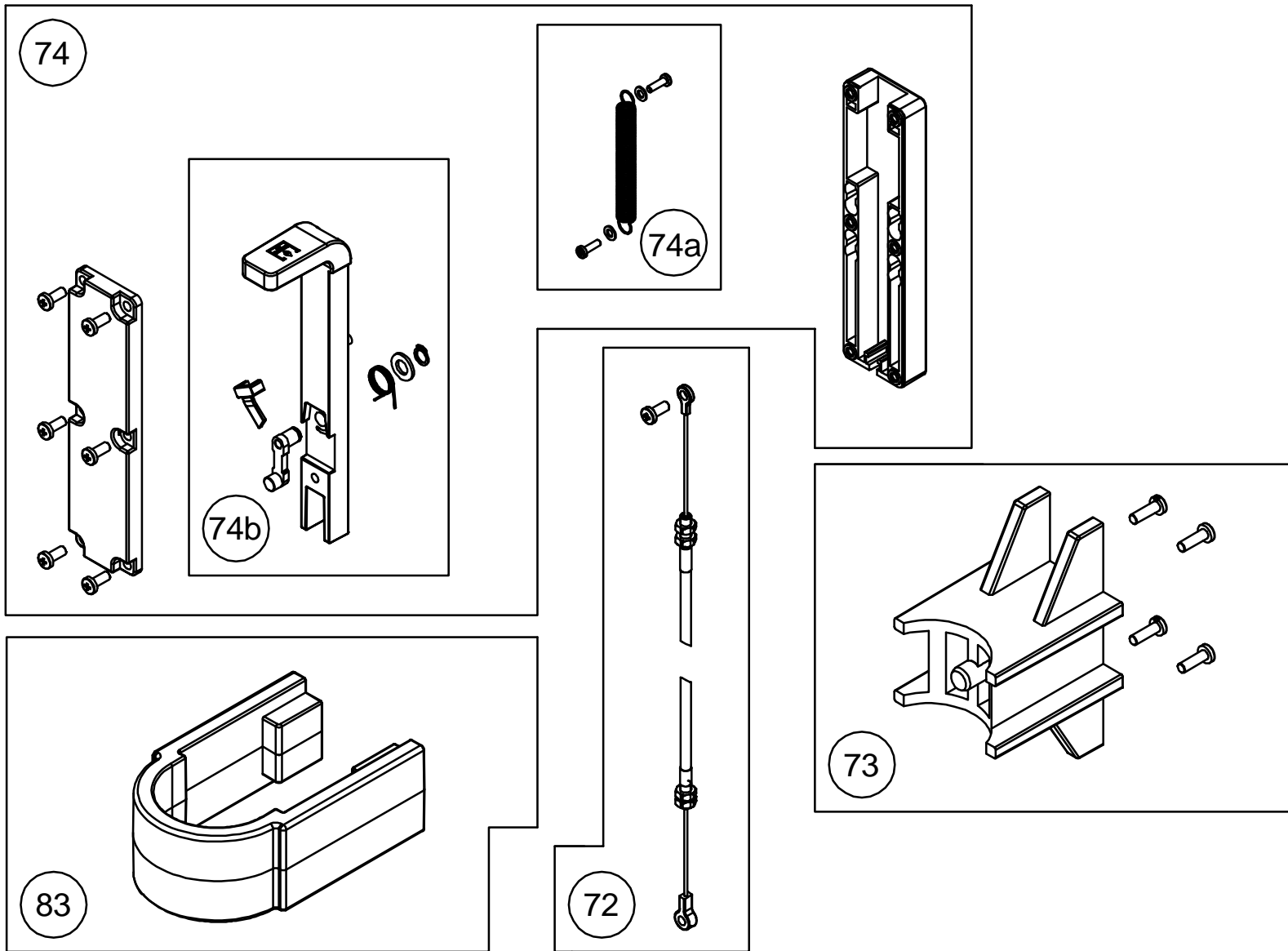
Tacony CFC		ORBIS BATTERY SCRUBBER DRIER		
DRAWING NO: 09-1125-0000 SHEET 6- CHARGER AND REAR COVER ASSEMBLY				
MACHINE:	OBS38130			
REF. PARTS LIST:	OBS38130 ISSUE 1			
SERIES:	A			
REVISION	ECN #	DESCRIPTION OF CHANGE	MOD. BY	DATE
A	-	ORIGINAL ISSUE	-	27 SEPT 10

Ref. No.	Part No.	Part Description	Qty
DRAWING SHEET 7: SUCTION BEAM ASSEMBLY			
62	22.0134.01	COMPLETE SQUEEGEE ASSEMBLY WITH PARA BLADES	1
63	22.0134.00	COMPLETE SQUEEGEE ASSEMBLY WITH ANTI-OIL BLADES	1
64	95.0048.00	SQUEEGEE FRONT & REAR BLADES PARA (PAIR) CONSISTING OF: Front Squeegee Blade PARA (1 per kit) Rear Squeegee Blade PARA (1 per kit)	1
65	95.0049.00	SQUEEGEE FRONT & REAR BLADES PARA (5 PAIRS) CONSISTING OF: Front Squeegee Blade PARA (5 per kit) Rear Squeegee Blade PARA (5 per kit)	1
66	95.0050.00	SQUEEGEE FRONT & REAR BLADES ANTI-OIL (1 PAIR) CONSISTING OF: Front Squeegee Blade Anti-Oil (1 per kit) Rear Squeegee Blade Anti-Oil (1 per kit)	1
67	95.0051.00	SQUEEGEE FRONT & REAR BLADES ANTI-OIL (5 PAIRS) CONSISTING OF: Front Squeegee Blade Anti-Oil (5 per kit) Rear Squeegee Blade Anti-Oil (5 per kit)	1
68	30.0098.00	ELBOW CONNECTOR 1,1/4" DN 251	1
69	95.0052.00	BUMPER WHEEL ASSEMBLY CONSISTING OF: Washer D.5X15 A2 DIN9021N (2 per kit) Wheel (2 per kit) Spacer (2 per kit) Screw self tapper M5x16 (2 per kit)	1
70	95.0053.00	SQUEEGEE RETAINER KIT CONSISTING OF: Front retainer (1 per kit) Screw M 5X30 A2 DIN 603 (2 per kit) Screw M 5X40 A2 DIN 603 (4 per kit) Squeegee Blade Retainer Fastener (6 per kit) Rear Retainer (1 per kit) Squeegee Blade Assembly Fastener (2 per kit) Screw M5X30 A2 DIN 913 (2 per kit)	1
71	95.0054.00	SQUEEGEE BLADE WHEELS CONSISTING OF: Washer D.5X15 A2 DIN9021N (3 per kit) Wheel (3 per kit) Spacer (3 per kit) Screw M 5X20 A2 DIN 603 (3 per kit) Nut M5 UNI5588 A2 (3 per kit)	1



Tacony CFC		ORBIS BATTERY SCRUBBER DRIER			
DRAWING NO: 09-1125-0000 SHEET 7 - SUCTION BEAM ASSEMBLY					
MACHINE:	OBS38130				
REF. PARTS LIST:	OBS38130 ISSUE 1				
SERIES:	A				
REVISION	ECN #	DESCRIPTION OF CHANGE	MOD. BY	DATE	
A	-	ORIGINAL ISSUE	-	27 SEPT 10	

Ref. No.	Part No.	Part Description	Qty
DRAWING SHEET 8: SQUEEGEE LIFTING SYSTEM ASSEMBLY			
72	95.0055.00	SQUEEGEE LIFTING CABLE KIT CONSISTING OF:	1
		Squeegee Lifting Cable (1 per kit)	
		Screw 5X13 SP ZB (1 per kit)	
73	95.0058.00	CLAMP & SUPPORT KIT CONSISTING OF:	1
		Squeegee Lifting Clamp (1 per kit)	
		Squeegee Lifting Support (1 per kit)	
		Screw 5X16 SP INOX A2 (4 per kit)	
74	95.0059.00	LEVER ENCLOSURE KIT CONSISTING OF:	1
		Screw 5X13 SP ZB (6 per kit)	
		Enclosure (1 per kit)	
74a	95.0056.00	LEVER RETURN SPRING KIT CONSISTING OF:	1
		Spring (1 per kit)	
		Washer D4 DIN 125A (2 per kit)	
		Screw M3,5x13 DIN 7982C (2 per kit)	
74b	95.0057.00	LEVER KIT CONSISTING OF:	1
		Lever (1 per kit)	
		Spring (1 per kit)	
		Curser (1 per kit)	
		Spring (1 per kit)	
		Washer D8 A2 DIN 125A (1 per kit)	
		Circlip D8 E UNI7435 (1 per kit)	
Not Shown	95.0060.00	MACHINE WIRING KIT (NOT SHOWN ON DRAWINGS) CONSISTING	1
		Main board cable (1 per kit)	
		Brush motor cable (1 per kit)	
		Suction motor cable (1 per kit)	
		Handle cable (1 per kit)	
		Batteries connection cable (2 per kit)	
		Packging bag 250x350mm (1 per kit)	



Tacony CFC

ORBIS BATTERY SCRUBBER DRIER

DRAWING NO: 09-1125-0000 SHEET 8 - SQUEEGEE LIFTING SYSTEM ASSEMBLY

MACHINE:	OBS38130			
REF. PARTS LIST:	OBS38130 ISSUE 1			
SERIES:	A			
REVISION	ECN #	DESCRIPTION OF CHANGE	MOD. BY	DATE
A	-	ORIGINAL ISSUE	-	27 SEPT 10

	I	GB
A1	SCHEDA ELETTRONICA	MAIN BOARD
BAT	BATTERIA 2x12V	BATTERY 2x12V
U1	CARICA BATTERIE 5A	BATTERY CHARGER 5A
Y1	ELETTROVALVOLA	ELECTROVALVE
F1	FUSIBILE 30A (GENERALE)	MAIN FUSE 30A
M1	MOTORE ASPIRAZIONE	VACUUM MOTOR
M2	MOTORE SPAZZOLA	BRUSH MOTOR
P1	INTERRUTTORE ON/OFF	ON/OFF INTERRUPTOR
P2	PULSANTE SPAZZOLA	BRUSH START BUTTON
P3	INTERRUTTORE ASPIRAZIONE	VACCUM INTERRUPTOR
P4	INTERRUTTORE ELETTROVALVOLA	ELECTROVALVE INTERRUPTOR
R1	INDICATORE SCARICA	BATTERY LEVEL INDICATOR
CN1	CONNETTORE MANIGLIONE	HANDLE CONNECTOR
CN2	CONNETTORE CARICABATTERIE	BATTERY CHARGER CONNECTOR

