



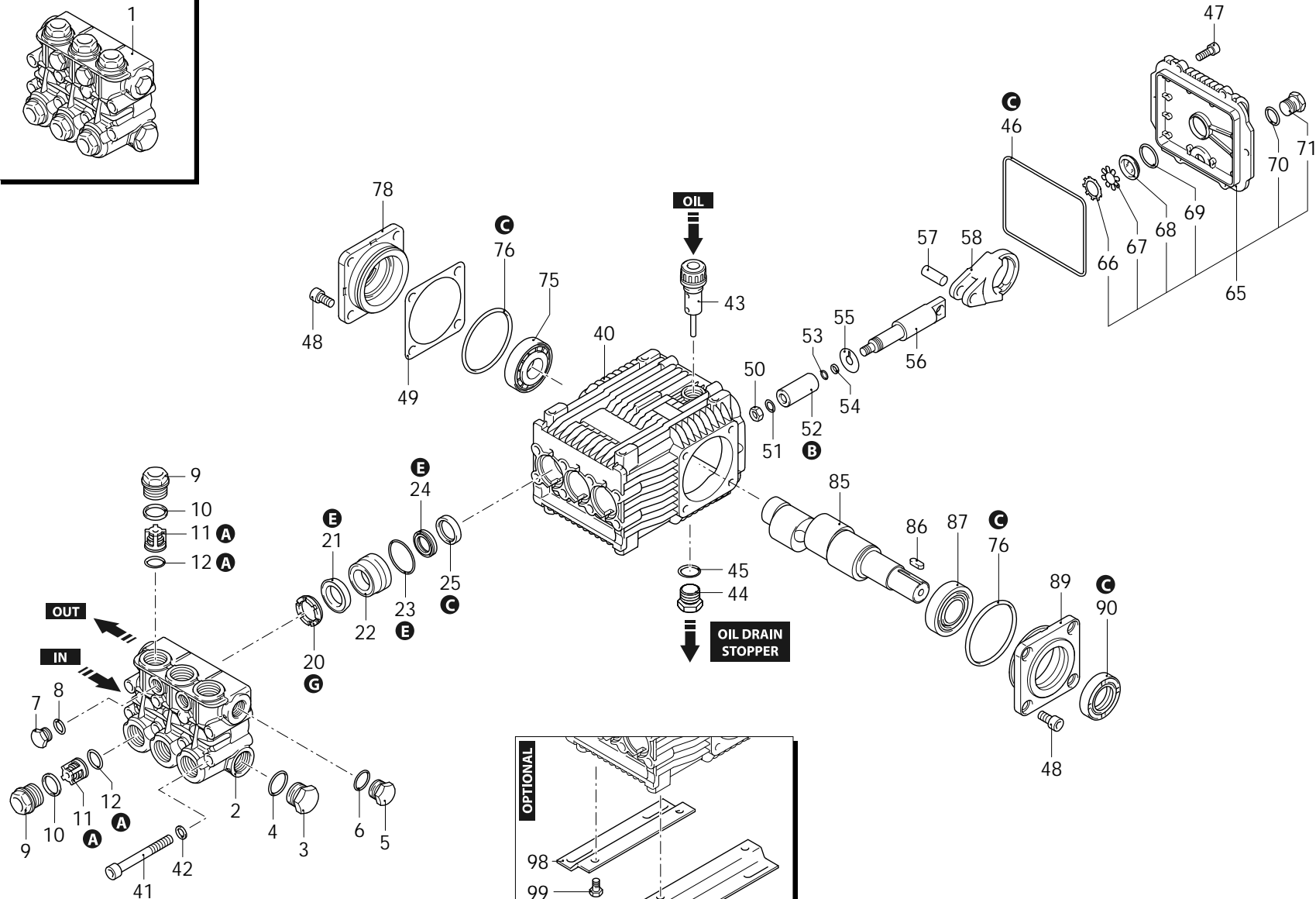
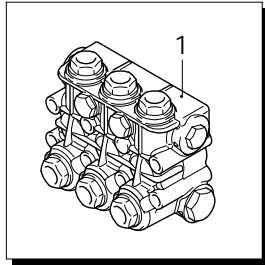
Series 228

RK

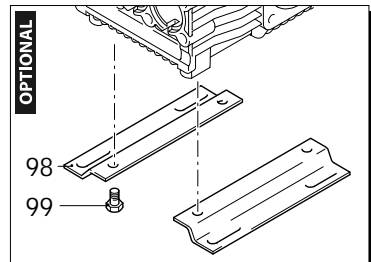
N

1450rpm

ø 24mm



- A**
- B**
- C**
- E**
- G**



AR-1_000056_v01

29/11/2021



Series 228

RK

N

1450rpm

ø 24mm

P	Code	Description	Q	Note	Validity	P	Code	Description	Q	Note	Validity
1	1389271	Head assembly	1			58	1383020	Connecting-rod	3	bronze	
2	1381070	Head	1			65	1789010	Cover	1	complete	
3	960870	Plug	1	Screw with Loxeal 55-14 / C=30Nm		66	1260430	Ring	1		
4	180101	O-ring	1	Lubricate with grease Molykote PG54		67	1780690	Plate	1		
5	1981180	Plug	1	Screw with Loxeal 55-14 / C=20Nm		68	1260250	Level gauge	1		
6	740290	O-ring	1	Lubricate with grease Molykote PG54		69	1140450	O-ring	1	Ø 20,24x2,62	Lubricate with grease Molykote PG54
7	1380690	Plug	1	Screw with Loxeal 55-14 / C=15Nm		70	740290	O-ring	1	Ø 14x1,78	Lubricate with grease Molykote PG54
8	820510	O-ring	1			71	1980740	Plug	1	3/8" G brass	C=20Nm
9	960850	Plug	6			75	2280340	Bearing	1		
10	960160	O-ring	6	Lubricate with grease Molykote PG54		76	640030	O-ring	2	Ø 59,99x2,62	
11	1389051	Complete valve	6			78	1380050	Support	1	open bearing	
12	880830	O-ring	6			85	2280060	Shaft	1	1 marked	
20	960110	Ring	3			86	1380520	Key	1		
21	1382740	Water seal	3	Lubricate with grease Molykote PG54		87	1383140	Bearing	1		
22	1380090	Piston guide	3			89	1380040	Support	1	open bearing	
23	961240	O-ring	3			90	2282260	Ring	1	seal	Assemble with tool [2281010]
24	880330	Water seal	3			98	1380141	Foot	2	C=20Nm	
25	880520	Ring	3			99	1263130	Screw	4	TE M8x12	C=20Nm
40	1382770	Pump body	1			A	2864	Valve kit	1		
41	820150	Screw	8			B	2757	Piston kit	1	Ø 18	
42	1381850	Washer	8			C	1855	Oil seal kit	1		
43	880130	Plug	1			E	1857	Water seal kit	1	Ø 18	
44	1980740	Plug	1	C=20Nm		E	2809	Water seal kit	1	Ø 18 Viton	
45	740290	O-ring	1	Lubricate with grease Molykote PG54		G	1829	Support ring kit	1	Ø 18	
46	1780510	O-ring	1								
47	1343510	Screw	6	C=10Nm							
48	850370	Screw	8	C=24,5Nm							
49	1380120	Shim 0.10mm	1								
49	1380130	Shim 0.19mm	1								
49	1380530	Shim 0.25mm	1								
50	962010	Nut	3								
51	962000	Washer	3	Screw with Loxeal 55-14 / C=20Nm							
52	1380940	Piston	3								
53	600180	O-ring	3								
54	1080401	Ring	3								
55	1380950	Plate	3								
56	1380920	Piston	3								
57	1380060	Pin	3								

Revision: 1

Oil type: SAE 15W40

Attachment:

Date: 29/11/2021

Oil quantity: 0,435 Kg

C=Tightening torque (Tolerance +0 ÷ -10%)

20640 - RK 15.28 H N