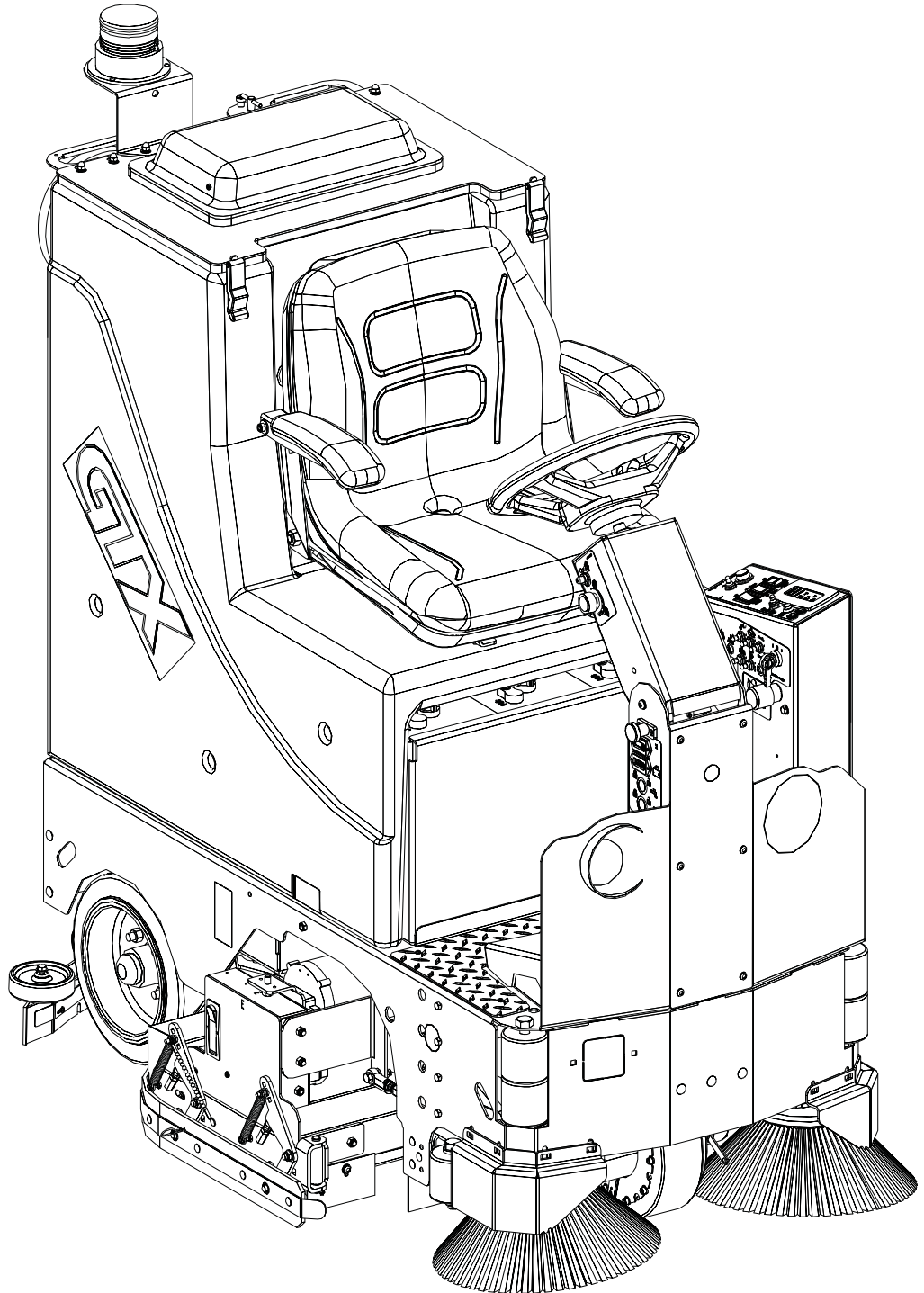


Version 15.0430

# PARTS MANUAL

# GTX SERIES



R.P.S. Corporation  
Phone: 1-800-450-9824  
P.O. Box 241  
Racine, Wisconsin 53401



Soap Choices .....4

Front Wheel Assembly - Serial Number #56484 and Greater .....6

Front Wheel Assembly - Serial Number #56483 and Lower.....8

Side Broom Assembly (optional) .....10

Front Wheel, Side Brooms, and Side Rollers .....12

28 Inch EDGE Deck .....14

32 Inch EDGE Deck .....16

Disk Decks.....18

Disk Shrouds .....20

Cylindrical Wipers.....21

Cylindrical Deck.....22

Cylindrical Door .....24

Attaching Decks.....26

Squeegee Trail Arm - Serial Number #55325 and Greater .....28

Squeegee Trail Arm - Serial Number #55324 and Lower .....30

32 Inch Squeegee .....32

35 Inch Squeegee .....34

38 Inch Squeegee .....36

45 Inch Squeegee .....38

Squeegee Trail Arm and Rear Axle .....40

Vac Motor .....42

Vac Motor and Solution Hoses .....44

Tank Lid .....46

Tank Baffle.....48

Solution/Recovery Tank - Serial Number #76765 and Greater .....50

Solution/Recovery Tank - Serial Number #76764 and Lower.....52

Attaching Tank and Batteries.....54

Attaching Tank, Batteries, and Charger Table .....55

Central Command .....56

Steering Upright.....58

Central Command and Steering Tower .....60

Disk Side Doors.....62

Cylindrical Side Doors .....63

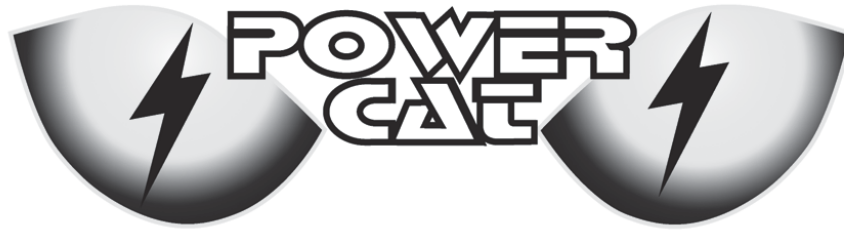
Vac Wand .....64

Spray Jet .....65

SUDS System.....66

Common wear parts .....68

Suggested parts inventory.....71



Industrial • Commercial • Environmentally Safe

**TRADITIONAL DRUMS / TOTES**



**DEMO / RENTAL QUARTS**



**WALL-MOUNTED SUPERCON**



**ONBOARD AUTO DISPENSING**



Onboard Availability

**FORMULAS**

**SUDS  
Approved**



**707 Citrus Green** An environmentally cleaner that works! It is a solvent free degreaser that works on oil, carbon, even rubber marks. Incorporates the latest technology in “Green Cleaning”.

**SUDS  
Approved**



**733 Low pH** Safe on most surfaces not harmed by water alone. Low scale formula to prevent alkali buildup in cleaning equipment, while offer detergent to emulsify oil.

**SUDS  
Approved**



**755 High Power** Ideal solvent fortified degreaser. This butyl based detergent is penetrating, fast acting, and deep cleaning with built-in corrosion inhibitors. It is our most effective degreaser.

**SUDS  
Approved**



**757 Gloss** A high gloss detergent designed to dry to a bright shine. It is ideal for use on finished surfaces, tile, epoxy, or enamel. The special formula removes salt residue, scuff marks and dirt, while leaving no residue behind. The result is a clean, non-slip surface, ready for immediate use.

**SUDS  
Approved**



**797 HD** The Heavy Duty concentrate is a Super alkaline detergent, formulated for heavy soil, grease, and thick buildup. Popular in machine shops, auto and truck repair, and other facilities with oil, hydraulic fluids and cutting oils.

*\*\*Below Sold in bulk concentrate only. Not available as a SuperCon, PowerDose or SUDS product.*

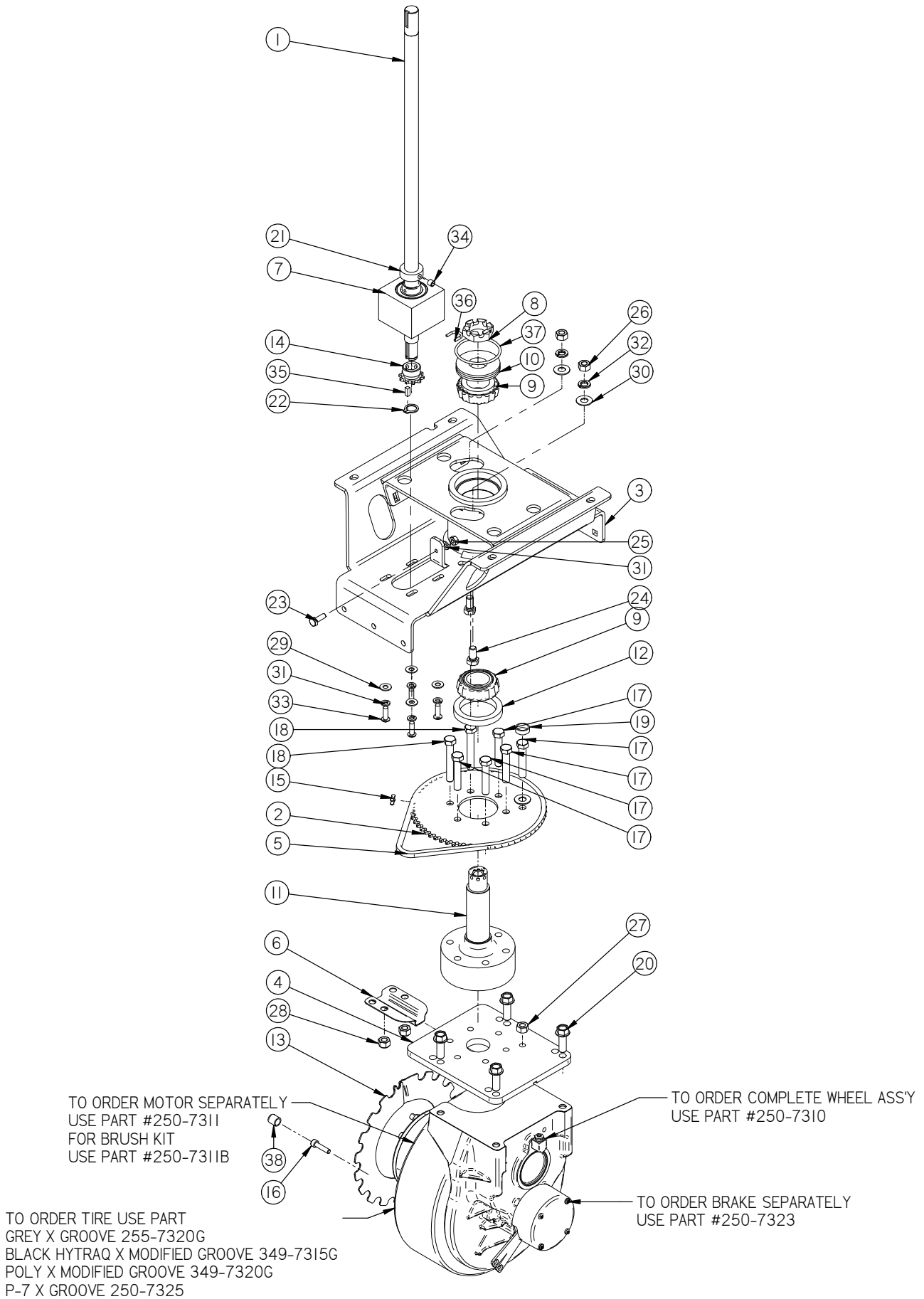
**727 Pretreat\*\*** Designed to quickly remove tire marks, oil stains and buildup that has accumulated. This pretreat uses the powerful cleaning of natural citrus extract and is intended to be used directly on the floor at 100% concentrate.

**744 Tough Stuff\*\*** Ideal for applications with Hard Water problems. It is safe to use in pressure washers and automatic scrubbers. The formulation enhances soil suspension, digests oil and grease, while supporting extra water conditioner.

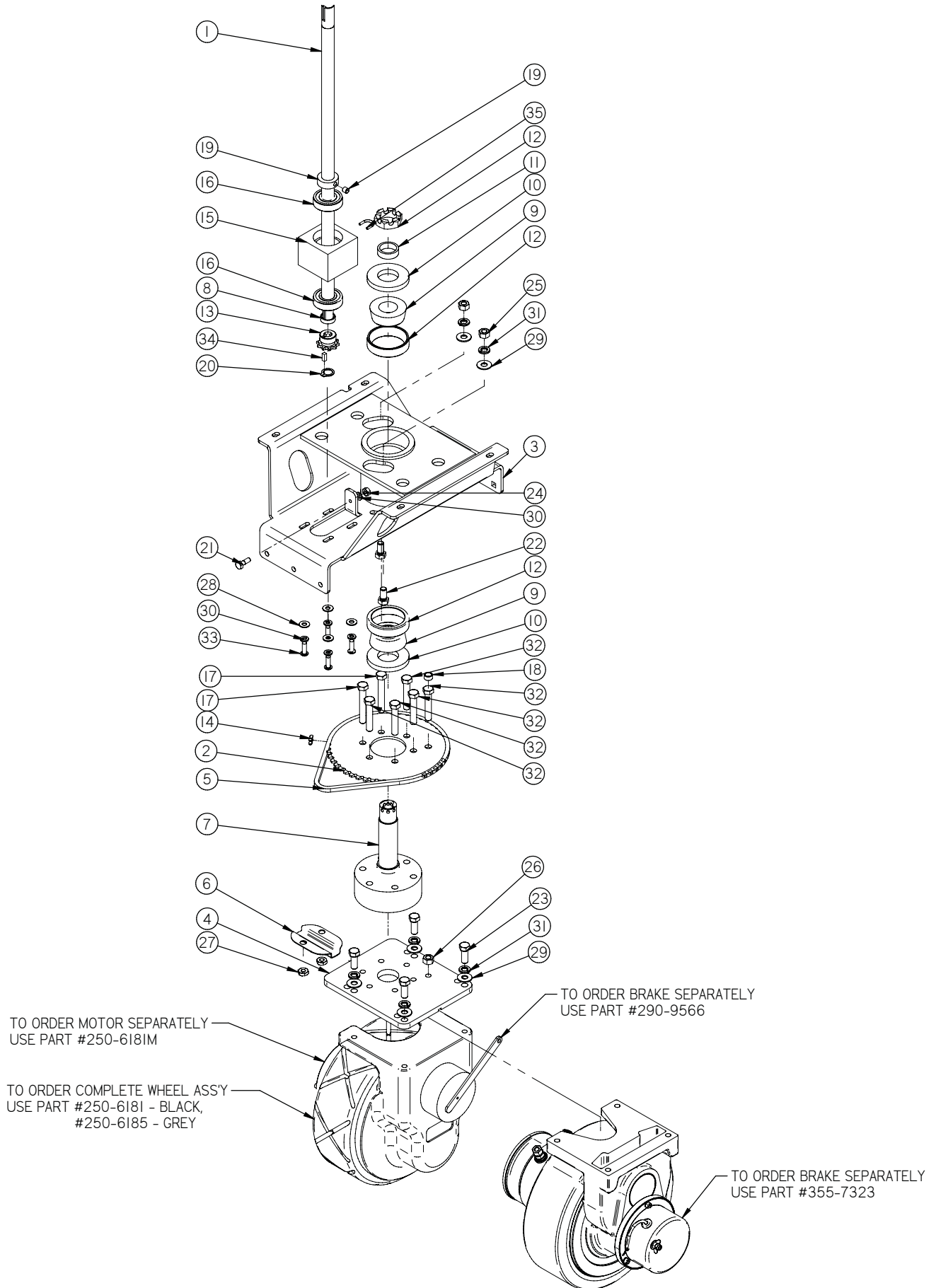
**PowerCat  
P.O. Box 503  
Racine, WI 53404-0503  
Phone: 414-745-9337  
Fax: 262-632-1630  
www.powercatsolutions.com**

**Distributed by:**

PowerCat, LLC, 2008.



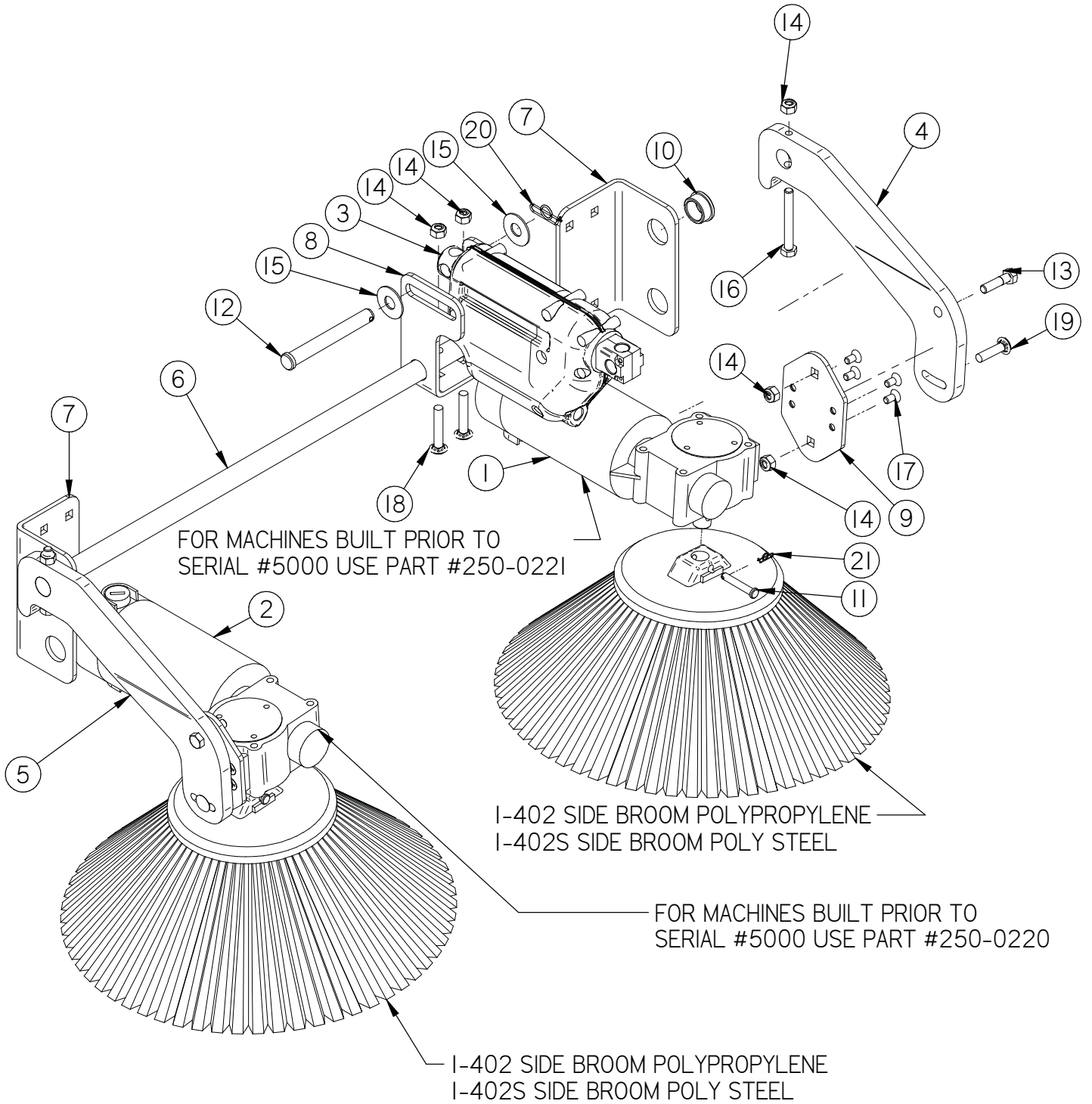
Item	Part No.	Part Description	Qty.
1	250-7120	STEERING SHAFT, LOWER	1
2	250-7314	60 TOOTH STEERING SPROCKET	1
3	250-7315A	10 INCH DROP PLATE	1
4	250-7326	PIVOT PLATE	1
5	250-7327	STEERING CHAIN	1
6	250-7328	WIRE GUIDE	1
7	349-7230A	BEARING BLOCK W/BEARINGS	1
8	37-7321	SLOTTED NUT, 2.0 - 12	1
9	370-7317	TAPERED ROLLER BEARING	2
10	370-7321	PRE LOAD SLEEVE	1
11	370-7332	1.25" DIA. STEERING SPINDLE	1
12	370-8374	BEARING SEAL	1
13	370-9557	DRIVE GUARD	2
14	5-826	10 TOOTH SPROCKET	1
15	5-831	MASTER LINK	1
16	H-0135920	SHC M6-1 X 25 ZINK	10
17	H-0172949	HCS 3/8"- 24 X 2" SS FULL THREADED	5
18	H-0172951	HCS 3/8"- 24 X 2-1/2" SS FULL THREADED	2
19	H-05233	PVC TUBING	1
20	H-11115680	FB CASHD M10-1.5 X 30mm	4
21	H-33376	SHAFT COLLAR, 3/4" ID X 9/16 LG	1
22	H-68013	SNAPRING 5/8"	1
23	H-70003	HCS 1/4"-20 X 3/4" SS	1
24	H-70103	HCS 3/8"-16 X 3/4" SS	2
25	H-70710	HN 1/4"- 20 SS	1
26	H-70712	HN 3/8"-16 SS	2
27	H-70732	HN 3/8"- 24 SS	1
28	H-70882	NYLOK 3/8"- 24 SS	2
29	H-71013	FW 1/4 ID X 5/8 OD SS	4
30	H-71017	FW 3/8 ID X 7/8 OD SS	3
31	H-71063	LW 1/4" SS	5
32	H-71067	LW 3/8" SS	2
33	H-73754	BHSCS 1/4 - 20 X 3/4" SS	4
34	H-81983	5/16" X 1/4" KURL SET SCREW	1
35	H-KI432	3/16" X 1/2" KEY	1
36	M-9381T24	S-HOOK	1
37	M-9452K66	.125 X 2.25 X 2.5 O-RING.par	1
38	M-97533KI6	VINYL CAP, 1/2"	10





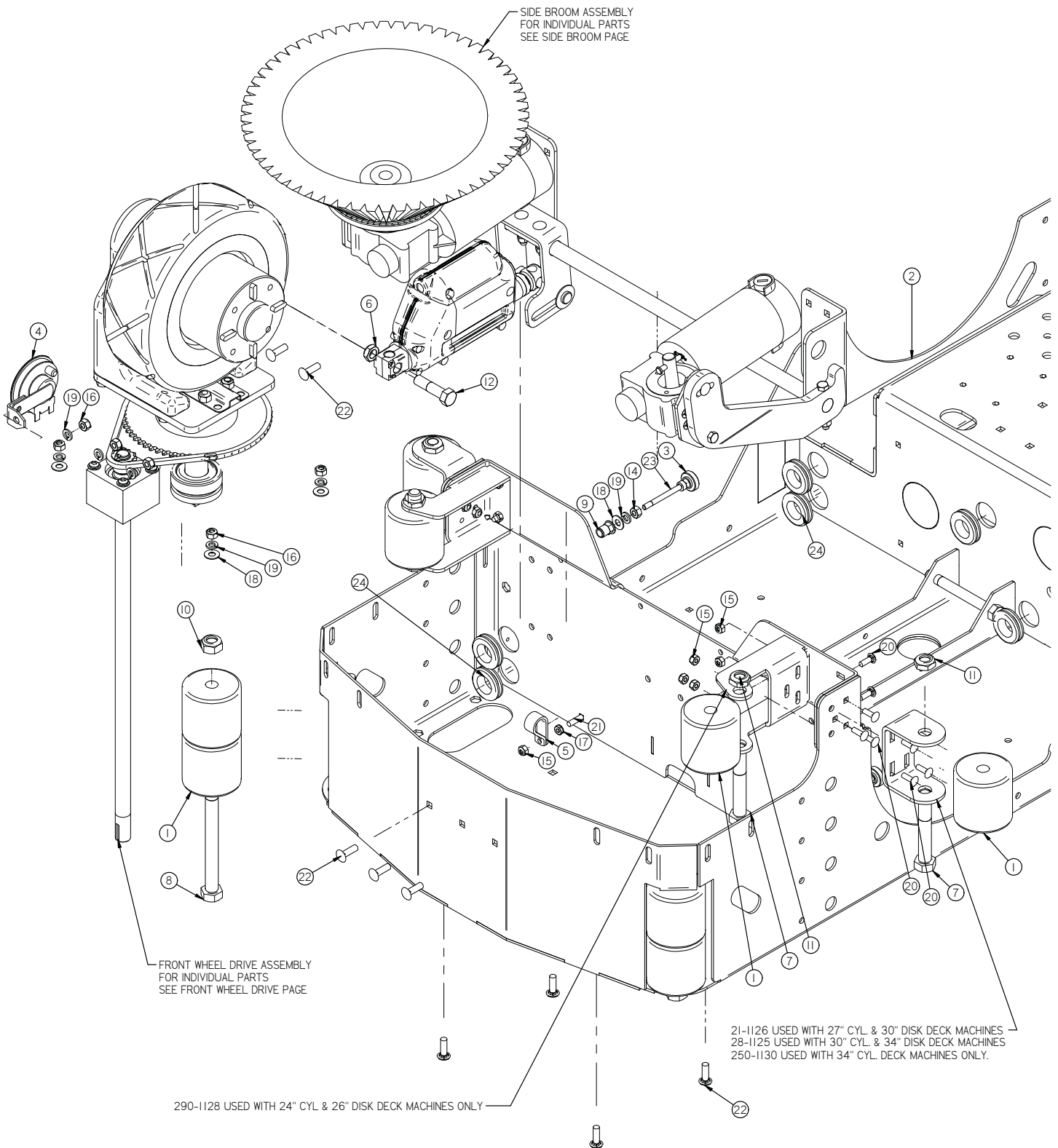
Item	Part No.	Part Description	Qty.
1	250-7120	STEERING SHAFT, LOWER	1
2	250-7314	60 TOOTH STEERING SPROCKET	1
3	250-7315A	DROP PLATE	1
4	250-7326	PIVOT PLATE	1
5	250-7327	STEERING CHAIN	1
6	250-7328	WIRE GUIDE	1
7	250-7332	STEERING SHAFT	1
8	290-1218	SPACER 7/8" OD. X 3/4" ID X 1/4" LG	1
9	37-7317	TAPERED ROLLER BEARING	2
10	37-7319	STEERING SHAFT SEAL	2
11	37-7320	PRE LOAD SLEEVE	1
12	37-7321	SLOTTED NUT, 2.0 - 12	1
13	5-826	10 TOOTH SPROCKET	1
14	5-831	MASTER LINK	1
15	8-723	BEARING BLOCK	1
16	8-723B	BEARING	2
17	H-0172951	HCS 3/8"- 24 X 2-1/2" SS FULL THREADED	2
18	H-05233	PVC TUBING	1
19	H-33376	.75 ID SHAFT COLLAR WITH SET SCREW	1
20	H-68013	SNAPRING 5/8"	1
21	H-70003	HCS 1/4"-20 X 3/4" SS	1
22	H-70103	HCS 3/8"-16 X 3/4" SS	2
23	H-70105	HCS 3/8"- 16 X 1" SS	4
24	H-70710	HN 1/4"- 20 SS	1
25	H-70712	HN 3/8"-16 SS	2
26	H-70732	HN 3/8"- 24 SS	1
27	H-70882	NYLOK 3/8"- 24 SS	2
28	H-71013	FW 1/4 ID X 5/8 OD SS	4
29	H-71017	FW 3/8 ID X 7/8 OD SS	6
30	H-71063	LW 1/4" SS	5
31	H-71067	LW 3/8" SS	6
32	H-72949	HCS 3/8"- 24 X 2" SS FULL THREADED	5
33	H-73754	BHSCS 1/4 - 20 X 3/4" SS	4
34	H-KI432	3/16" X 1/2" KEY	1
35	M-938IT24	S-HOOK	1

# 10 Side Broom Assembly (optional)

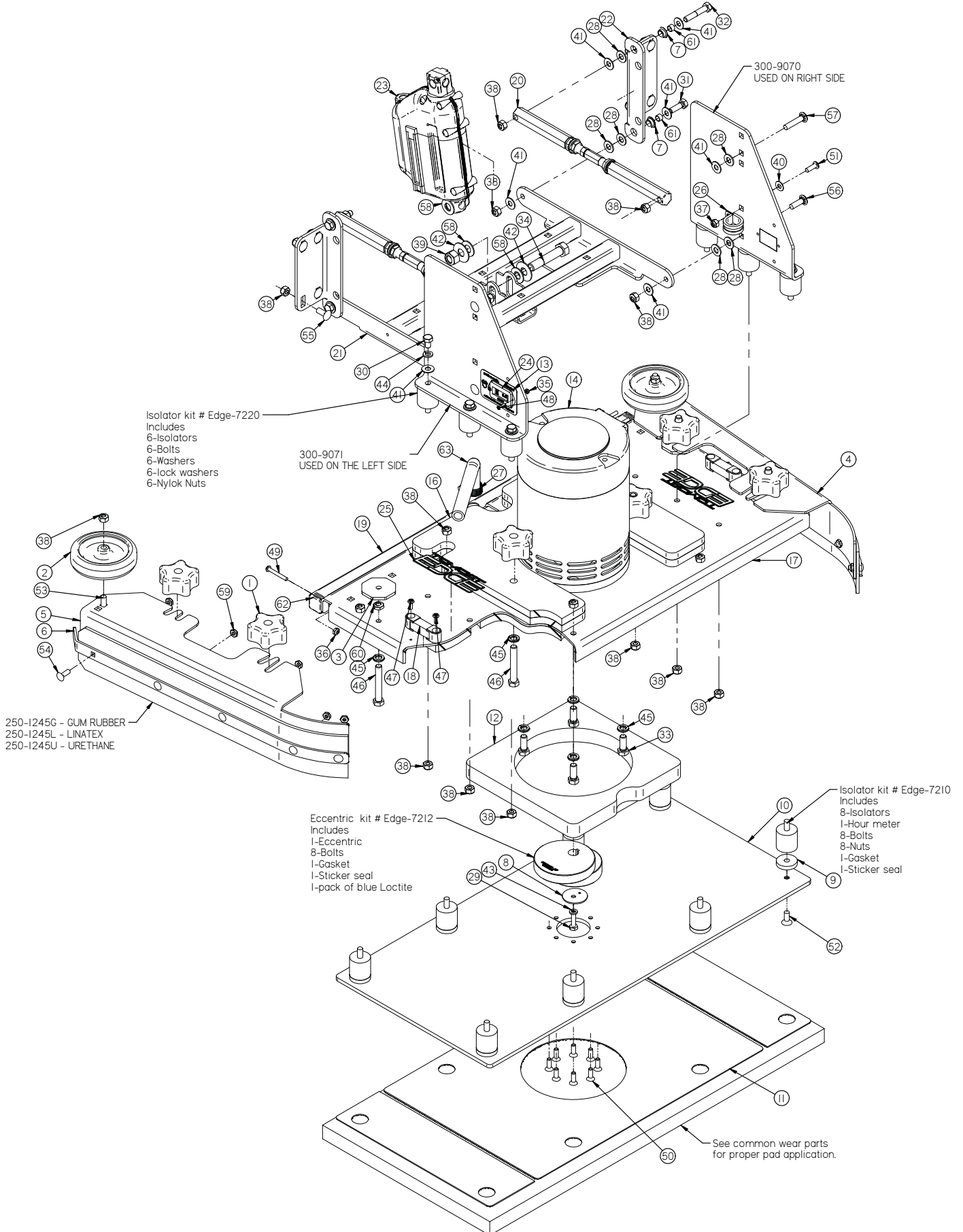


Item	Part No.	Part Description	Qty.
1	250-0222	(LH) SIDE BROOM MOTOR, 36V 106 RPM (44:1)	1
2	250-0223	(RH) SIDE BROOM MOTOR, 36V 106 RPM (44:1)	1
3	250-2240	2" STROKE 36V ACTUATOR 450 LB LOAD	1
4	250-4420	SIDE BROOM LIFT ARM (LH)	1
5	250-4421	SIDE BROOM LIFT ARM (RH)	1
6	250-4620	SIDE BROOM SUSPENSION AXLE SHAFT	1
7	250-4630	SIDE BROOM AXLE BRACKET	2
8	370-4422	SIDE BROOM PIVOT	1
9	390-1170	SIDE BROOM MTG PLATE	2
10	4-4230	3/4" X 1" X 1/2" FLG BEARING	2
11	H-0156730	1/4" X 1 1/2" CLEVIS PIN	2
12	H-0156777	1/2" X 4" CLEVIS PIN	1
13	H-70057	HCS 5/16"- 18 X 1-1/4"	2
14	H-70861	NYLOK 5/16" - 18 SS	8
15	H-71021	FW 1/2 ID X 1-1/4 OD SS	2
16	H-71183	HCS 5/16"- 18 X 2-1/2" FULL THREAD SS	2
17	H-72704	FHP 1/4"- 20 X 1/2" SS	8
18	H-74401	CB 5/16"- 18 X 1-3/4" SS	2
19	H-74431	CB 5/16"- 18 X 1-1/4" SS	2
20	H-RUE22	1/2" RUE RING COTTER	1
21	H-RUE8	RUE RING COTTER	2

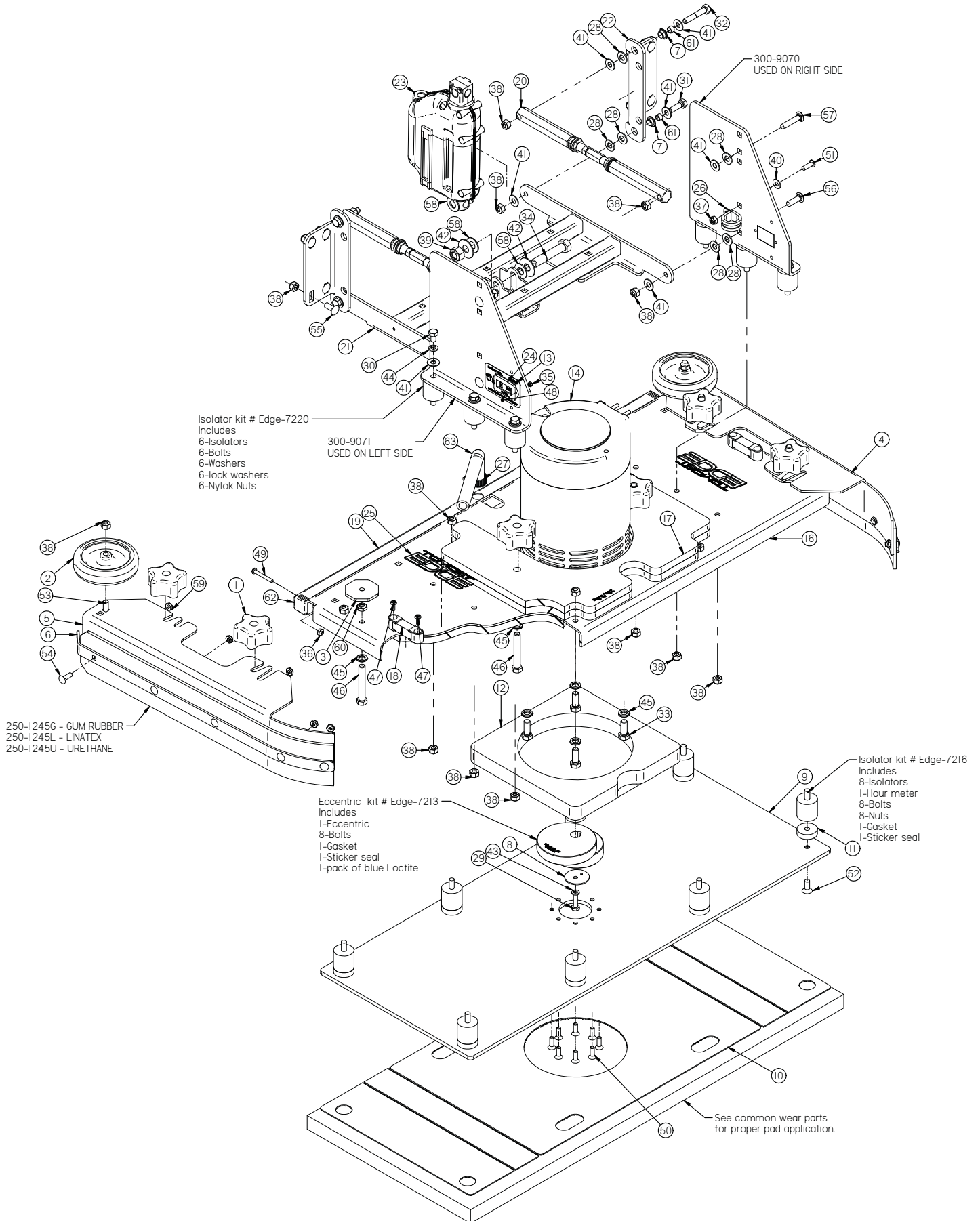
# 12 Front Wheel, Side Brooms, and Side Rollers



Item	Part No.	Part Description	Qty.
1	21-1127	ROLLER	8
2	250-1000	MAIN FRAME	1
3	4-457	ADJUSTMENT KNOB	2
4	8-294	HORN	1
5	H-0127294	RUBBER LOOP CLAMP, 3/4"	1
6	H-0129159	JNYL, 1/2"-13, 18-8 SS	1
7	H-11319	HB 5/8"- 11 X 4"	4
8	H-11333	HB 5/8"- 11 X 7"	2
9	H-312HCN	HCN 5/16"-18	1
10	H-37036	NYL 5/8"- 11	2
11	H-37038	JNYL 5/8"- 11	4
12	H-70211	HCS 1/2"-13 X 2.0" SS	1
13*	H-70221	HCS 1/2"-13 X 4-1/2" SS	1
14	H-70711	HN 5/16"- 18 SS	1
15	H-70860	NYLOK 1/4"- 20 SS	11
16	H-70861	NYLOK 5/16" - 18 SS	7
17	H-70925	KN 1/4-20 S/S	1
18	H-71015	FW 5/16 ID X 3/4 OD SS	5
19	H-71065	LW 5/16" SS	8
20	H-74419	CB 1/4"- 20 X .75" SS	18
21	H-74420	CB 1/4"- 20 X 1.0" SS	1
22	H-74430	CB 5/16"- 18 X 1" SS	10
23	H-79061	SHCS 5/16-18 X 2-1/2 SS	2
24	H-9307K74	GROMMET, 1" ID X 1-3/4" OD BUNA-N	7

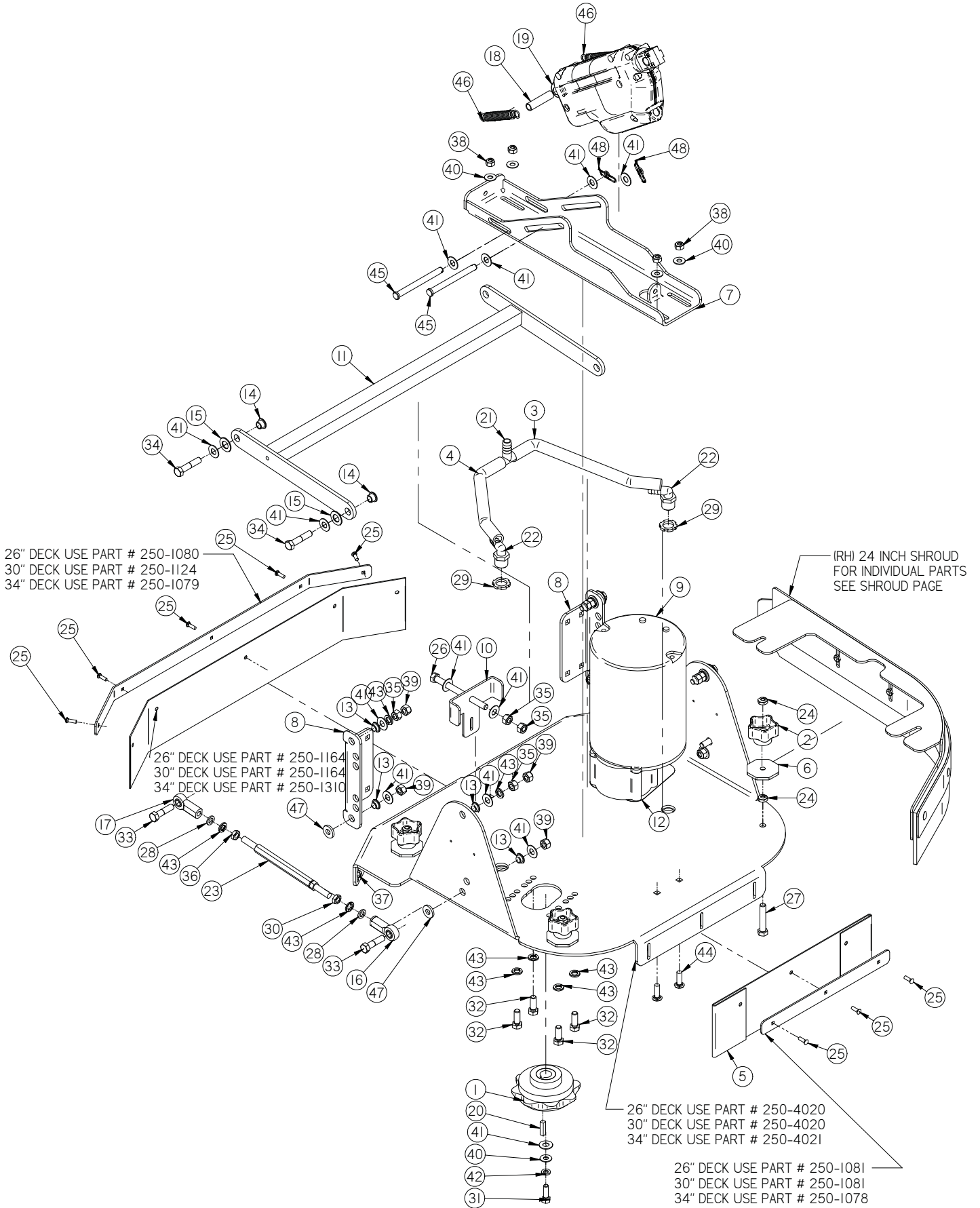


Item	Part No.	Part Description	Qty.
1	150-5786	STAR KNOB, 3/8-16 THREAD	6
2	150-7600	4" SIDE WHEEL (GREY)	2
3	250-1184	SHROUD ADJ. KNOB (3/8-16 THREAD)	4
4	250-1212	SHROUD WIPER (RH)	1
5	250-1213	SHROUD WIPER (LH)	1
6	250-1246	EDGE WIPER BAND	2
7	290-1233	3/8" ID, 1/2" OD, 1/4" LG BEARING	4
8	300-01030Z	CRUSH WASHER	1
9	300-01033Z	20 & 28" SPACER	8
10	300-01035Z	28 INCH ALUMINUM PAD DRIVER	1
11	300-01037Z	GRIP FACE	1
12	300-1073	1" BEARING GASKET	1
13	300-2013	ISOLATOR STICKER	1
14	300-2600	36V,IHP,2700 RPM	1
15*	300-3021	28 INCH EDGE SOL. FEED TUBE	1
16	300-4021	MINIMAG/MAGNUM 14 LBS WEIGHT	2
17	300-4022	28 INCH SQUARE HEAD DECK	1
18	300-4030	LEVEL	2
19	300-5028	SQ. SOLUTION FEED TUBE (28")	1
20	300-8421	ADJUSTABLE LATERAL ARM	2
21	300-9587	LATERAL ARM	1
22	370-1265	ADJUSTABLE SCRUB ARM BRACKET	2
23	370-2240	2" STROKE 36V ACTUATOR 450 LB LOAD	1
24	8-262	HOUR METER	1
25	EDGE-7203	5 INCH EDGE STICKER	2
26	H-0127296	1.0" LOOP CLAMP	1
27	H-081	CLAMP 7/16"- 25/32" SS	1
28	H-4440024	FW 3/8" X 3/4" NYLON	12
29	H-70005	HCS 1/4"- 20 X 1" SS	1
30	H-70051	HCS 5/16"- 18 X 1/2"	6
31	H-70055	HCS 5/16"- 18 X 1" SS	2
32	H-70060	HCS 5/16"- 18 X 1-3/4" SS	2
33	H-70105	HCS 3/8"- 16 X 1" SS	4
34	H-70213	HCS 1/2"-13 X 2-1/2" SS	1
35	H-70854	NYLOK #4-40 SS	2
36	H-70858	NYLOK #10-32 SS	3
37	H-70860	NYLOK 1/4"- 20 SS	1
38	H-70861	NYLOK 5/16" - 18 SS	32
39	H-70864	NYLOK 1/2"-13 SS	1
40	H-71013	FW 1/4 ID X 5/8 OD SS	2
41	H-71015	FW 5/16 ID X 3/4 OD SS	18
42	H-71021	FW 1/2 ID X 1-1/4 OD SS	2
43	H-71063	LW 1/4" SS	1
44	H-71065	LW 5/16" SS	6
45	H-71067	LW 3/8" SS	10
46	H-71190	HCS 3/8"- 16 X 2-1/2" SS (FULLY THREADED)	6
47	H-72398	PPH #8-32 X 1/2" S/S	4
48	H-72486	PPH #4-40 X 1/2" S/S	2
49	H-72554	PPH #10-32 X 1-1/2"	3
50	H-72708	FHP 1/4"- 20 X 3/4"	8
51	H-73754	BHSCS 1/4 - 20 X 3/4" SS	1
52	H-73907	FHSCS 5/16"- 18 X 3/4" SS	8
53	H-74401	CB 5/16"- 18 X 1-3/4" SS	2
54	H-74419	CB 1/4"- 20 X .75" SS	10
55	H-74429	CB 5/16"- 18 X 3/4" SS	8
56	H-74430	CB 5/16"- 18 X 1" SS	2
57	H-74432	CB 5/16"- 18 X 1-1/2" SS	2
58	H-76065	FW 1/2" NYLON	4
59	H-NJ04C	JNYL 1/4" - 20 SS	10
60	H-NJ06C	JNYL 3/8- 16 SS	4
61	M-6391K403	.312 ID X .375 OD X .25 LG BEARING SLEEVE	4
62	M-9565K51	1.0 X 1.0 SQ TUBE PLUG	2
63	T-050R6000	SOLUTION FEEDTUBE	1



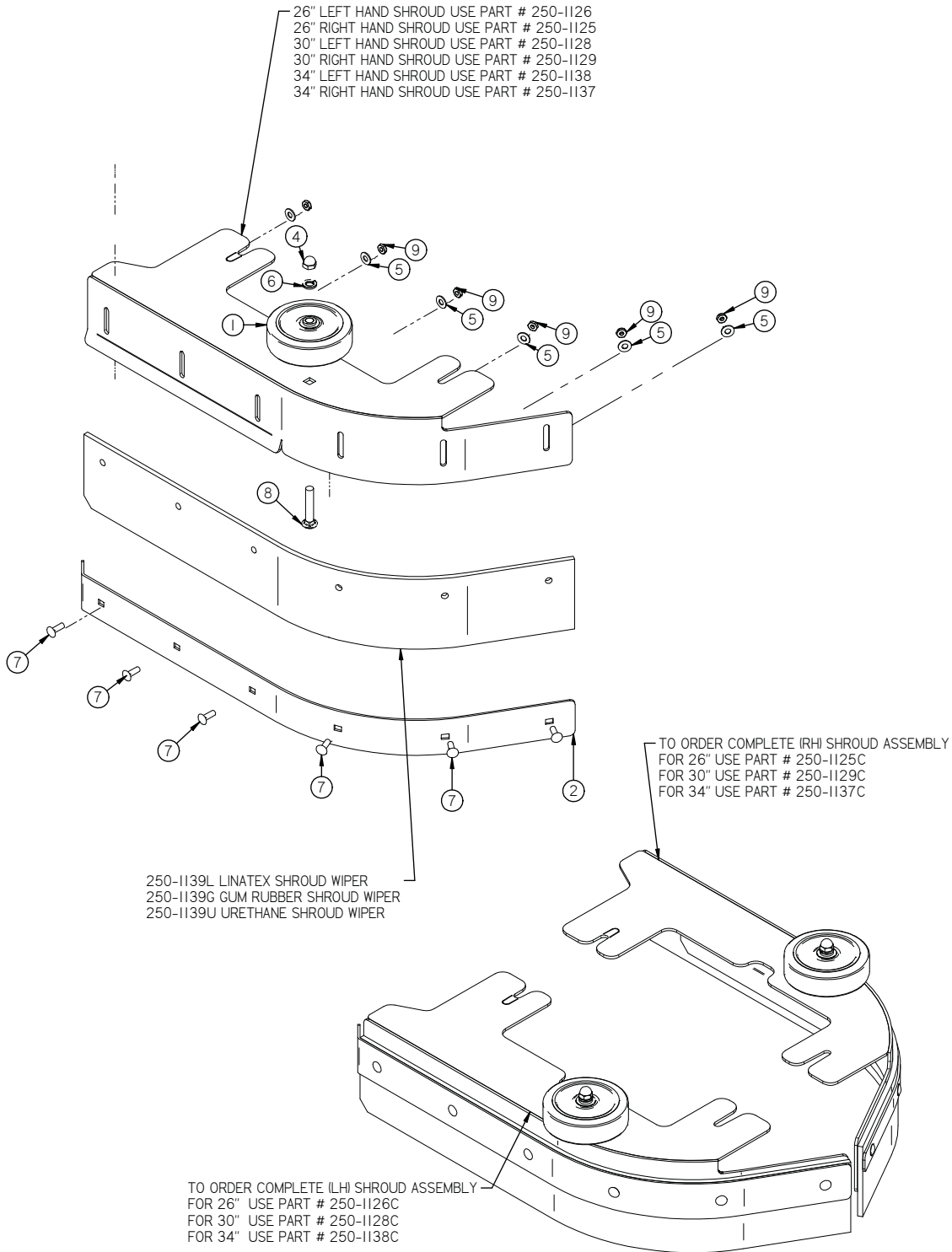


Item	Part No.	Part Description	Qty.
1	150-5786	STAR KNOB, 3/8-16 THREAD	6
2	150-7600	4" SIDE WHEEL (GREY)	2
3	250-1184	SHROUD ADJ. KNOB (3/8-16 THREAD)	4
4	250-1212	SHROUD WIPER (RH)	1
5	250-1213	SHROUD WIPER (LH)	1
6	250-1246	EDGE WIPER BAND	2
7	290-1233	3/8" ID, 1/2" OD, 1/4" LG BEARING	4
8	300-01030Z	CRUSH WASHER	1
9	300-01036Z	32 INCH ALUMINUM PAD DRIVER	1
10	300-01037Z	GRIP FACE	1
11	300-01049Z	32" SPACER	8
12	300-1073	1" BEARING GASKET	1
13	300-2013	ISOLATOR STICKER	1
14	300-2600	36V,IHP,2700 RPM	1
15'	300-3022	32 INCH EDGE SOL. FEED TUBE	1
16	300-4026	32 INCH SQUARE HEAD DECK	1
17	300-4028	GTX 13 LBS TOP WEIGHT	2
18	300-4030	LEVEL	2
19	300-5032	SQ. SOLUTION FEED TUBE (32")	1
20	300-8421	ADJUSTABLE LATERAL ARM	2
21	300-9587	LATERAL ARM	1
22	370-1265	ADJUSTABLE SCRUB ARM BRACKET	2
23	370-2240	2" STROKE 36V ACTUATOR 450 LB LOAD	1
24	8-262	HOUR METER	1
25	EDGE-7203	5 INCH EDGE STICKER	2
26	H-0127296	1.0" LOOP CLAMP	1
27	H-081	CLAMP 7/16" - 25/32" SS	1
28	H-4440024	FW 3/8" X 3/4" NYLON	12
29	H-70005	HCS 1/4"- 20 X 1" SS	1
30	H-70051	HCS 5/16"- 18 X 1/2"	6
31	H-70055	HCS 5/16"- 18 X 1" SS	2
32	H-70060	HCS 5/16"- 18 X 1-3/4" SS	2
33	H-70105	HCS 3/8"- 16 X 1" SS	4
34	H-70213	HCS 1/2"-13 X 2-1/2" SS	1
35	H-70854	NYLOK #4-40 SS	2
36	H-70858	NYLOK #10-32 SS	3
37	H-70860	NYLOK 1/4"- 20 SS	1
38	H-70861	NYLOK 5/16" - 18 SS	32
39	H-70864	NYLOK 1/2"-13 SS	1
40	H-71013	FW 1/4 ID X 5/8 OD SS	2
41	H-71015	FW 5/16 ID X 3/4 OD SS	18
42	H-71021	FW 1/2 ID X 1-1/4 OD SS	2
43	H-71063	LW 1/4" SS	1
44	H-71065	LW 5/16" SS	6
45	H-71067	LW 3/8" SS	10
46	H-71190	HCS 3/8"- 16 X 2-1/2" SS (FULLY THREADED)	6
47	H-72398	PPH #8-32 X 1/2" S/S	4
48	H-72486	PPH #4-40 X 1/2" S/S	2
49	H-72554	PPH #10-32 X 1-1/2"	3
50	H-72708	FHP 1/4"- 20 X 3/4"	8
51	H-73754	BHSCS 1/4 - 20 X 3/4" SS	1
52	H-73907	FHSCS 5/16"- 18 X 3/4" SS	8
53	H-74401	CB 5/16"- 18 X 1-3/4" SS	2
54	H-74419	CB 1/4"- 20 X .75" SS	10
55	H-74429	CB 5/16"- 18 X 3/4" SS	8
56	H-74430	CB 5/16"- 18 X 1" SS	2
57	H-74432	CB 5/16"- 18 X 1-1/2" SS	2
58	H-76065	FW 1/2" NYLON	4
59	H-NJ04C	JNYL 1/4" - 20 SS	10
60	H-NJ06C	JNYL 3/8- 16 SS	4
61	M-6391K403	.312 ID X .375 OD X .25 LG BEARING SLEEVE	4
62	M-9565K51	1.0 X 1.0 SQ TUBE PLUG	2
63	T-050R6000	SOLUTION FEEDTUBE	1



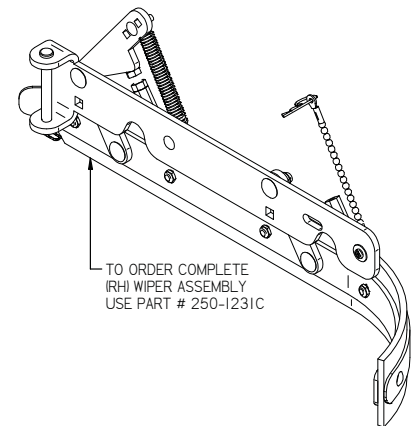
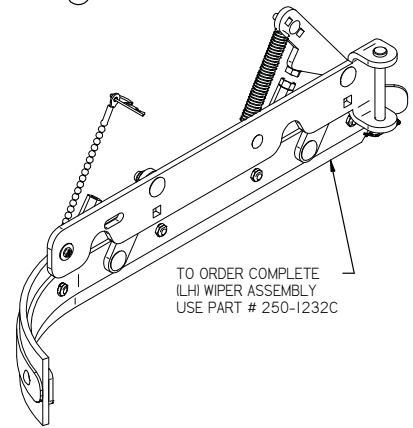
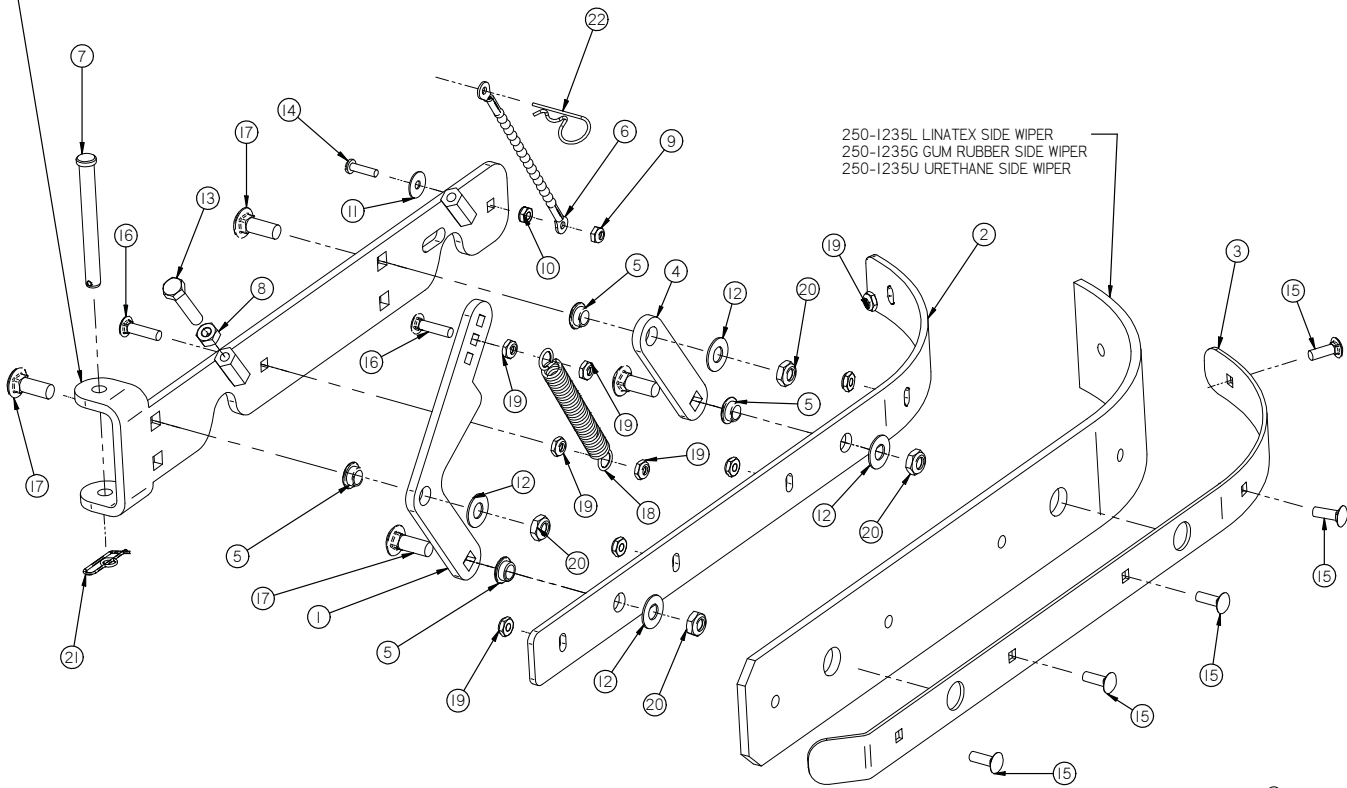
Item	Part No.	Part Description	Qty.
1	21-5000	BRUSH DRIVER	2
2	21-7205	STAR KNOB	4
3	250-0118	1/2 ID X 12-1/2" HOSE	1
4	250-0118	1/2 ID X 12-1/2" HOSE	1
5	250-1078	26/30 REAR DECK CURTAIN	1
6	250-1084	SHROUD ADJUSTMENT KNOB	4
7	250-1103	DISK SCRUB DECK BRACKET	1
8	250-1265	SCRUB ARM BRACKET	2
9	250-2220	36V MOTOR 3/4 HP X 300 RPM	2
10	250-4022	DISK DECK HEIGHT ADJUSTMENT	2
11	250-9586	LATERAL ARM	1
12	253-1140	BRUSH MOTOR CAP	2
13	290-1233	3/8" ID, 1/2" OD, 1/4" LG BEARING	8
14	290-1245	3/8" ID, 1/2" OD, 3/8" LG, FLANGE BEARING	4
15	290-1247	BRONZE THRUST BEARING, .50" ID X 1.0" OD X 1/16" TH	4
16	290-9584	ROD END, 3/8-24 LEFT HAND THREAD	2
17	290-9585	ROD END, 3/8-24 RIGHT HAND THREAD	2
18	370-1081	SLEEVE BEARING	1
19	370-2210	4" STROKE 36V ACTUATOR 450 LB LOAD	1
20	5-431	1/4" X 1" KEY	2
21	5-446	1/2 " PLASTIC BARB TEE	1
22	5-447	1/2 NPT X 1/2" BARB ELBOW	2
23	7-842	ADJUSTABLE LATERAL ARM BODY	2
24	H-0171004	JNYL 3/8- 24 SS	8
25	H-0172519	CB #10-32 X 5/8" SS	8
26	H-0172940	HCS 3/8"- 24 X 4.5" SS	2
27	H-0172949	HCS 3/8"- 24 X 2" SS FULL THREADED	4
28	H-02949	3/8 ID X 5/8 OD SHIM	4
29	H-07005	1/2" NPT LOCKNUT	4
30	H-36956	LH HX JAM .375-24 SS	2
31	H-70055	HCS 5/16"- 18 X 1" SS	2
32	H-70105	HCS 3/8"- 16 X 1" SS	8
33	H-70109	HCS 3/8"- 16 X 1-1/2" SS	4
34	H-70110	HCS 3/8"- 16 X 1-3/4" SS	4
35	H-70712	HN 3/8"-16 SS	8
36	H-70832	HX JAM .375-24 SS	2
37	H-70858	NYLOK #10-32 SS	8
38	H-70861	NYLOK 5/16" - 18 SS	8
39	H-70862	NYLOK 3/8"-16 SS	8
40	H-71015	FW 5/16 ID X 3/4 OD SS	10
41	H-71017	FW 3/8 ID X 7/8 OD SS	22
42	H-71065	LW 5/16" SS	2
43	H-71067	LW 3/8" SS	16
44	H-74430	CB 5/16"- 18 X 1" SS	8
45	H-923903	3/8" X 4" CLEVIS PIN	2
46	H-96544	SPRING, 4-1/8" LG X 9/16" OD (42E)	2
47	H-98025	FW 3/8" GRADE 8	4
48	H-RUE14	3/8" RUE RING COTTER	2

# 20 Disk Shrouds



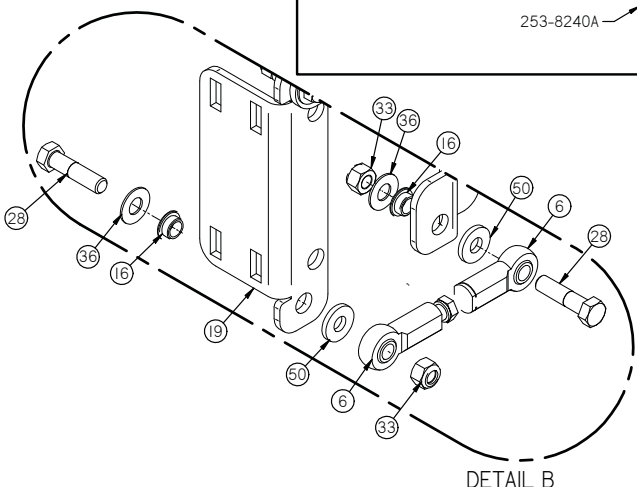
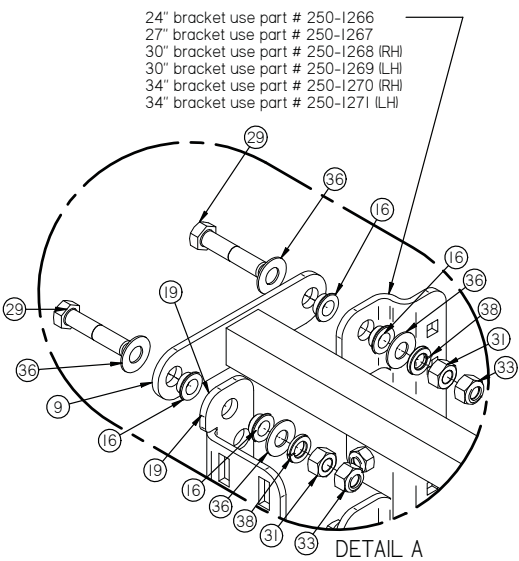
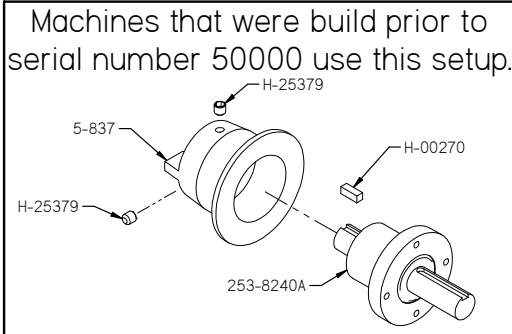
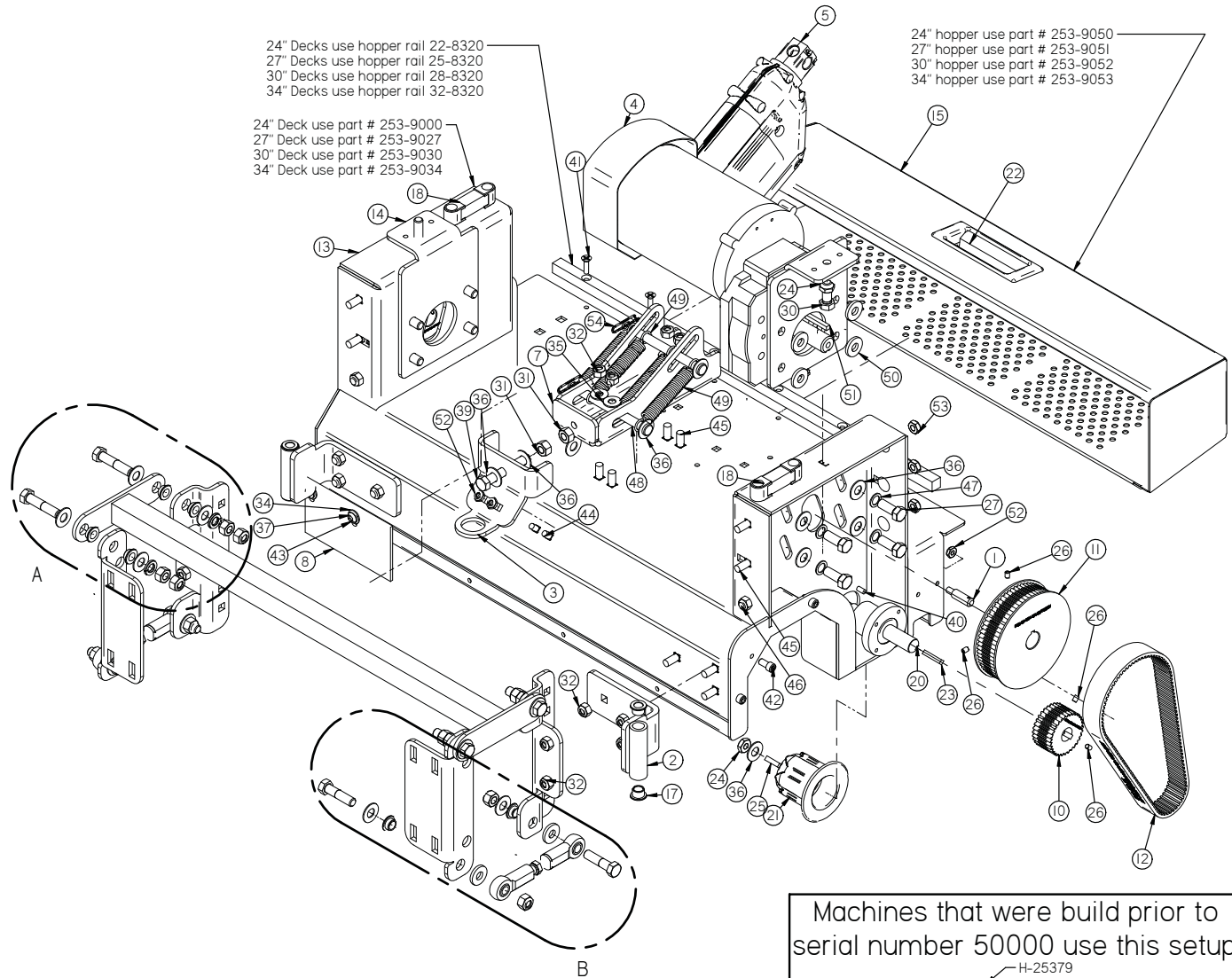
Item	Part No.	Part Description	Qty.
1	190-3030	4.0" WHEEL (GRAY)	1
2	250-1140	SHROUD CURTAIN BAND	1
3	250-1239	INNER SHROUD CURTAIN	1

LH WIPER HORIZONTAL ARM USE PART # 250-1232  
 RH WIPER HORIZONTAL ARM USE PART # 250-1231



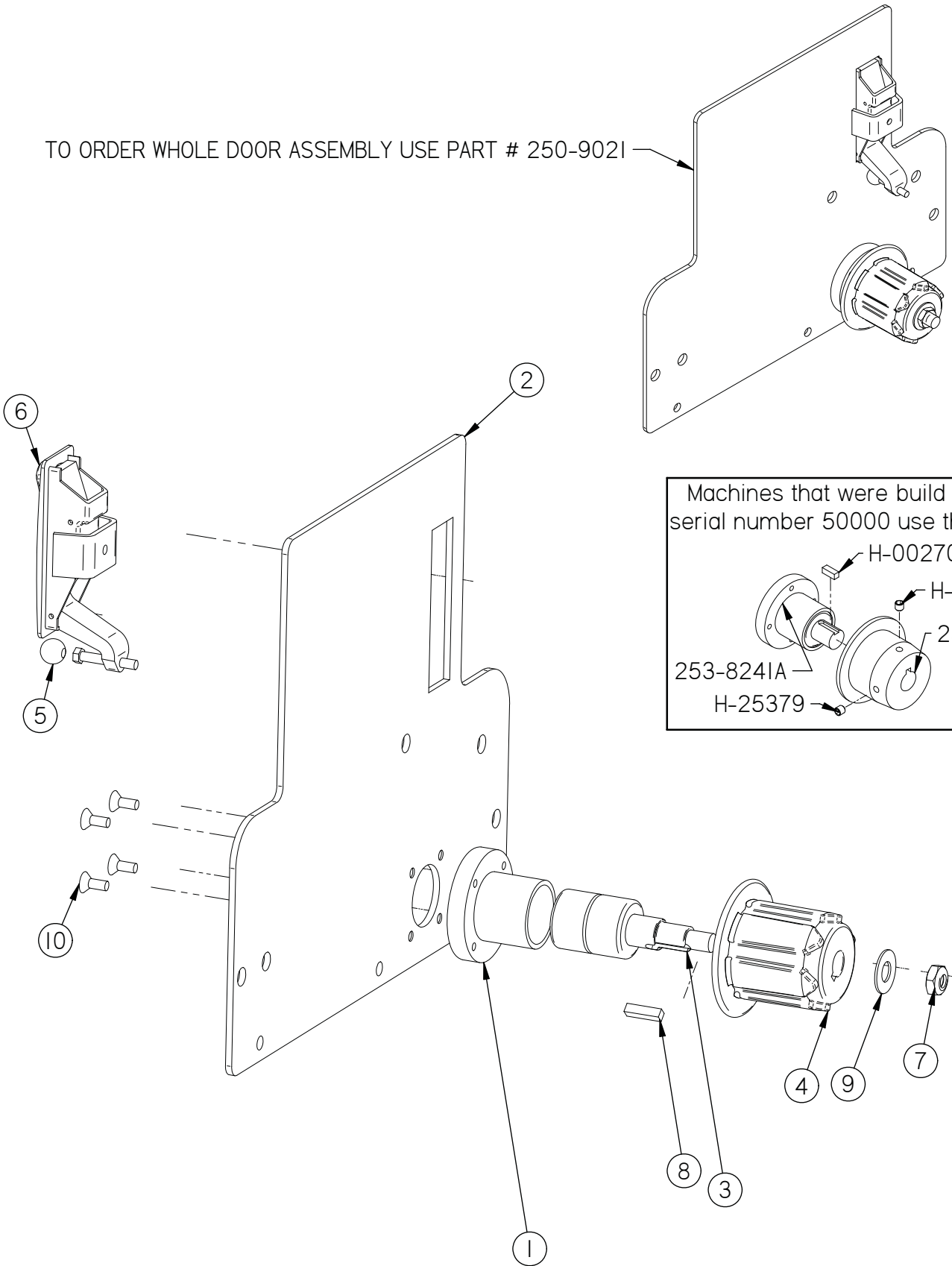
Item	Part No.	Part Description	Qty.
1	250-1233	SHROUD VERTICAL ARM	1
2	250-1234	SHROUD SIDE	1
3	250-1236	WIPER BAND	1
4	250-1333	WIPER VERTICAL ARM	1
5	290-1233	3/8" ID, 1/2" OD, 1/4" LG BEARING	4
6	370-4060	6" LANYARD	1
7	H-0156758	3/8" X 3-1/2" CLEVIS PIN	1
8	H-70711	HN 5/16"- 18 SS	1
9	H-70858	NYLOK #10-32 SS	1
10	H-70923	KN #10-32 SS	1
11	H-71010	FW #10 ID X 11/16 OD SS	2
12	H-71017	FW 3/8 ID X 7/8 OD SS	4
13	H-71180	HCS 5/16"- 18 X 1-1/2" FULLY THREADED	1
14	H-72534	PPH #10-32 X 3/4" S/S	1
15	H-74419	CB 1/4"- 20 X .75" SS	5
16	H-74420	CB 1/4"- 20 X 1.0" SS	2
17	H-74436	CB 3/8"- 16 X 1.0" SS	4
18	H-96544	SPRING, 4-1/8" LG X 9/16" OD (42E)	1
19	H-NJ04C	JNYL 1/4" - 20 SS	9
20	H-NJ06C	JNYL 3/8- 16 SS	4
21	H-RUE14	3/8" RUE RING COTTER	1
22	M-92391A044	HAIRPIN, 5/16" - 3/8" X 1-7/16" S/S	1

# 22 Cylindrical Deck



Item	Part No.	Part Description	Qty.
1	250-0001	RETAINER PIN	2
2	250-1230	SHROUD HINGE	2
3	250-1237	CYLINDRICAL HIEGHT ADJUSTMENT	1
4	250-201	MOTOR, 36V, 1/2 HP, 350 RPM	2
5	250-2240	2" STROKE 36V ACTUATOR 450 LB LOAD	1
6	250-8431	ADJUSTABLE LATERAL ARM	2
7	250-9003	CYLINDRICAL LIFTING BRACKET	1
8	250-9010	CYLINDRICAL CURTAIN	1
9	250-9585	250 CYL. LATERAL ARM	1
10	253-8215	TIMING SPROCKET 32 TOOTH	2
11	253-8225	TIMING SPROCKET 68 TOOTH	2
12	253-8230	565-5M-25 HI-PERFORMANCE PD PLUS BELT	2
13	253-9000	CYLINDRICAL BRUSHHEAD, 24"	1
14	253-9002	MOTOR ADJ BRACKET	2
15	253-9050	24" HOPPER	1
16	290-1233	3/8" ID, 1/2" OD, 1/4" LG BEARING	12
17	290-1245	3/8" ID, 1/2" OD, 3/8" LG, FLANGE BEARING	4
18	300-4030	LEVEL	2
19	370-1265	ADJUSTABLE SCRUB ARM BRACKET	2
20	370-8240A	BEARING HOUSING/BEARING	2
21	370-8370	BRUSH IDLER	2
22	5-849	RECESSED HANDLE	1
23	H-01125	3/16" X 1" KEY	2
24	H-0171004	JNYL 3/8- 24 SS	4
25	H-0953152	3/16" X 3/4" KEY	2
26	H-25306	SSS CP #10-32 X 1/4"	8
27	H-70105	HCS 3/8"- 16 X 1" SS	8
28	H-70109	HCS 3/8"- 16 X 1-1/2" SS	4
29	H-70110	HCS 3/8"- 16 X 1-3/4" SS	4
30	H-70142	HCS 3/8"- 24 X 1" S/S	2
31	H-70712	HN 3/8"-16 SS	6
32	H-70861	NYLOK 5/16" - 18 SS	16
33	H-70862	NYLOK 3/8"-16 SS	8
34	H-71013	FW 1/4 ID X 5/8 OD SS	2
35	H-71015	FW 5/16 ID X 3/4 OD SS	10
36	H-71017	FW 3/8 ID X 7/8 OD SS	28
37	H-71063	LW 1/4" SS	2
38	H-71067	LW 3/8" SS	4
39	H-71190	HCS 3/8"- 16 X 2-1/2" SS (FULLY THREADED)	1
40	H-72682	FHP #10-32 X 1/2" SS	8
41	H-72684	FHP 10-32 X 3/4" SS	6
42	H-73459	SHCS 1/4-20 X 1/2 SS	8
43	H-73752	BHSCS 1/4 - 20 X 1/2" SS	2
44	H-74417	CB 1/4"- 20 X .5" SS	2
45	H-74429	CB 5/16"- 18 X 3/4" SS	14
46	H-744??	CB 5/16"- 18 X 1/2" SS	8
47	H-90895	WASHER, SERRATED BELLEVILLE, 3/8", S/S	8
48	H-923903	3/8" X 4" CLEVIS PIN	2
49	H-96544	SPRING, 4-1/8" LG X 9/16" OD (42E)	4
50	H-98025	FW 3/8" GRADE 8	12
51	H-K14320	3/16" X 1 1/4" KEY	2
52	H-NJ04C	JNYL 1/4" - 20 SS	10
53	H-NJ05C	JNYL 5/16"- 18 SS	6
54	H-RUE14	3/8" RUE RING COTTER	2

TO ORDER WHOLE DOOR ASSEMBLY USE PART # 250-9021



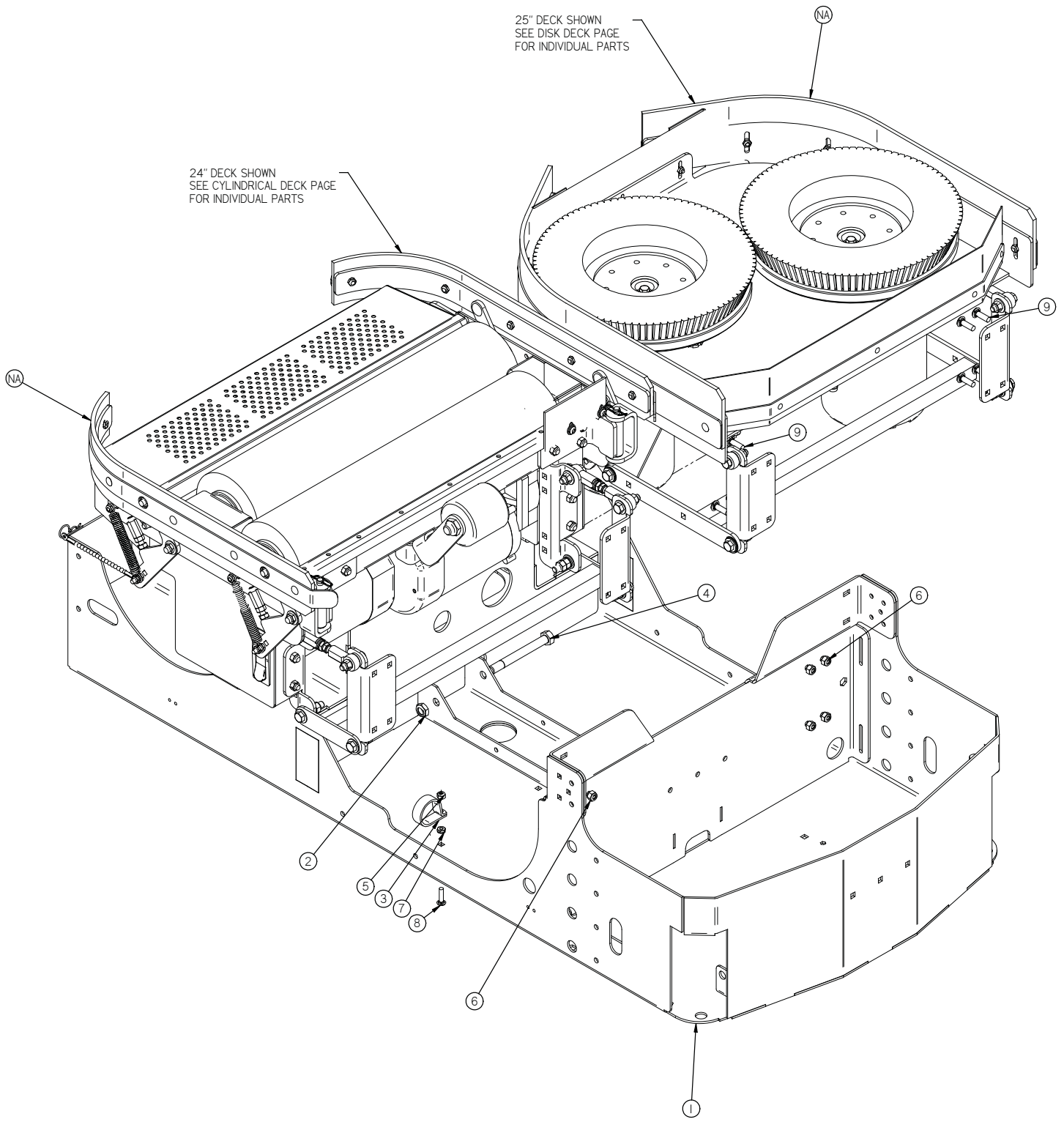
Machines that were build prior to serial number 50000 use this setup.

- H-00270
- H-25379
- 253-8241A
- 253-8370
- H-25379



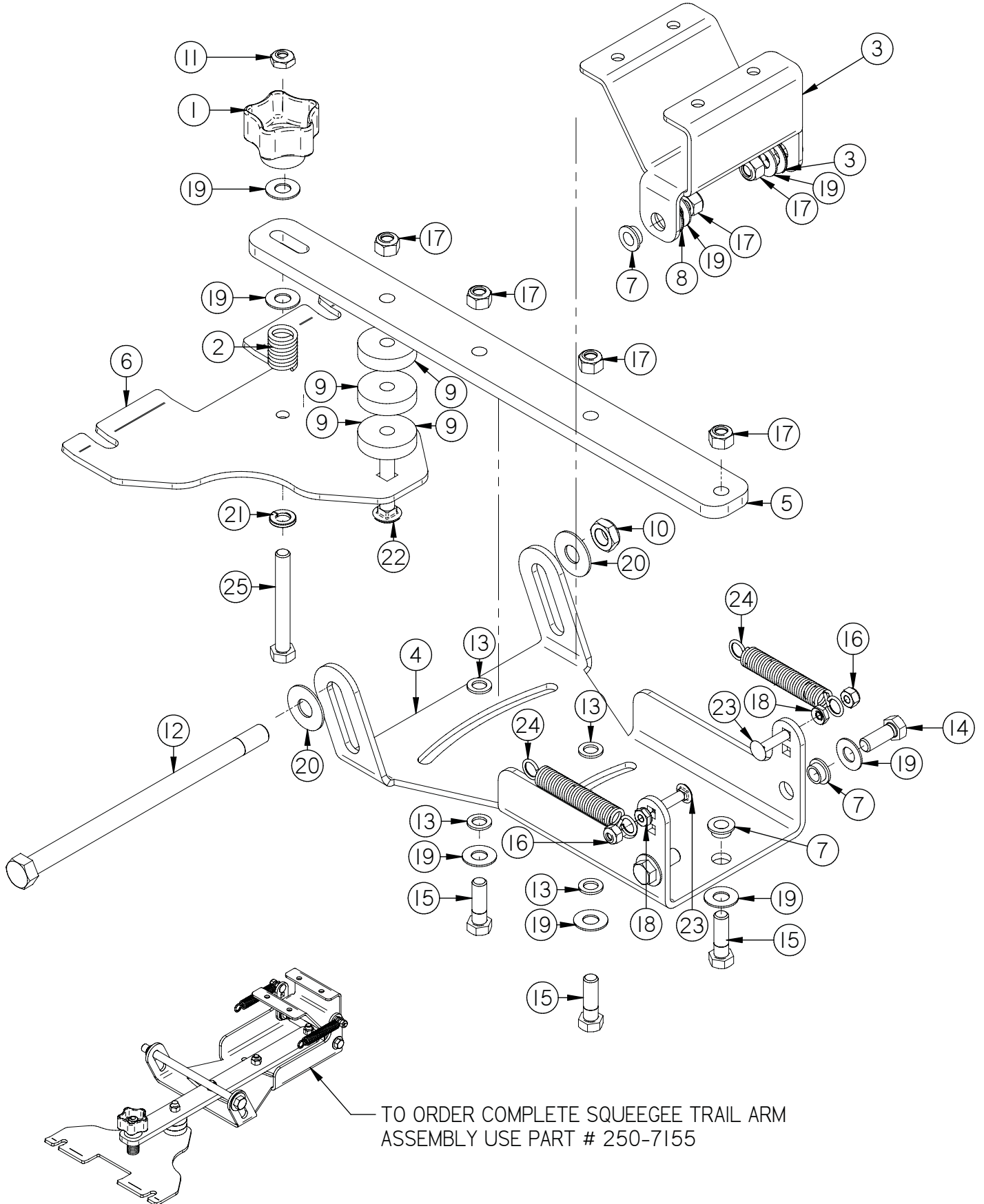
Item	Part No.	Part Description	Qty.
1	1-305	BEARING HOUSING	1
2	253-9022	DRIVE COVER	1
3	370-8241	IDLER BEARING	1
4	370-8370	BRUSH DRIVER/IDLER (NEW STYLE)	1
5	5-100	GROMMET	1
6	5-130	DOOR LATCH	1
7	H-0171004	JNYL 3/8- 24 SS	1
8	H-0953152	3/16" X 3/4" KEY	1
9	H-71017	FW 3/8 ID X 7/8 OD SS	1
10	H-72682	FHP #10-32 X 1/2" SS	4

# 26 Attaching Decks



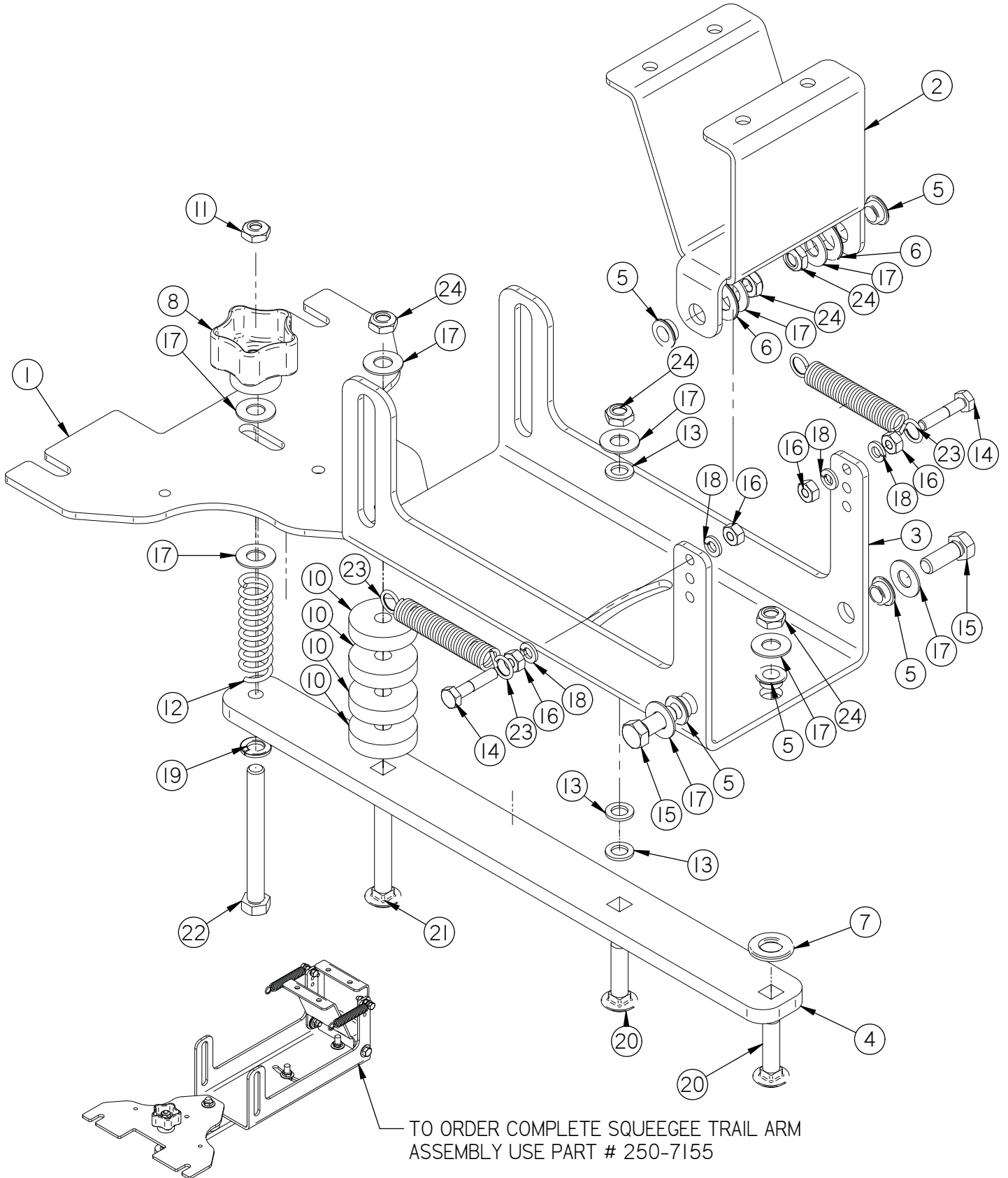
Item	Part No.	Part Description	Qty.
1	250-1000	MAIN FRAME	1
2	H-0129159	JNYL, 1/2"-13, 18-8 SS	1
3	H-3225T	RUBBER LOOP CLAMP, 1-1/2"	1
4	H-70221	HCS 1/2"-13 X 4-1/2" SS	1
5	H-70860	NYLOK 1/4"- 20 SS	1
6	H-70861	NYLOK 5/16" - 18 SS	8
7	H-70925	KN 1/4-20 S/S	1
8	H-74420	CB 1/4"- 20 X 1.0" SS	1
9	H-74430	CB 5/16"- 18 X 1" SS	8

## SETUP FOR SERIAL #55325 & GREATER

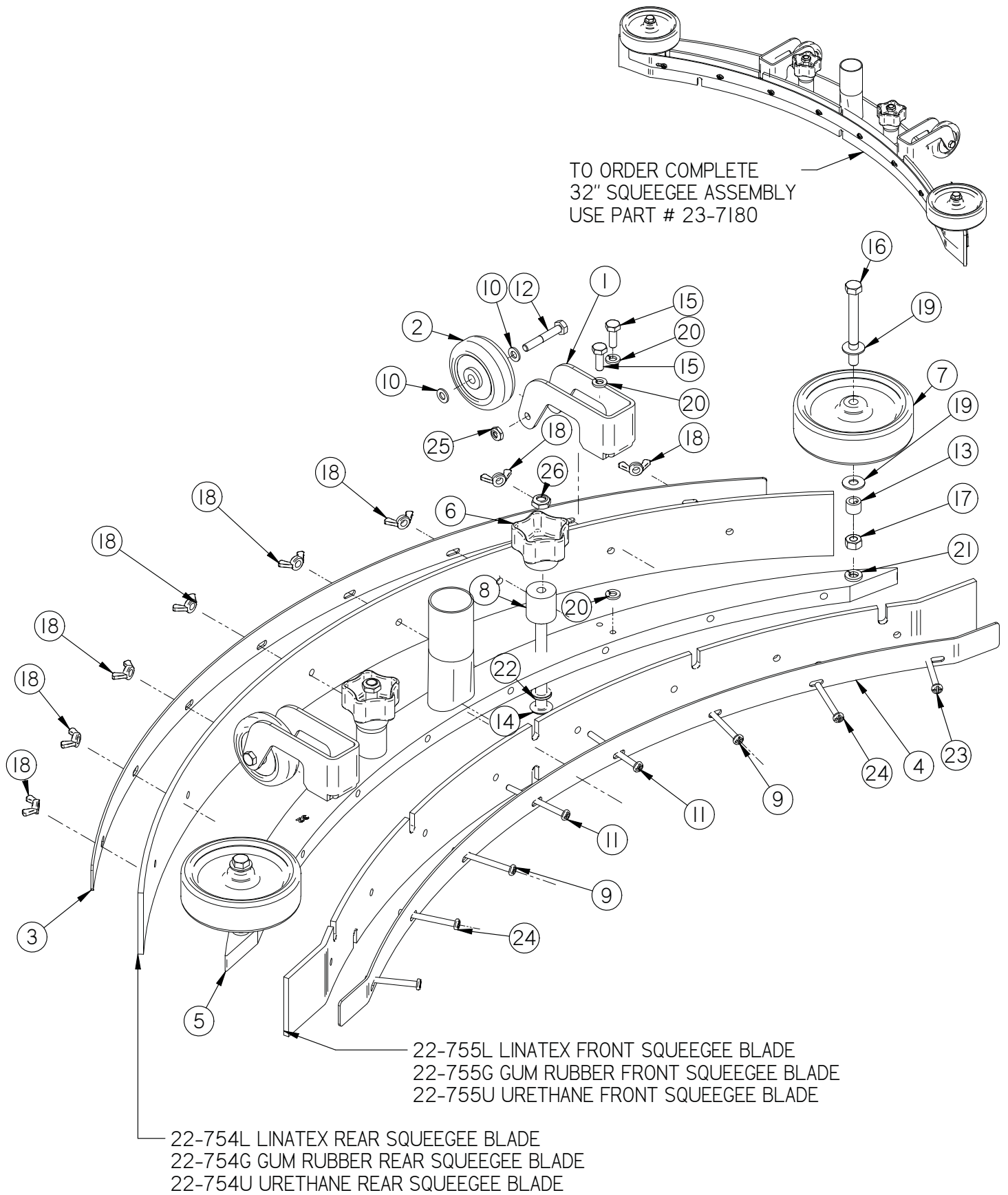


Item	Part No.	Part Description	Qty.
1	21-7205	STAR KNOB	1
2	21-7240	SPRING, 1/2" ID X 1-3/4" LG	1
3	250-5003	SQUEEGEE DRAG BRACE	1
4	250-7132	SQUEEGEE SWING PLATE	1
5	250-7152	SQUEEGEE TRAIL ARM	1
6	250-7610	TRIANGLE PLATE	1
7	290-1233	3/8" ID, 1/2" OD, 1/4" LG BEARING	5
8	290-1247	BRONZE THRUST BEARING, .50" ID X 1.0" OD X 1/16" TH	2
9	4-446	GROMMET-3/8 ID X 1-1/2 OD X .375	3
10	H-0129159	JNYL, 1/2"-13, 18-8 SS	1
11	H-0171004	JNYL 3/8- 24 SS	1
12	H-15231	HCS 1/2"- 13 X 9.0" GRADE 8	1
13	H-4440024	FW 3/8" X 3/4 NYLON	4
14	H-70105	HCS 3/8"- 16 X 1" SS	2
15	H-70107	HCS 3/8"- 16 X 1-1/4" SS	3
16	H-70860	NYLOK 1/4"- 20 SS	2
17	H-70862	NYLOK 3/8"-16 SS	6
18	H-70925	KN 1/4-20 S/S	2
19	H-71017	FW 3/8 ID X 7/8 OD SS	9
20	H-71021	FW 1/2 ID X 1-1/4 OD SS	2
21	H-71067	LW 3/8" SS	1
22	H-74416	CB 3/8"- 16 X 2-1/4" SS	1
23	H-74420	CB 1/4"- 20 X 1.0" SS	2
24	H-96544	SPRING, 4-1/8" LG X 9/16" OD (42E)	2
25	M-92240A362	HCS 3/8"- 24 X 3.0" SS	1

SETUP FOR SERIAL #55324 & LOWER



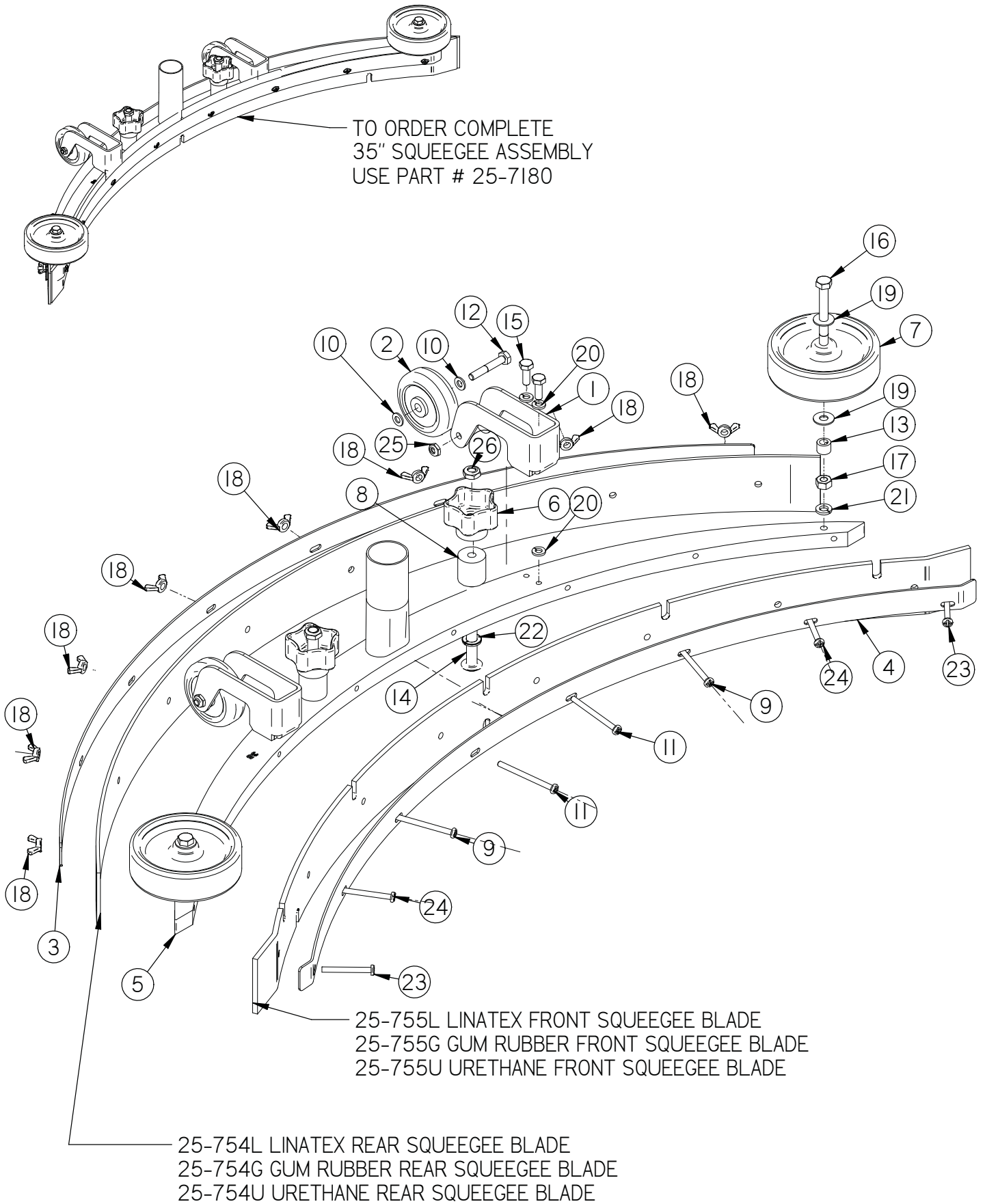
Item	Part No.	Part Description	Qty.
1	21-7610	SQUEEGEE TRIANGLE PLATE	1
2	250-5002	SQUEEGEE DRAG BRACE	1
3	250-7131	SQUEEGEE SWING PLATE	1
4	250-7150	SQUEEGEE TRAIL ARM	1
5	290-1233	3/8" ID, 1/2" OD, 1/4" LG BEARING	5
6	290-1247	BRONZE THRUST BEARING, .50" ID X 1.0" OD X 1/16" TH	2
7	290-1248	FW BRONZE 1/2" ID X 1" OD X 1/8" TH	1
8	290-5787	STAR KNOB, 3/8-24 THREAD	1
9*	360	SUB #360 32 INCH SQUEEGEE ASSEMBLY	1
10	4-446	GROMMET-3/8 ID X 1-1/2 OD X .375	4
11	H-0171004	JNYL 3/8- 24 SS	1
12	H-III	SPRING, 1/2" ID X 2-1/2" LG	1
13	H-4440024	FW 3/8" X 3/4 NYLON	3
14	H-70007	HCS 1/4"- 20 X 1.25" SS	2
15	H-70105	HCS 3/8"- 16 X 1" SS	2
16	H-70710	HN 1/4"- 20 SS	4
17	H-71017	FW 3/8 ID X 7/8 OD SS	9
18	H-71063	LW 1/4" SS	4
19	H-71067	LW 3/8" SS	1
20	H-74438	CB 3/8"- 16 X 1-1/2" SS	2
21	H-74440	CB 3/8"- 16 X 2-1/2" SS	1
22	H-92865A227	HCS 3/8"- 24 X 3.5" SS	1
23	H-96544	SPRING, 4-1/8" LG X 9/16" OD (42E)	2
24	H-NJ06C	JNYL 3/8- 16 SS	5





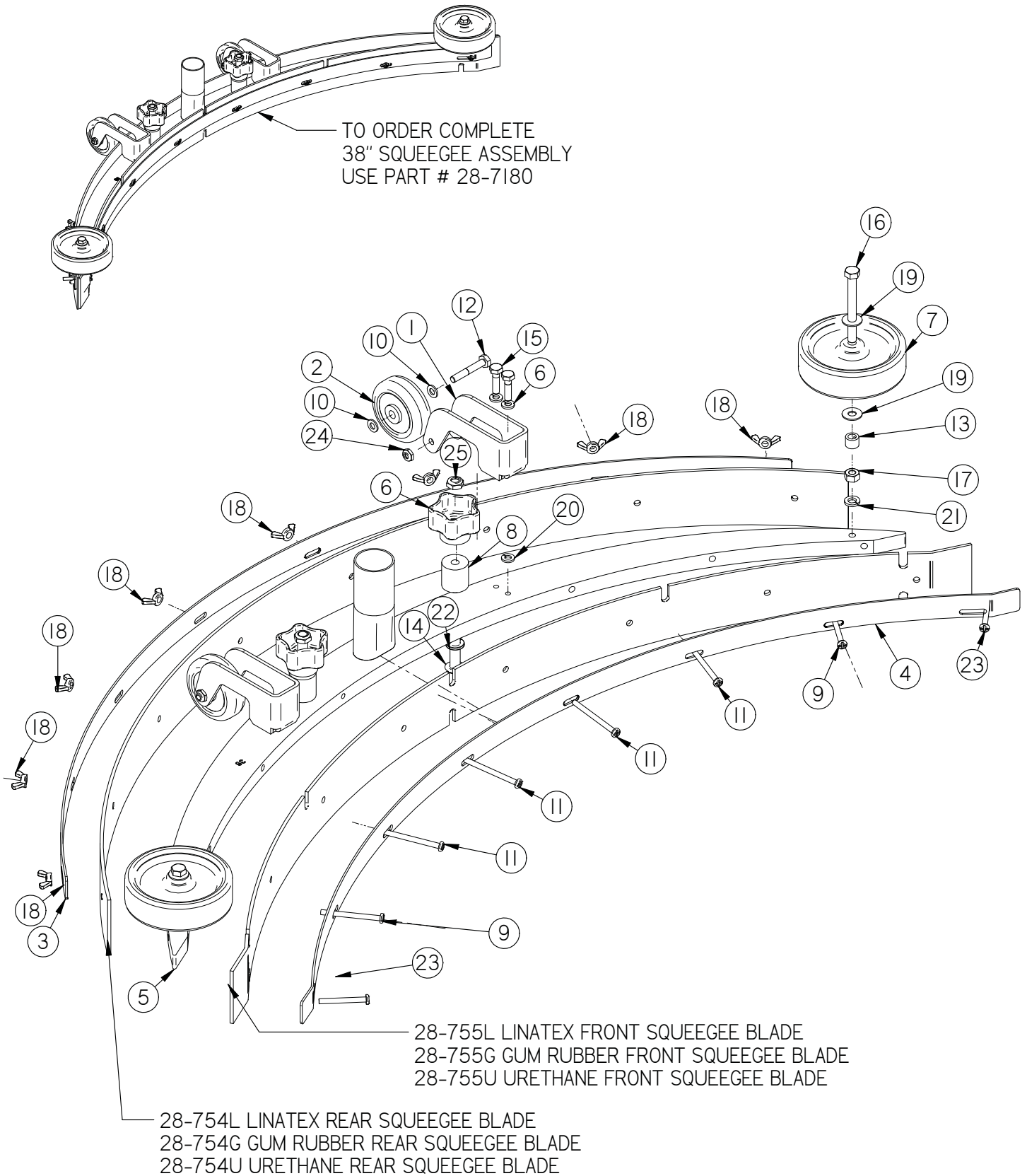
Item	Part No.	Part Description	Qty.
1	21-7220	SQUEEGEE TRAIL MOUNTS	2
2	21-7570	BACK UP WHEEL (GREY)	2
3	23-7160	SQUEEGEE BAND, REAR	1
4	23-7170	SQUEEGEE BAND, FRONT	1
5	23-7181	32" SQUEEGEE BODY	1
6	290-5786	STAR KNOB, 3/8-16 THREAD	2
7	5-760B	4" SIDE WHEEL (GREY)	2
8	5-846	STANDOFF, 1.03"	2
9	H-00249	PPH #10-32 X 2 1/4" SS	2
10	H-00283	FW 1/4" NYLON	4
11	H-00288	PPH #10-32 X 2 1/2" SS	2
12	H-0172248	HCS 1/4"- 20 X 1.625" SS	2
13	H-33371	5/16" ID SHAFT COLLAR	2
14	H-37350	BHSCS 3/8"- 16 X 3-1/2" S/S	2
15	H-70003	HCS 1/4"- 20 X 3/4" SS	4
16	H-70065	HCS 5/16"- 18 X 3" SS	2
17	H-70711	HN 5/16"- 18 SS	2
18	H-70908	WINGNUT 10-32 SS	8
19	H-71015	FW 5/16" X 3/4" SAE SS	4
20	H-71063	LW 1/4" SS	6
21	H-71065	LW 5/16" SS	2
22	H-71067	LW 3/8" SS	2
23	H-72555	PPH #10-32 X 1 3/4" SS	2
24	H-72556	PPH #10-32 X 2" SS	2
25	H-NJ04C	JNYL 1/4" - 20 SS	2
26	H-NJ06C	JNYL 3/8- 16 SS	2

# 34 35 Inch Squeegee

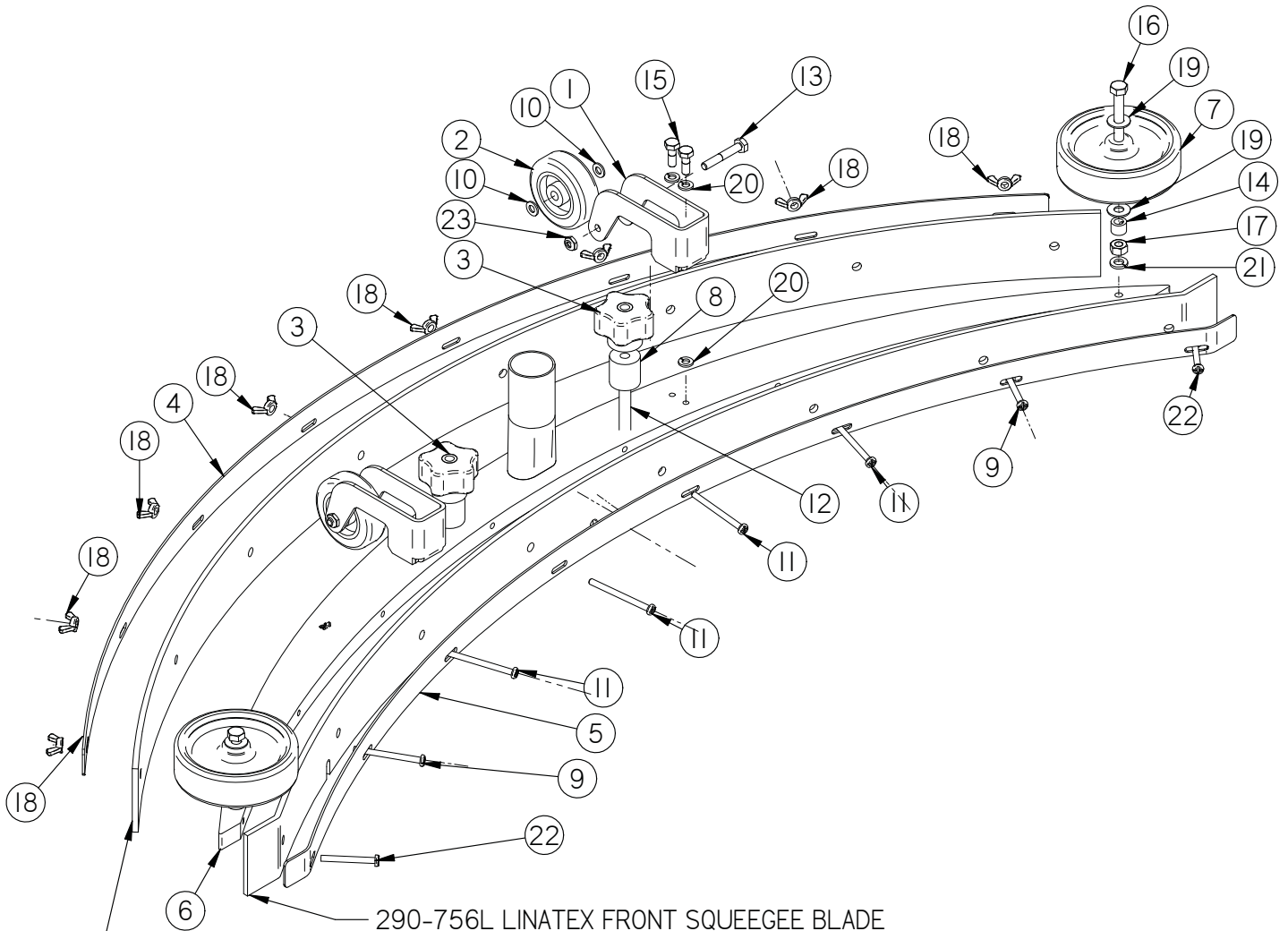
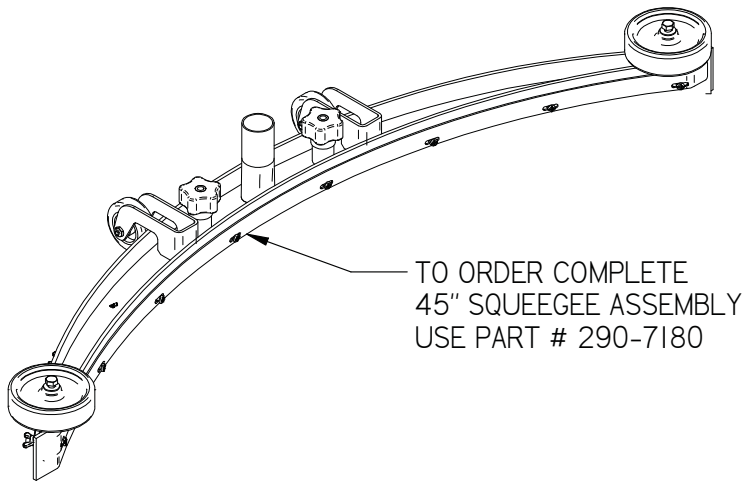


Item	Part No.	Part Description	Qty.
1	21-7220	SQUEEGEE TRAIL MOUNTS	2
2	21-7570	BACK UP WHEEL (GREY)	2
3	25-7160	SQUEEGEE BAND, REAR	1
4	25-7170	SQUEEGEE BAND, FRONT	1
5	25-7181	35" SQUEEGEE BODY	1
6	290-5786	STAR KNOB, 3/8-16 THREAD	2
7	5-760B	4" SIDE WHEEL (GREY)	2
8	5-846	STANDOFF, 1.03"	2
9	H-00249	PPH #10-32 X 2 1/4" SS	2
10	H-00283	FW 1/4" NYLON	4
11	H-00288	PPH #10-32 X 2 1/2" SS	2
12	H-0172248	HCS 1/4"- 20 X 1.625" SS	2
13	H-33371	5/16" ID SHAFT COLLAR	2
14	H-37350	BHSCS 3/8"- 16 X 3-1/2" S/S	2
15	H-70003	HCS 1/4"- 20 X 3/4" SS	4
16	H-70065	HCS 5/16"- 18 X 3" SS	2
17	H-70711	HN 5/16"- 18 SS	2
18	H-70908	WINGNUT 10-32 SS	8
19	H-71015	FW 5/16" X 3/4" SAE SS	4
20	H-71063	LW 1/4" SS	6
21	H-71065	LW 5/16" SS	2
22	H-71067	LW 3/8" SS	2
23	H-72555	PPH #10-32 X 1 3/4" SS	2
24	H-72556	PPH #10-32 X 2" SS	2
25	H-NJ04C	JNYL 1/4" - 20 SS	2
26	H-NJ06C	JNYL 3/8- 16 SS	2

# 36 38 Inch Squeegee



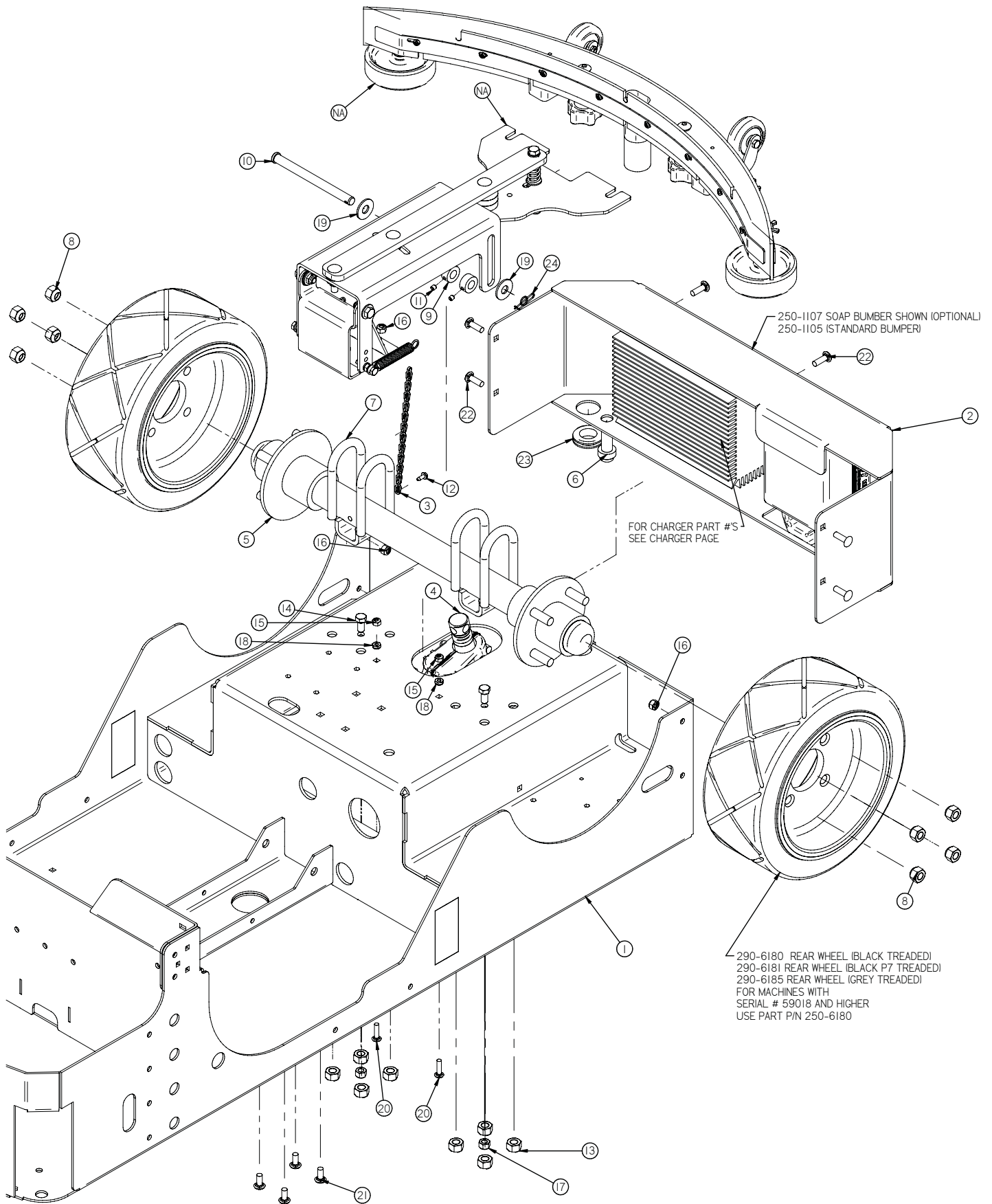
Item	Part No.	Part Description	Qty.
1	21-7220	SQUEEGEE TRAIL MOUNTS	2
2	21-7570	BACK UP WHEEL (GREY)	2
3	28-7160	38" SQUEEGEE BAND, REAR	1
4	28-7170	38" SQUEEGEE BAND, FRONT	1
5	28-7181	38" SQUEEGEE BODY	1
6	290-5786	STAR KNOB, 3/8-16 THREAD	2
7	5-760B	4" SIDE WHEEL (GREY)	2
8	5-846	STANDOFF, 1.03"	2
9	H-00249	PPH #10-32 X 2 1/4" SS	2
10	H-00283	FW 1/4" NYLON	4
11	H-00288	PPH #10-32 X 2 1/2" SS	4
12	H-0172248	HCS 1/4"- 20 X 1.625" SS	2
13	H-33371	5/16" ID SHAFT COLLAR	2
14	H-37350	BHSCS 3/8"- 16 X 3-1/2" S/S	2
15	H-70005	HCS 1/4"- 20 X 1" SS	4
16	H-70065	HCS 5/16"- 18 X 3" SS	2
17	H-70711	HN 5/16"- 18 SS	2
18	H-70908	WINGNUT 10-32 SS	8
19	H-71015	FW 5/16" X 3/4" SAE SS	4
20	H-71063	LW 1/4" SS	6
21	H-71065	LW 5/16" SS	2
22	H-71067	LW 3/8" SS	2
23	H-72555	PPH #10-32 X 1 3/4" SS	2
24	H-NJ04C	JNYL 1/4" - 20 SS	2
25	H-NJ06C	JNYL 3/8- 16 SS	2



- 290-756L LINATEX FRONT SQUEEGEE BLADE
- 290-756G GUM RUBBER FRONT SQUEEGEE BLADE
- 290-756U URETHANE FRONT SQUEEGEE BLADE
- 7-753L LINATEX REAR SQUEEGEE BLADE
- 7-753G GUM RUBBER REAR SQUEEGEE BLADE
- 7-753U URETHANE REAR SQUEEGEE BLADE

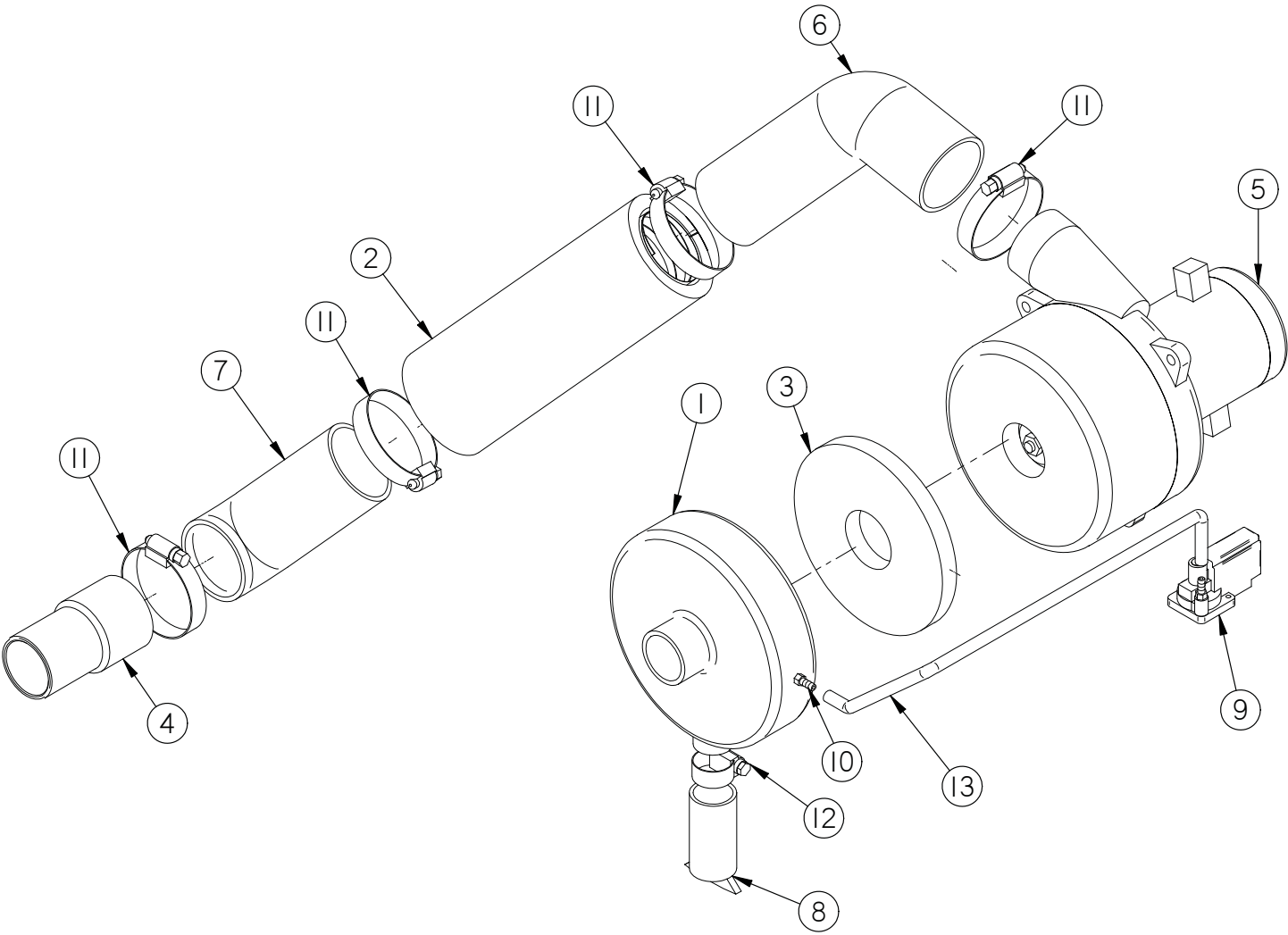
Item	Part No.	Part Description	Qty.
1	21-7220	SQUEEGEE TRAIL MOUNTS	2
2	21-7570	BACK UP WHEEL (GREY)	2
3	290-5786	3/8-16 KNOB	2
4	290-7160	SQUEEGEE BAND, REAR	1
5	290-7170	SQUEEGEE BAND, FRONT	1
6	290-7181	45" SQUEEGEE BODY	1
7	5-760B	4" SIDE WHEEL (GREY)	2
8	5-846	STANDOFF, 1.03"	2
9	H-00249	PPH #10-32 X 2 1/4" SS	2
10	H-00283	FW 1/4" NYLON	4
11	H-00288	PPH #10-32 X 2 1/2" SS	4
12	H-00568	STUD 3/8"- 16 X 2 1/2" SS	2
13	H-0172248	HCS 1/4"- 20 X 1.625" SS	2
14	H-33371	5/16" ID SHAFT COLLAR	2
15	H-70003	HCS 1/4"-20 X 3/4" SS	4
16	H-70065	HCS 5/16"- 18 X 3" SS	2
17	H-70711	HN 5/16"- 18 SS	2
18	H-70908	WINGNUT 10-32 SS	8
19	H-71015	FW 5/16 ID X 3/4 OD SS	4
20	H-71063	LW 1/4" SS	6
21	H-71065	LW 5/16" SS	2
22	H-72555	PPH #10-32 X 1 3/4" SS	2
23	H-NJ04C	JNYL 1/4" - 20 SS	2

# 40 Squeegee Trail Arm and Rear Axle

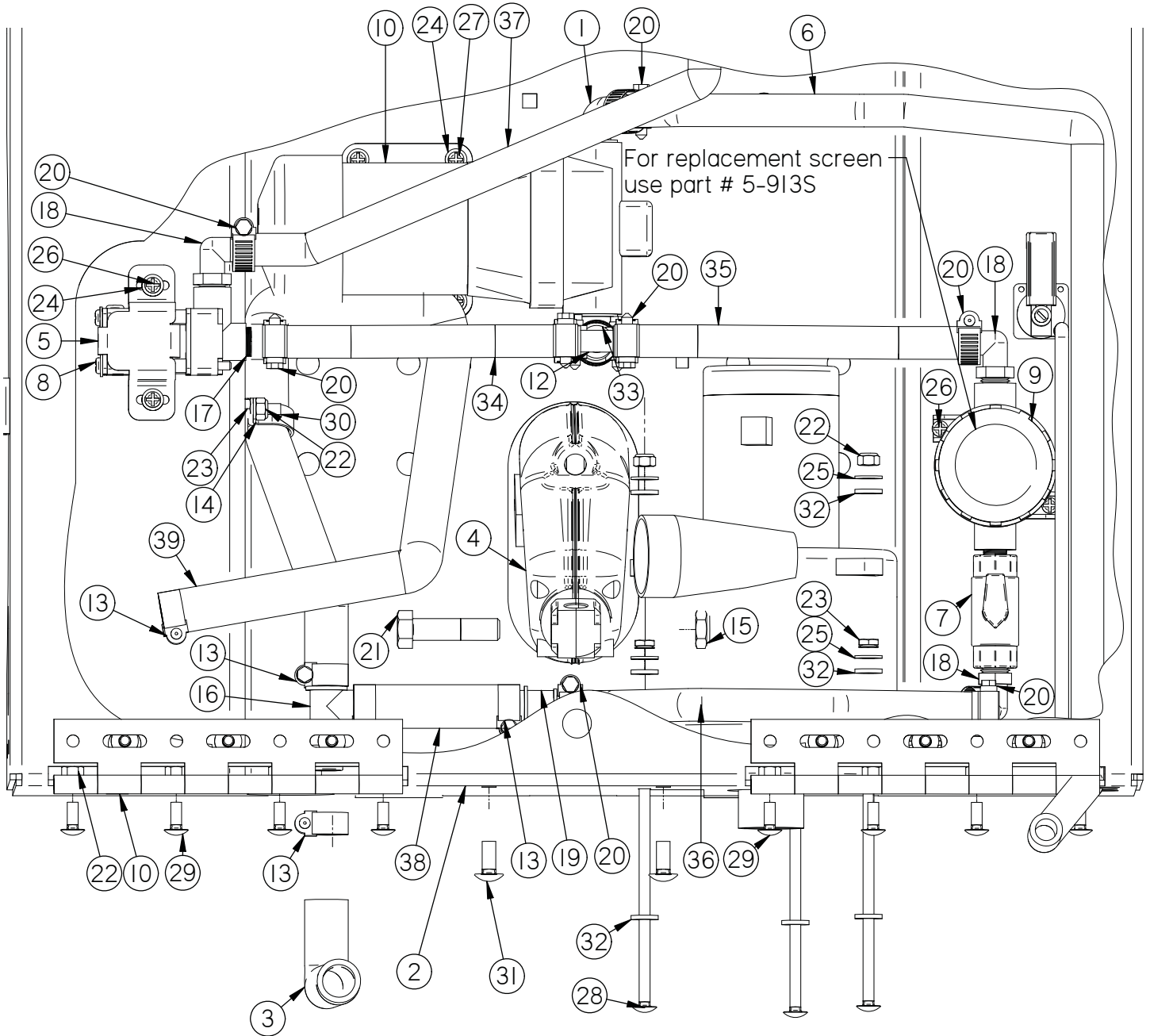




Item	Part No.	Part Description	Qty.
1	250-1000	MAIN FRAME	1
2	250-1107	GTX REAR SUDS BUMPER	1
3	250-1618	8" GOLD GROUDING CHAIN	1
4	250-2240	2" STROKE 36V ACTUATOR 450 LB LOAD	1
5	250-6040	250 REAR AXLE	1
6	253-2300	CHARGER STATUS INDICATOR	1
7	290-6186	1/2-20 X 1-1/4 " U BOLT	4
8	290-6187	LUG NUT, 1/2"- 20	8
9	H-03660	1/2" ID X 7/16" LG SETSCREW SHAFT COLLAR	2
10	H-04720	1/2" X 6.0" CLEVIS PIN	1
11	H-25379	SETSCREW, KCP, 1/4"-20 X 1/4"	2
12	H-31810	HW #10 X 1/2	1
13	H-37130	NYLOK NUT, 1/2"- 20	8
14	H-70103	HCS 3/8"-16 X 3/4" SS	2
15	H-70860	NYLOK 1/4"- 20 SS	2
16	H-70861	NYLOK 5/16" - 18 SS	6
17	H-70862	NYLOK 3/8"-16 SS	2
18	H-70925	KN 1/4-20 S/S	2
19	H-71021	FW 1/2" USS	2
20	H-74420	CB 1/4"- 20 X 1.0" SS	2
21	H-74429	CB 5/16"- 18 X 3/4" SS	4
22	H-74430	CB 5/16"- 18 X 1" SS	8
23	H-9307K74	GROMMET, 1" ID X 1-3/4" OD BUNA-N	1
24	H-RUE22	1/2" RUE RING COTTER	1

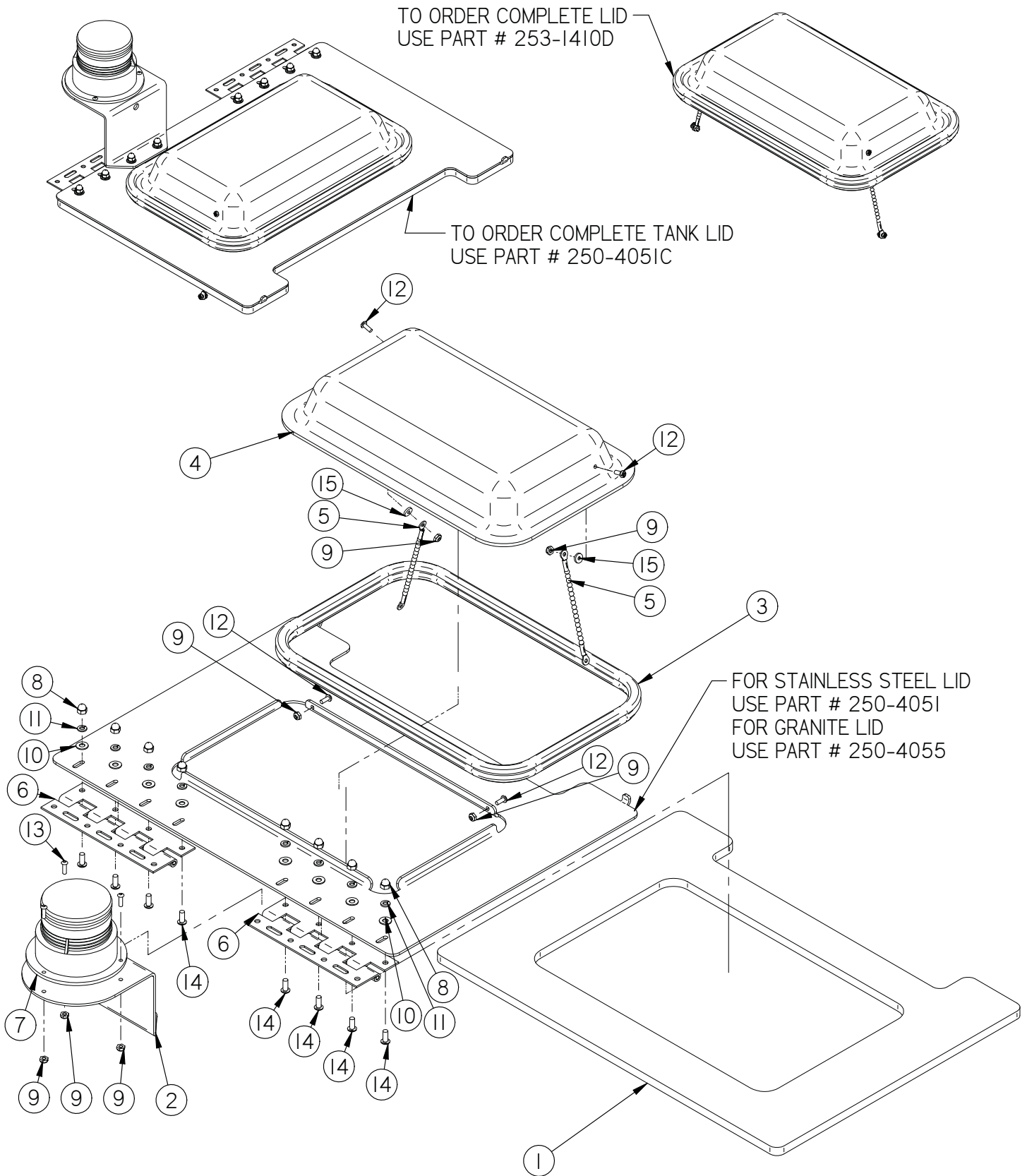


Item	Part No.	Part Description	Qty.
1	190-1450	VAC BOX	1
2	190-2502	VACUUM FAN MUFFLER, 8" LG	1
3	190-3002	VAC MOTOR GASKET	1
4	21-4072	HOSE CUFF, 1 1/2"	1
5	250-5250	36V VAC MOTOR, TANGENTAL	1
6	370-0121	2" ID X 12" LG. EXHAUST HOSE	1
7	370-0121	2" ID X 5" LG. VAC EXHAUST HOSE	1
8	390-1505	LOADER VALVE	1
9	390-2328	SWITCH, VACUUM SHUTOFF	1
10	390-2328A	VACUUM SWITCH BARB	1
11	5-719	CLAMP 1 9/16 - 2 1/2 " SS	4
12	H-081	CLAMP 1.0"- 1-1/8" SS	1
13	TI25CI200	1/8" ID X 12" LG. VAC SWITCH TUBING	1



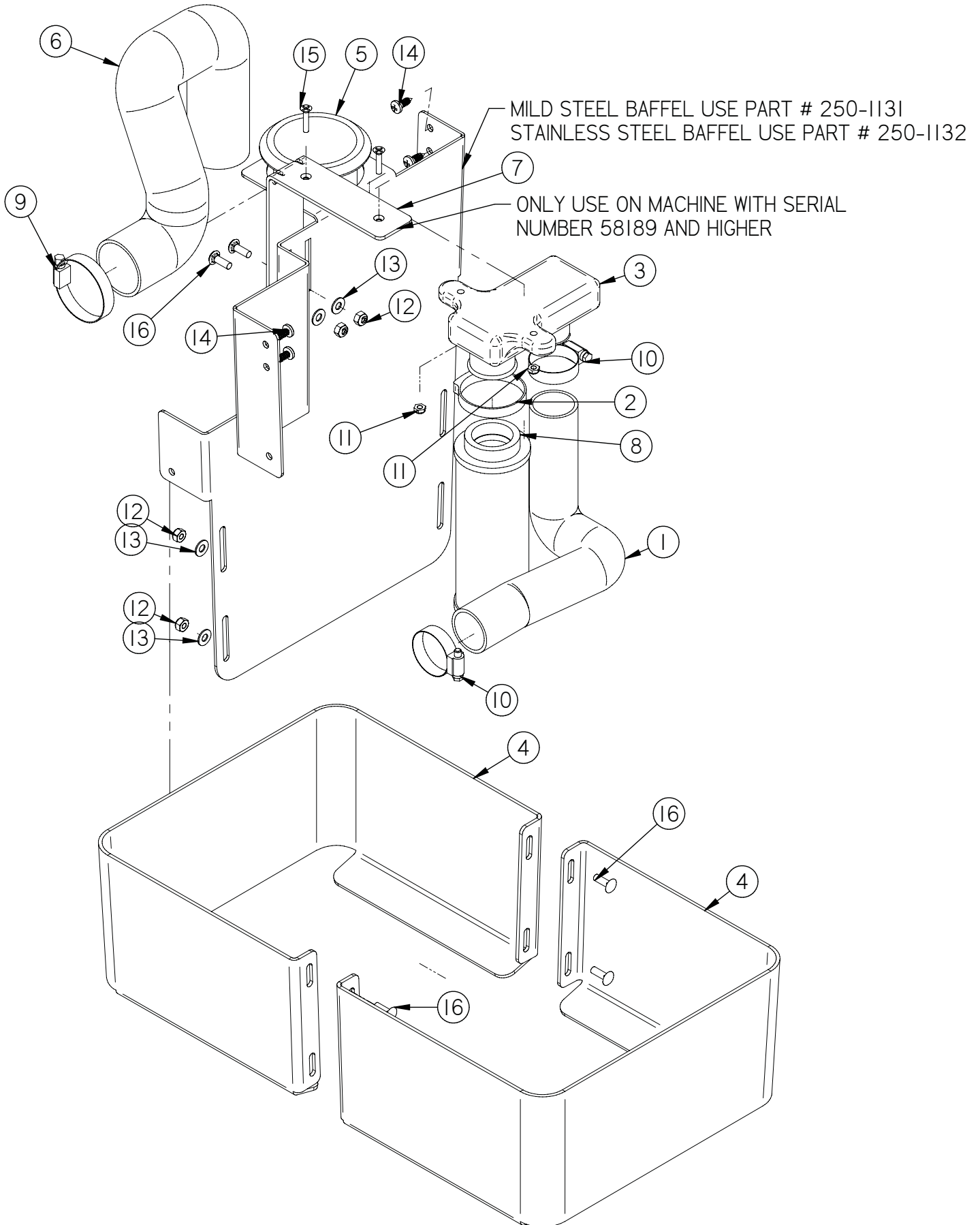
Item	Part No.	Part Description	Qty.
1	21-1601	1/2" BARBED ELBOW (PLASTIC)	2
2	250-1000	MAIN FRAME	1
3	250-1370	SIGHT TUBE/ SOLUTION DRAIN	1
4	250-2240	2" STROKE 36V ACTUATOR 450 LB LOAD	1
5	250-5280	VALVE BRACKET	1
6	290-8960	SPRAY JET HOSE	1
7	370-4158	BALL VALVE, 3/8"	1
8	370-7245	FLOW VALVE	1
9	370-9130	INLINE FILTER	1
10	430-8910	PUMP, WATER JET, 36V	1
11	5-122	8" SS HINGE	2
12	5-446	1/2 " PLASTIC BARB TEE	1
13	5-848	CLAMP 9/16"- 1 1/16" SS	5
14	H-0127296	LOOP CLAMP, 1.0"	2
15	H-0129159	JNYL, 1/2"-13, 18-8 SS	1
16	H-02930	3/4 " PLASTIC BARB TEE	1
17	H-04763	.375 NPT X .50 BARB	1
18	H-04764	ELBOW, 3/8" MNPT X 1/2" BARB X 90 DEG, NYLON	3
19	H-04908	3/4" to 1/2" COUPLING	1
20	H-081	CLAMP 7/16"- 25/32" SS	10
21	H-70211	HCS 1/2"-13 X 2.0" SS	1
22	H-70860	NYLOK 1/4"- 20 SS	11
23	H-70925	KN 1/4-20 S/S	3
24	H-71009	FW #10 SS	5
25	H-71013	FW 1/4 ID X 5/8 OD SS	4
26	H-72517	PPH #10-32 X 5/8" SS	4
27	H-72536	PPH #10-32 X 1" S/S	3
28	H-74400	CB 1/4"- 20 X 6.0" SS	3
29	H-74418	CB 1/4"- 20 X 5/8" S/S	8
30	H-74420	CB 1/4"- 20 X 1.0" SS	1
31	H-74429	CB 5/16"- 18 X 3/4" SS	3
32	M-90130A029	.25" NEOPRENE WASHER	7
33	T-050R0300	1/2" ID X 3" LG TUBING	1
34	T-050R0700	1/2" ID X 7" LG TUBING	1
35	T-050R0900	1/2" ID X 9" LG TUBING	1
36	T-050R1300	1/2" ID X 13" LG TUBING	1
37	T-050R2600	1/2" ID X (26" DISK) (60" CYL.) LG TUBING	1
38	T-075R0300	3/4" ID X 3" LG TUBING	1
39	T-075R3300	3/4" ID X 33" LG TUBING	1

# 46 Tank Lid



Item	Part No.	Part Description	Qty.
1	250-4050	RECOVERY TANK GASKET	1
2	250-7185	STROBE LIGHT BRACKET	1
3	253-1075	PUSH-ON RUBBER GASKET	1
4	253-1410	VAC FORMED CLEAR COVER	1
5	370-4060	6" LANYARD	2
6	5-122	8" SS HINGE	2
7	8-293	STROBE LIGHT	1
8	H-37708	1/4-20 LC ACORN NUT	8
9	H-70858	NYLOK #10-32 SS	9
10	H-71013	FW 1/4 ID X 5/8 OD SS	8
11	H-71063	LW 1/4" SS	8
12	H-72515	PPH #10-32 X 1/2" S/S	6
13	H-73744	BHSCS 10-32 X 5/8" SS	3
14	H-73753	BHSCS 1/4 - 20 X 5/8" SS	8
15	H-90133	.170 ID X .50 OD X .093 TH NEOPRENE WASHER	2

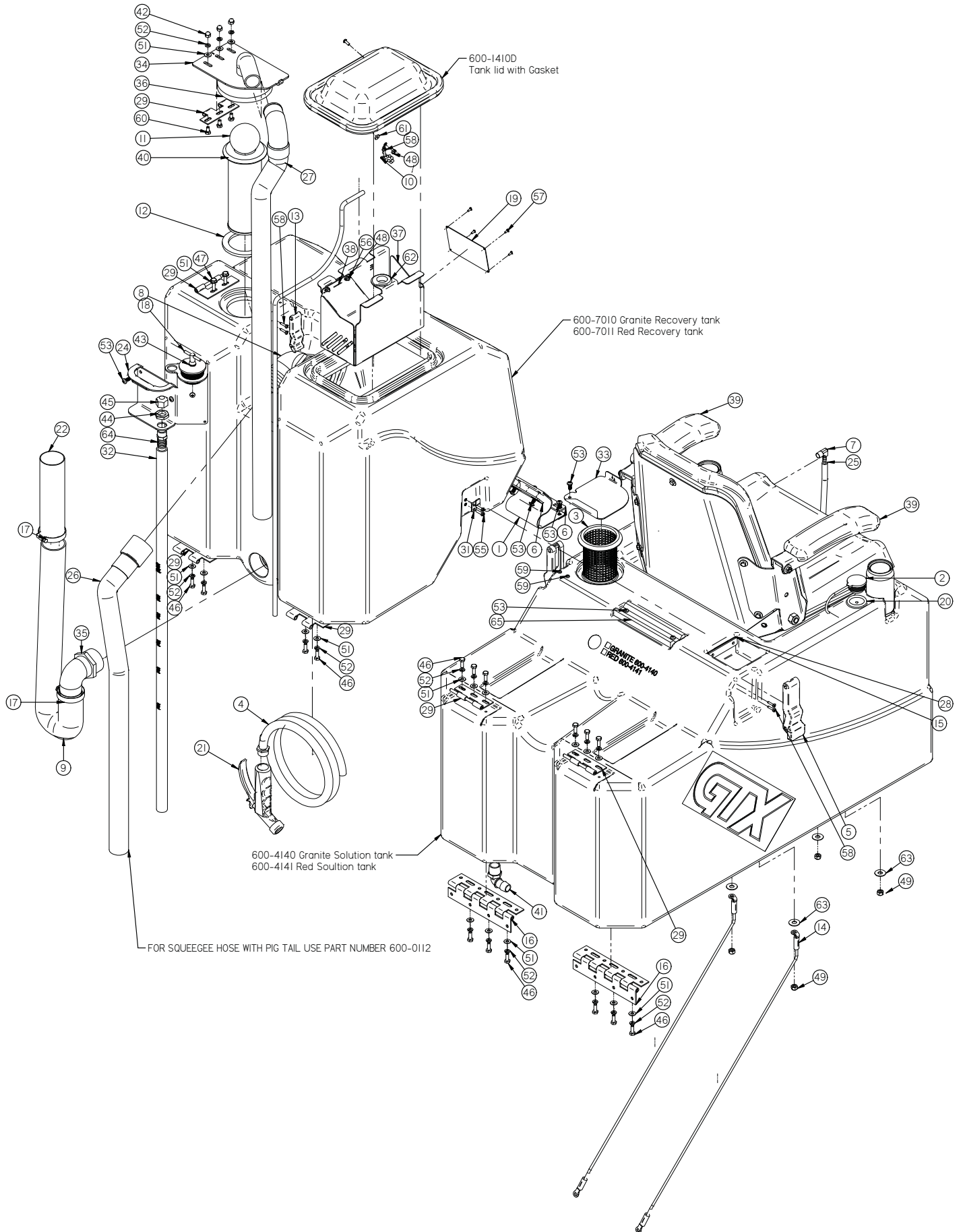
# 48 Tank Baffle



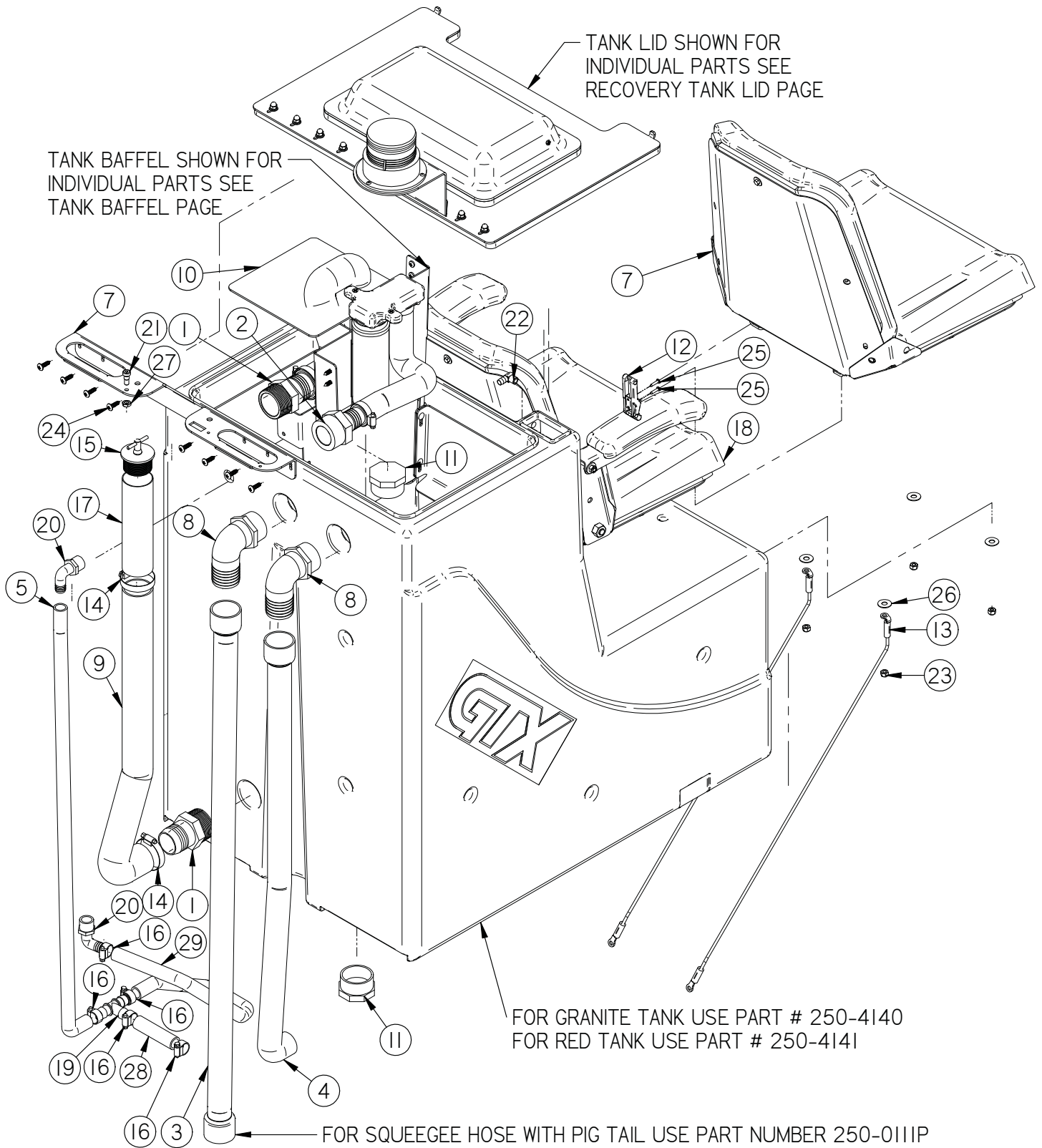


Item	Part No.	Part Description	Qty.
1	170-0120	1.5" INNER TANK HOSE	1
2	21-4028	SNAP GRIP CLAMP	2
3	21-7060	VAC BOX	1
4	250-0081	UPPER TANK BRACE	2
5	250-8911	SCREEN STRAINER	1
6	370-0121	2" INNER TANK HOSE	1
7	370-1122	BALL FLOAT HOLDER	1
8	370-4085	VAC SCREEN	1
9	5-719	CLAMP 1 9/16 - 2 1/2 " SS	1
10	H-0427612	CLAMP 3/4"- 1-3/4" SS	2
11	H-70858	NYLOK #10-32 SS	2
12	H-70860	NYLOK 1/4"- 20 SS	6
13	H-71013	FW 1/4 ID X 5/8 OD SS	6
14	H-71893	1/4 X 3/4 SELF TAPPING SCREW	4
15	H-72685	FHP 10-32 X 1" SS	2
16	H-74419	CB 1/4"- 20 X .75" SS	6

# 50 Solution/Recovery Tank - Serial Number #76765 and Greater

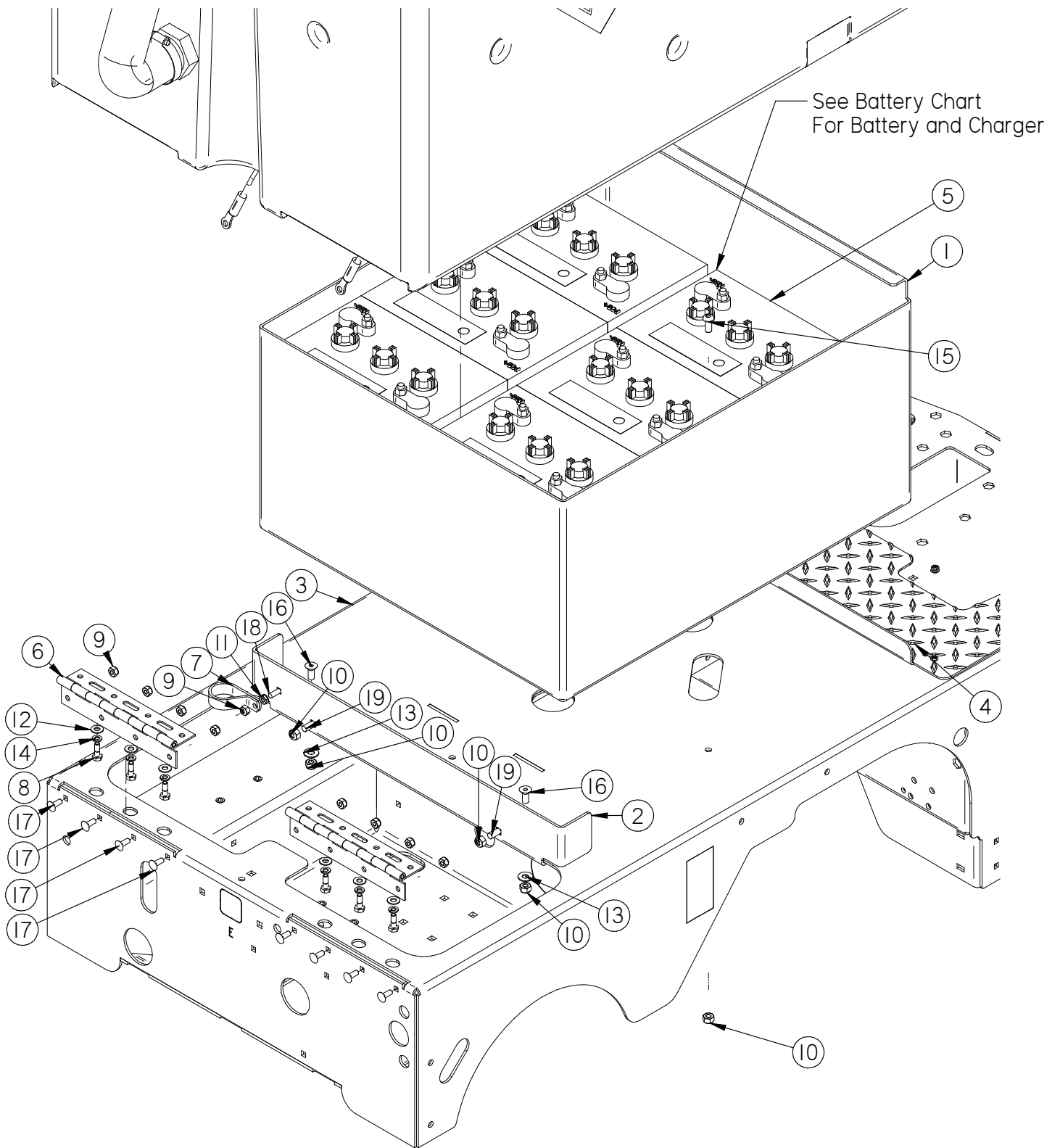


Item	Part No.	Part Description	Qty.
1	170-1045	TANK STRAP, 22" LG X 4" WIDE	1
2	170-7211	HOSE CAP	2
3	170-8911	SCREEN STRAINER, 4-1/4" LG	1
4	21-8960	SPRAY JET HOSE	1
5	250-1240	LATCH	2
6	253-1040	TANK STRAP SUPPORT	2
7	290-4149	1/4" NPT X 1/4" BARB X 90 DEG	2
8	290-7040	2" NPT X 2" BARB STREET ELBOW, BLACK	1
9	290-7210	2 INCH DRAIN HOSE	1
10	370-4060	6" LANYARD	1
11	38-712	OVERFILL SHUTOFF BALL	1
12	38-738	STRAINER GASKET	1
13	4-124	LATCH	1
14	4-126A	HOOD CABLE	2
15	4-528	CORNER SEAL STRIP	1
16	5-122	8" SS HINGE	2
17	5-719	CLAMP 1 9/16 - 2 1/2 " SS	2
18	5-727	DRAIN HOSE PLUG	1
19	5-728	DETERGENT WARNING PLATE	1
20	5-8290	O-RING, #324, 1.35" X 1.77" X .210" BUNA-N	2
21	5-895	SPRAY NOZZLE	1
22	5-920	DRAIN HOSE END TUBE	1
23*	500-1230	CURTAIN BAND	1
24	500-7180	(LH) TANK UTILITY HANDLE	1
25	600-0110	FRONT SIGHT TUBE	1
26	600-0111	SQUEEGEE HOSE	1
27	600-0117	VAC HOSE	1
28	600-1129	SOLUTION CURTIAN	1
29	600-1220	4" SS HINGE	3
30*	600-1229	SPLASH CURTAIN	1
31	600-1240	600-1240 clippsm	2
32	600-1370	SIGHT TUBE	1
33	600-1405	SOLUTION FILL LID	1
34	600-4110	VAC SCREEN INLET	1
35	600-7040	2" NPT X 2" BARB STREET ELBOW, BLACK	1
36	600-7390	VAC INLET GASKET	1
37	600-8912	SMALL DRAIN SAVER BASKET	1
38	600-8913	DEFLECTOR PLATE	1
39	8-143	SEAT WITH ARM RESTS	1
40	8-911	SCREEN STRAINER	1
41	H-04907	3/4" NPT TO 3/4" BARBED ELBOW	1
42	H-37708	1/4-20 LC ACORN NUT	3
43	H-4440024	FW 3/8" X 3/4 NYLON	1
44	H-68600	1/2" NPT BRASS NUT	1
45	H-69843	.50 NPT CAP	1
46	H-70003	HCS 1/4"-20 X 3/4" SS	16
47	H-70005	HCS 1/4"- 20 X 1" SS	2
48	H-70858	NYLOK #10-32 SS	3
49	H-70861	NYLOK 5/16" - 18 SS	4
50*	H-70925	KN 1/4-20 S/S	2
51	H-71013	FW 1/4 ID X 5/8 OD SS	21
52	H-71063	LW 1/4" SS	19
53	H-71893	1/4 X 3/4 SELF TAPPING SCREW	10
54*	H-72517	PPH #10-32 X 5/8" SS	1
55	H-72534	PPH #10-32 X 3/4" S/S	4
56	H-72682	FHP #10-32 X 1/2" SS	2
57	H-72902	PPH SMS #6 X 3/8" SS	4
58	H-72916	PPH SMS #8 X 3/4" SS	7
59	H-72930	PPH SMS #10 X 3/4" SS	2
60	H-74418	CB 1/4"- 20 X 5/8" S/S	3
61	H-90133	.170 ID X .50 OD X .093 TH NEOPRENE WASHER	1
62	H-9307K74	GROMMET, 1" ID X 1-3/4" OD BUNA-N	1
63	H-99001	FW 3/8" SS NOM ID .4375 X OD 1.0	4
64	M-5346K68	.50 NPT X .75 BARB	1
65	M-8146A44	GREY TANK RUBBER 7.25 INCH.par	1



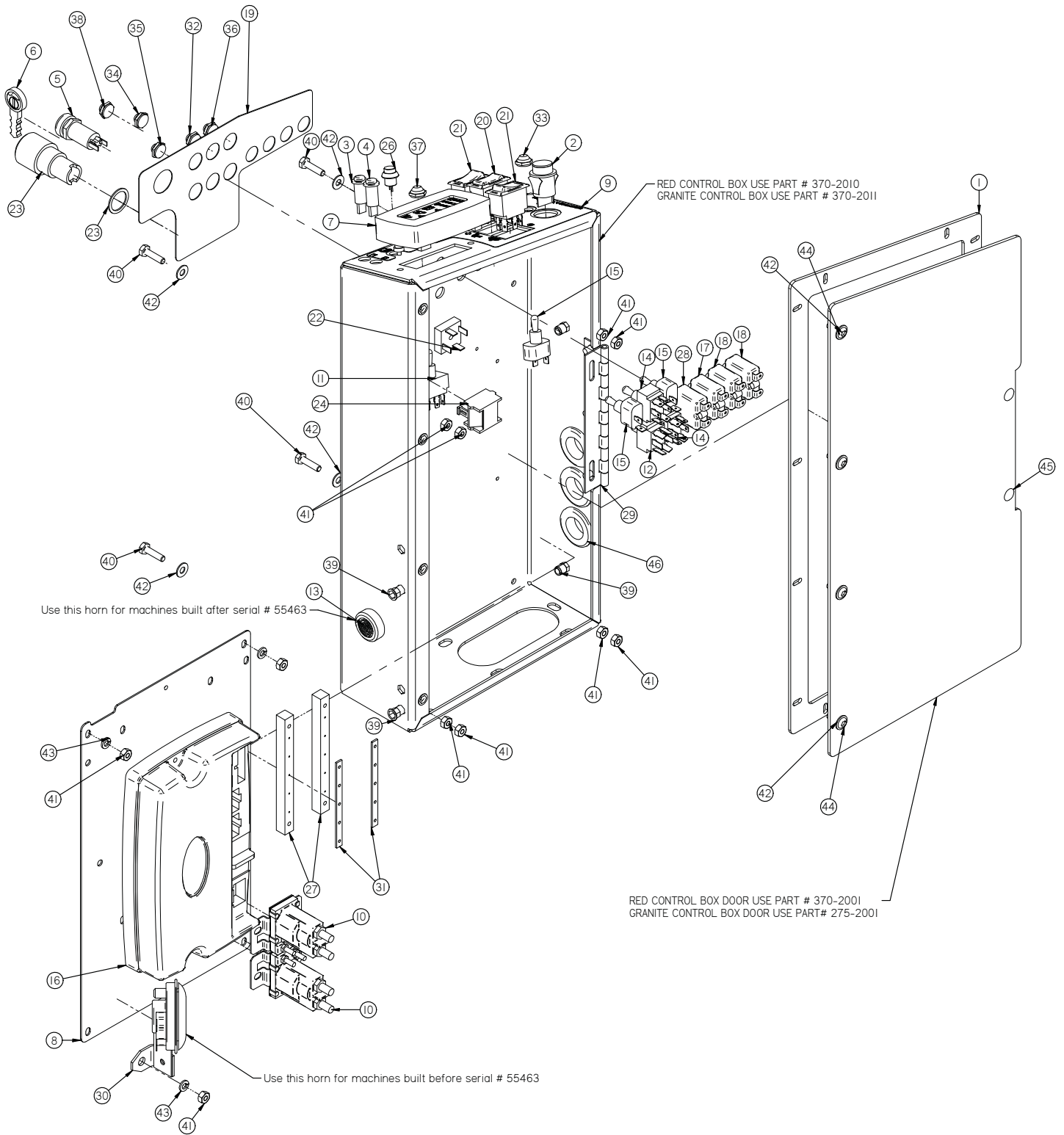
Item	Part No.	Part Description	Qty.
1	190-1210	2.0 NPT X 2.0" BARB	2
2	190-1215	2.0 NPT X 1.50 BARB	1
3	250-0111	SQUEEGEE HOSE	1
4	250-0117	VAC TO TANK HOSE	1
5	250-1370	SIGHT TUBE/ SOLUTION DRAIN	1
6	250-1430	SEAT	1
7	250-7180	DRAIN HOSE BRACKET	1
8	290-7040	2" NPT X 2" BARB STREET ELBOW, BLACK	2
9	290-7210	DRAIN HOSE	1
10	370-1129	TANK BACK SPLASH	1
11	370-1210	2" NPT TANK PLUG	2
12	4-124	LATCH	1
13	4-126A	HOOD CABLE	2
14	5-719	CLAMP 1 9/16 - 2 1/2 " SS	2
15	5-727	DRAIN HOSE PLUG	1
16	5-848	CLAMP 9/16"- 1 1/16" SS	5
17	5-920	DRAIN HOSE END TUBE	1
18	8-143	SEAT WITH ARM RESTS	1
19	H-04906	3/4 " PLASTIC BARB TEE	1
20	H-04907	3/4" NPT TO 3/4" BARBED ELBOW	2
21	H-25444	SB 3/8" X 3/8" SS	1
22	H-53525	1/4" NPT X 1/2" BARB X 90 DEG	1
23	H-70861	NYLOK 5/16" - 18 SS	4
24	H-71894	#14 X 1" SELF TAPPING SCREW	8
25	H-72916	PPH SMS #8 X 3/4" SS	2
26	H-99001	FW 3/8" SS NOM ID .4375 X OD 1.0	4
27	H-NJ06C	JNYL 3/8- 16 SS	1
28	T-075R0300	3/4" ID X 3" LG TUBING	1
29	T-075R3300	3/4" ID X 33" LG TUBING	1

# 54 Attaching Tank and Batteries



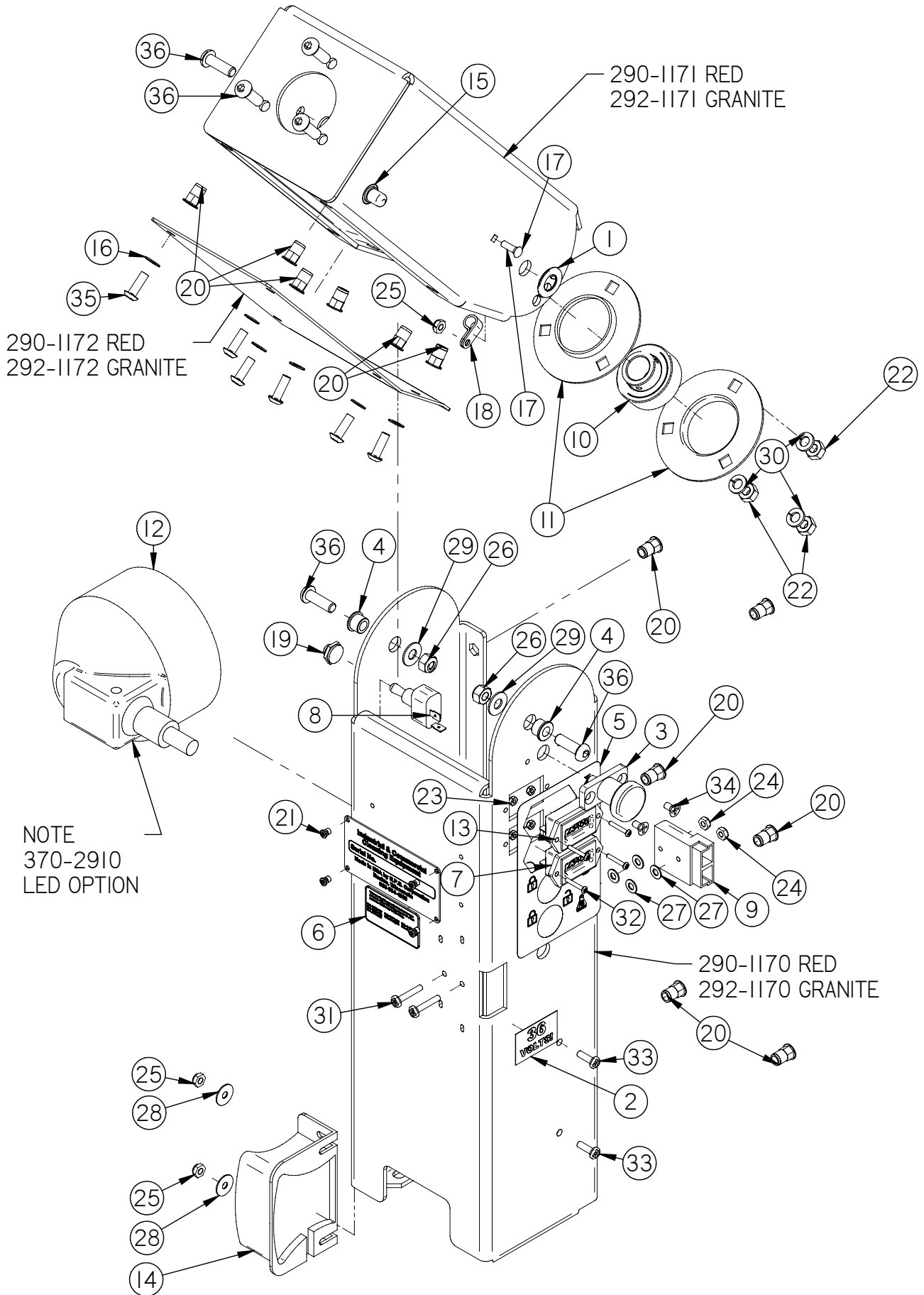
Item	Part No.	Part Description	Qty.
1	250-0000	250 BATTERY BOX	1
2	250-0003	BATTERY BRACKET	1
3	250-1000	MAIN FRAME	1
4	250-1611	GTX NON SKID FLOOR PLATE	1
5	250-2110	BATTERY 6 V 245 AH	6
6	5-122	8" SS HINGE	2
7	H-3225T	RUBBER LOOP CLAMP, 1-1/2"	1
8	H-70003	HCS 1/4"-20 X 3/4" SS	8
9	H-70860	NYLOK 1/4"- 20 SS	9
10	H-70861	NYLOK 5/16" - 18 SS	6
11	H-70925	KN 1/4-20 S/S	1
12	H-71013	FW 1/4 ID X 5/8 OD SS	8
13	H-71015	FW 5/16 ID X 3/4 OD SS	2
14	H-71063	LW 1/4" SS	8
15	H-73779	BHSCS 5/16-18 X 3/4"	2
16	H-73907	FHSCS 5/16"- 18 X 3/4" SS	2
17	H-74418	CB 1/4"- 20 X 5/8" S/S	8
18	H-74419	CB 1/4"- 20 X .75" SS	1
19	H-74429	CB 5/16"- 18 X 3/4" SS	2

Charger table					
Model	Battery	Off-Board (US)	Off-Board (Euro)	On-Board (US)	On-Board (Euro)
250/GTX	250-2110 (245 Ah)	250-2440	250-2442	250-2443	250-2444
	250-2111 (305 Ah)	250-2440	250-2442	250-2443	250-2444
	250-2114 (M-Free)	250-2450	250-2451	250-2452	250-2453

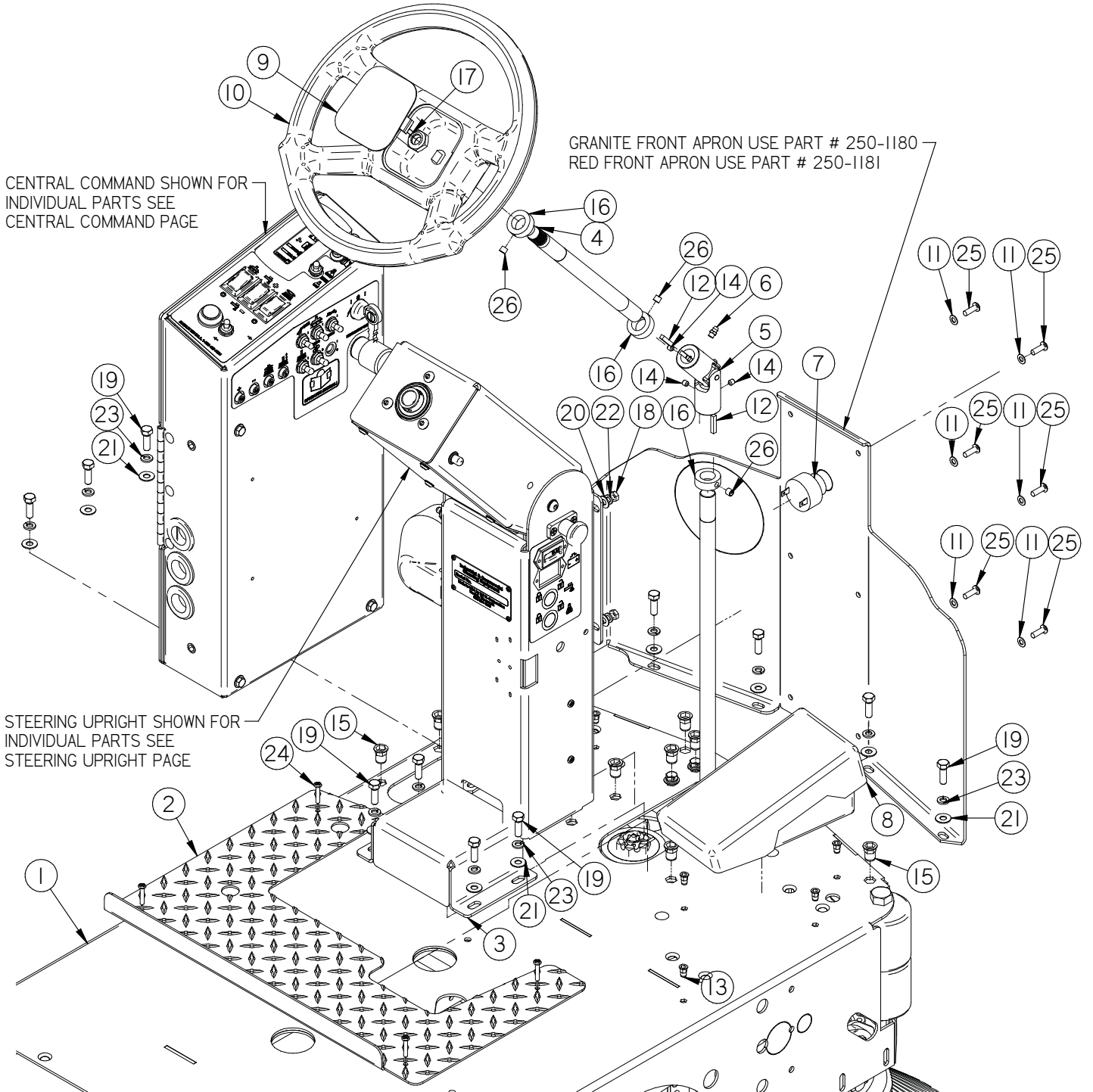




Item	Part No.	Part Description	Qty.
1	290-2004	ACCESS COVER GASKET	1
2	290-2015	ONE TOUCH BUTTON	1
3	290-2300	LOW SOLUTION (AMBER)	1
4	290-2310	FULL RECOVERY (RED)	1
5	290-234	KEY SWITCH (WITH KEY)	1
6	290-234A	KEY SET (REPLACE)	1
7	290-2891	LCD SCREEN	1
8	370-2006	HARDWARE PANEL	1
9	370-2013	CONTROL PANEL TOP PLATE	1
10	370-2331	RELAY, 36V, SMALL W/FLAT MTG PLATE	2
11	370-2830	SWITCH, TOGGLE, MOM/OFF/MOM (DPDT)	1
12	370-2831	SWITCH, TOGGLE, ON/OFF/ON (DPDT)	1
13	370-2920	ALARM	1
14	370-8210	SWITCH, TOGGLE, ON/ON (DPDT)	2
15	370-8920	TOGGLE, ON-OFF SPST	3
16	390-2899	CONTROLLER V4	1
17	390-9610	FUSE, RESETTABLE, 10 AMP, 50V DC MAX	1
18	390-9615	FUSE, RESETTABLE, 15 AMP, 50V DC MAX	2
19	420-1502	Central Command Decal	1
20	5-233	MOM-OFF-MOM DPDT	1
21	5-234	SWITCH, ROCKER, DPDT, ON/ON	2
22	5-296	DIODE BRIDGE	1
23	5-300	EMERGENCY SHUT OFF	1
24	5-302	EMERGENCY CONTACT BLACK	1
25*	5-728	DETERGENT WARNING PLATE	1
26	7-229D	PUSH BUTTON SWITCH	1
27	7-287	BUSS BAR UHMW	2
28	7-837	FUSE RESETTABLE 2 AMP	1
29	8-180	HINGE, 6-7/8" S/S	1
30	8-294	HORN	1
31	E-5HBB	5 HOLE BUSS BAR	2
32	H-11195	PROTECTIVE BOOT, TOGGLE SWITCH, (WHITE)	1
33	H-11196	PROTECTIVE BOOT, TOGGLE SWITCH, (RED)	1
34	H-11197	PROTECTIVE BOOT, TOGGLE SWITCH, (YELLOW)	1
35	H-11198	PROTECTIVE BOOT, TOGGLE SWITCH, (GREEN)	1
36	H-11199	PROTECTIVE BOOT, TOGGLE SWITCH, (BLUE)	1
37	H-11200	PROTECTIVE BOOT, TOGGLE SWITCH, (BLACK)	1
38	H-11201	PROTECTIVE BOOT, TOGGLE SWITCH, (GRAY)	1
39	H-250HCN	HCN 1/4"-20	8
40	H-70005	HCS 1/4"- 20 X 1" SS	4
41	H-70710	HN 1/4"- 20 SS	12
42	H-71013	FW 1/4 ID X 5/8 OD SS	8
43	H-71063	LW 1/4" SS	4
44	H-73754	BHSCS 1/4 - 20 X 3/4" SS	4
45	H-74417	CB 1/4"- 20 X .5" SS	5
46	H-9307K74	GROMMET, 1" ID X 1-3/4" OD BUNA-N	3

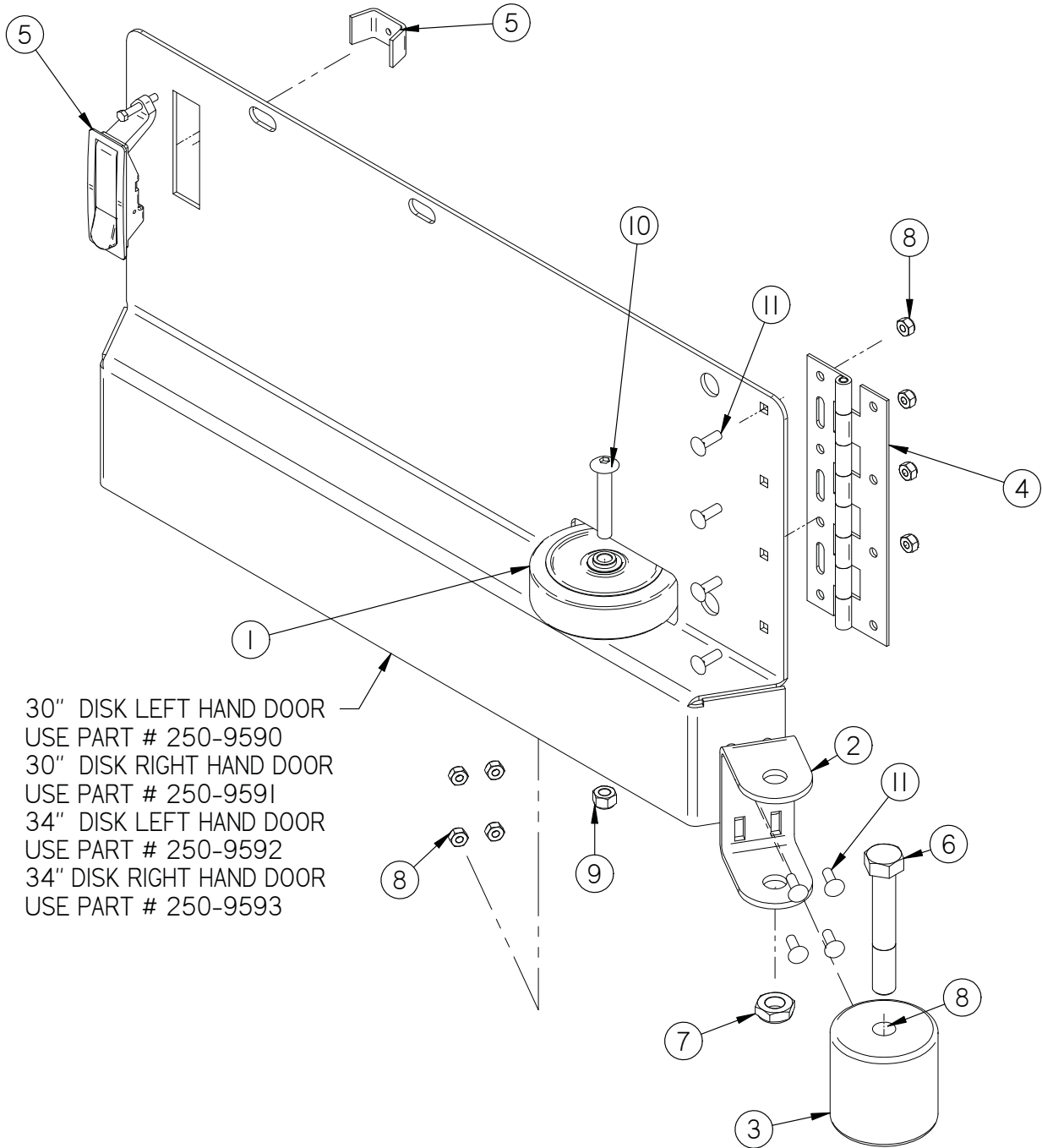


Item	Part No.	Part Description	Qty.
1	290-1247	BRONZE THRUST BEARING, .50" ID X 1.0" OD X 1/16" TH	2
2	290-1506	36 VOLT STICKER	1
3	290-7050	INDEX PLUNGER	1
4	370-1245	BUSHING	2
5	370-7204	METER STICKER	1
6	370-7206	PATENT PLATE	1
7	370-8261	CHARGER COUNTER	1
8	370-8920	TOGGLE, ON-OFF SPST	1
9	4-260	CONNECTOR, GREY 50	1
10	4-352	BEARING	1
11	4-364A	FLANGE, 1.75" ID	2
12	430-2910	36V HEADLIGHT	1
13	8-262	HOUR METER	1
14	8-292	BACKUP ALARM	1
15	8-294B	PUSH BUTTON SWITCH, SILVER	1
16	H-00282	FW 1/4" NYLON	6
17	H-0172519	CB #10-32 X 5/8" SS	1
18	H-02239	3/8" NYLON LOOP CLAMP	1
19	H-11200	PROTECTIVE BOOT, TOGGLE SWITCH, (BLACK)	1
20	H-250HCN	HCN 1/4"-20	12
21	H-41007	AB4-3A BLIND RIVET	4
22	H-70711	HN 5/16" - 18 SS	4
23	H-70854	NYLOK #4-40 SS	4
24	H-70856	NYLOK #8-32 SS	2
25	H-70858	NYLOK #10-32 SS	3
26	H-70861	NYLOK 5/16" - 18 SS	2
27	H-71009	FW #10 SS	4
28	H-71010	FW #10 ID X 11/16 OD SS	2
29	H-71015	FW 5/16 ID X 3/4 OD SS	2
30	H-71065	LW 5/16" SS	4
31	H-72418	PPH #8-32 X 1" S/S	2
32	H-72490	PPH #4-40 X 3/4" S/S	4
33	H-72517	PPH #10-32 X 5/8" SS	2
34	H-72681	FHP #10-32 X 3/8" SS	2
35	H-73754	BHSCS 1/4 - 20 X 3/4" SS	6
36	H-73780	BHSCS 5/16-18 X 1	6



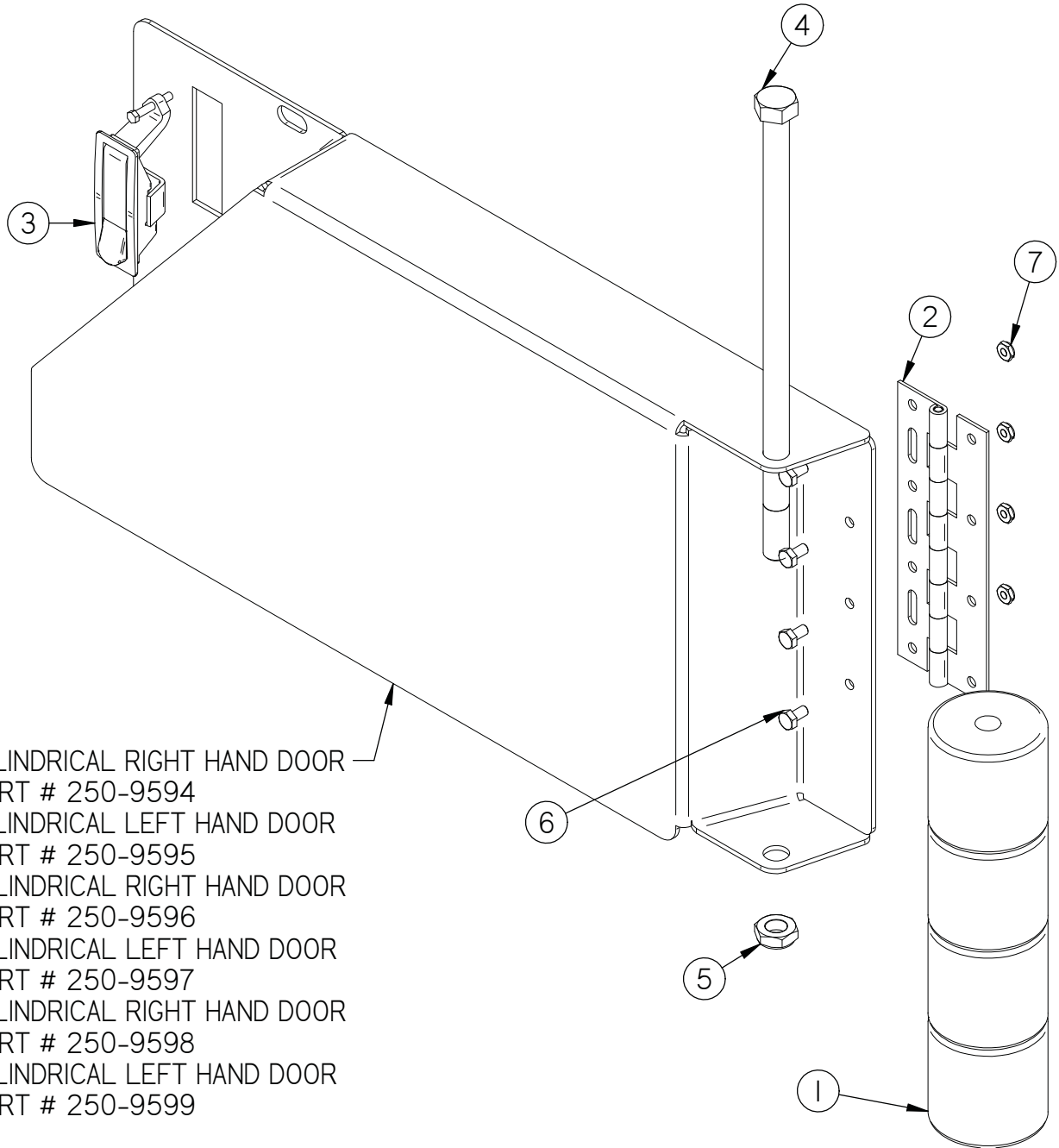
Item	Part No.	Part Description	Qty.
1	250-1000	MAIN FRAME	1
2	250-1611	GTX NON SKID FLOOR PLATE	1
3	290-1173	DRIVE COVER	1
4	290-7090	STEERING SHAFT, UPPER	1
5	290-7110	U-JOINT	1
6	290-7111	1/4-28 ZERK FITTING	1
7	370-2930	ALARM (91 dPa)	1
8	8-290	FOOT PEDAL	1
9	8-701A	STEERING COVER	1
10	8-703	STEERING WHEEL	1
11	H-00282	FW 1/4" NYLON	6
12	H-01125	3/16" X 1" KEY	2
13	H-1032HCN	HCN #10-32	10
14	H-25379	SETSCREW, KCP, 1/4"-20 X 1/4"	3
15	H-312HCN	HCN 5/16"-18	16
16	H-33376	SHAFT COLLAR, 3/4" ID X 9/16 LG	3
17	H-37038	JNYL 5/8"- 11	1
18	H-70003	HCS 1/4"-20 X 3/4" SS	2
19	H-70055	HCS 5/16"- 18 X 1" SS	13
20	H-71013	FW 1/4 ID X 5/8 OD SS	2
21	H-71015	FW 5/16 ID X 3/4 OD SS	12
22	H-71063	LW 1/4" SS	2
23	H-71065	LW 5/16" SS	13
24	H-72536	PPH #10-32 X 1" S/S	4
25	H-73754	BHSCS 1/4 - 20 X 3/4" SS	6
26	H-81983	5/16" X 1/4" KURL SET SCREW	3

# 62 Disk Side Doors



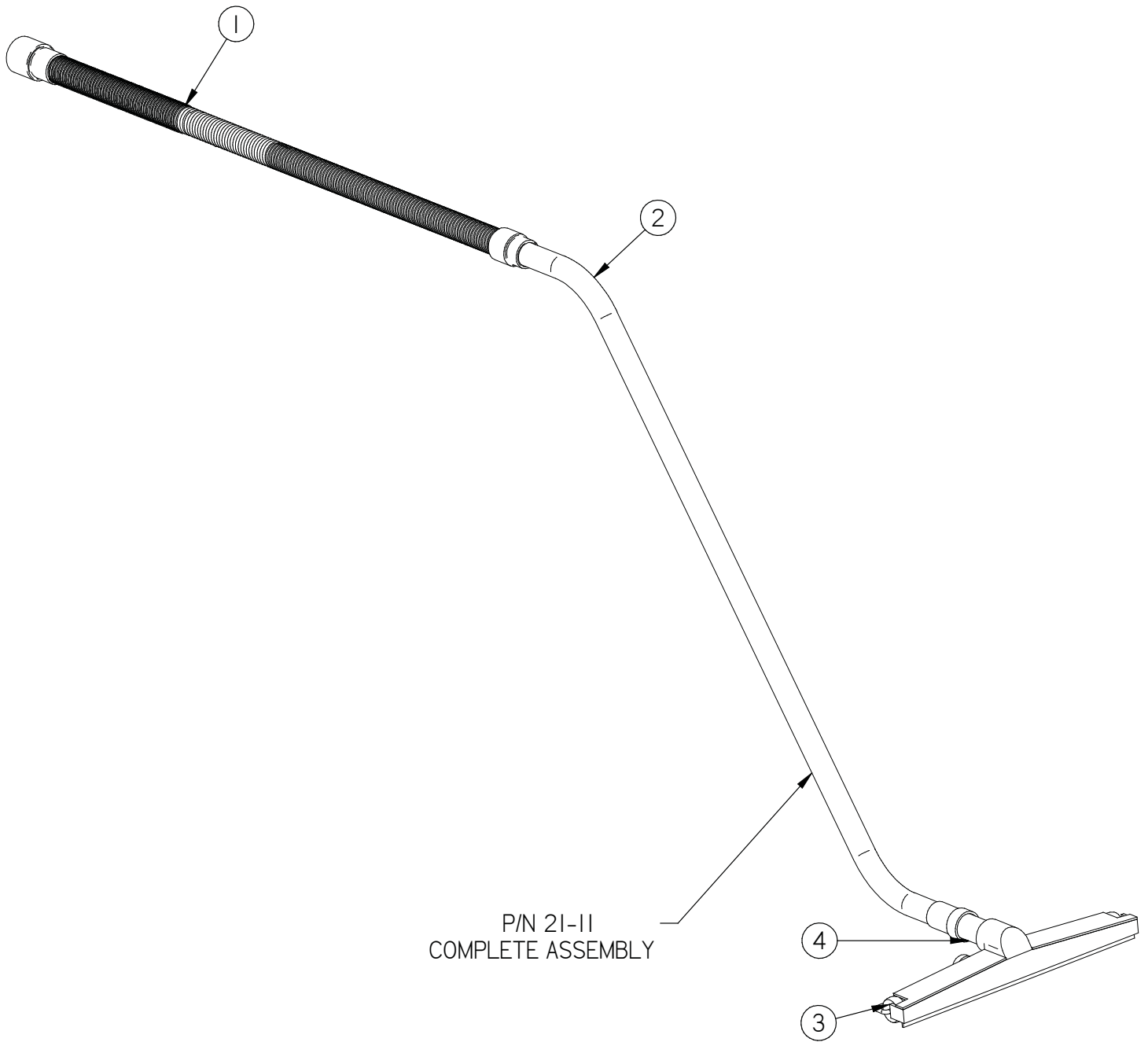
30" DISK LEFT HAND DOOR  
USE PART # 250-9590  
30" DISK RIGHT HAND DOOR  
USE PART # 250-9591  
34" DISK LEFT HAND DOOR  
USE PART # 250-9592  
34" DISK RIGHT HAND DOOR  
USE PART # 250-9593

Item	Part No.	Part Description	Qty.
1	190-3030	4.0" WHEEL (GRAY)	1
2	21-1126	ROLLER BRACKET	1
3	21-1127	ROLLER	1
4	5-122	8" SS HINGE	1
5	5-130	DOOR LATCH	1
6	H-11319	HB 5/8"- 11 X 4"	1
7	H-37038	JNYL 5/8"- 11	1
8	H-70860	NYLOK 1/4"- 20 SS	8
9	H-70862	NYLOK 3/8"-16 SS	1
10	H-73819	BHSCS 3/8"- 16 X 2-1/4" S/S	1
11	H-74419	CB 1/4"- 20 X .75" SS	8



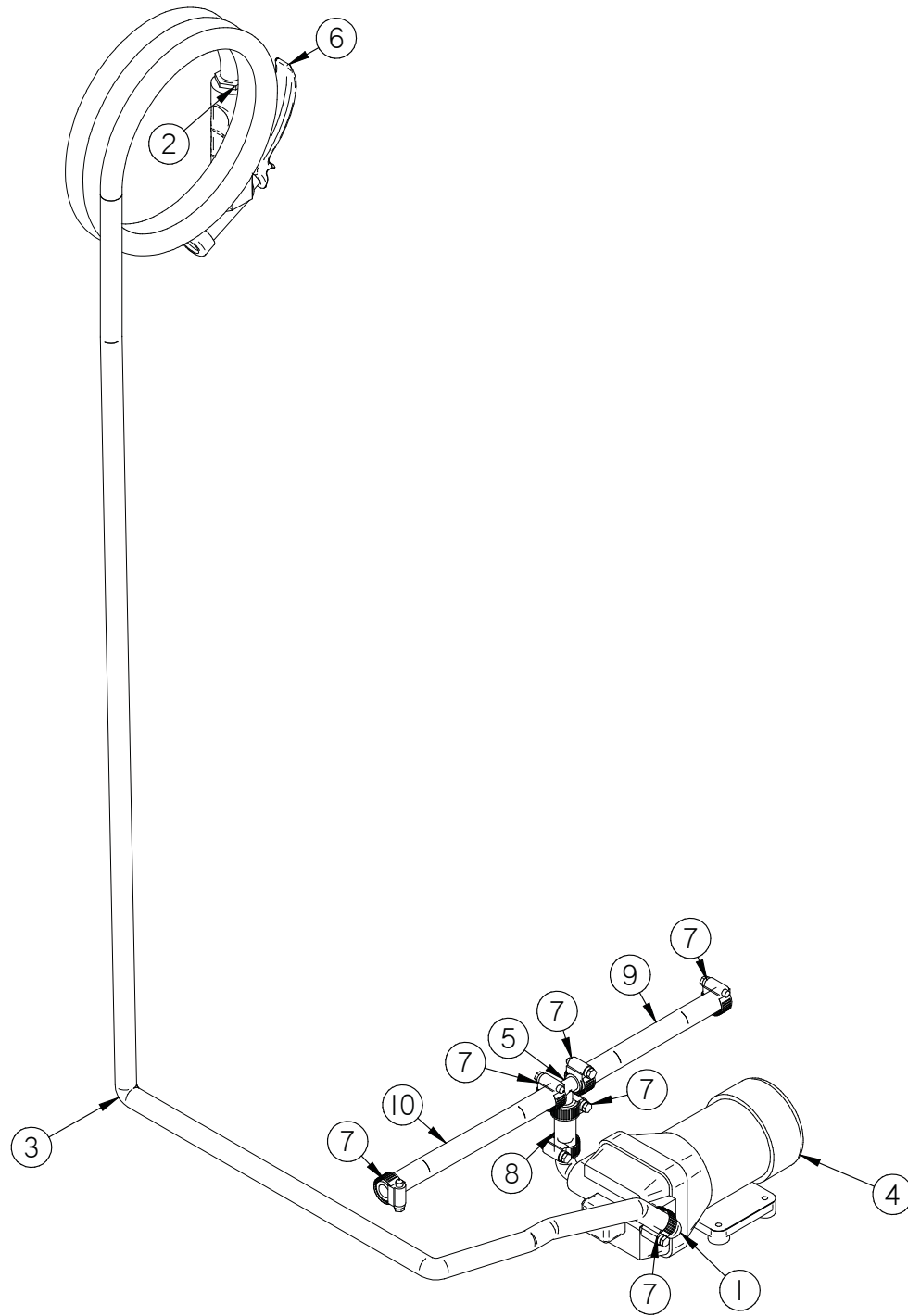
27" CYLINDRICAL RIGHT HAND DOOR  
 USE PART # 250-9594  
 27" CYLINDRICAL LEFT HAND DOOR  
 USE PART # 250-9595  
 30" CYLINDRICAL RIGHT HAND DOOR  
 USE PART # 250-9596  
 30" CYLINDRICAL LEFT HAND DOOR  
 USE PART # 250-9597  
 34" CYLINDRICAL RIGHT HAND DOOR  
 USE PART # 250-9598  
 34" CYLINDRICAL LEFT HAND DOOR  
 USE PART # 250-9599

Item	Part No.	Part Description	Qty.
1	21-1127	ROLLER	4
2	5-122	8" SS HINGE	1
3	5-130	DOOR LATCH	1
4	H-13337	HB 5/8"- 11 X 13"	1
5	H-37038	JNYL 5/8"- 11	1
6	H-70001	HCS 1/4"-20 X 1/2 SS"	4
7	H-NJ04C	JNYL 1/4" - 20 SS	4



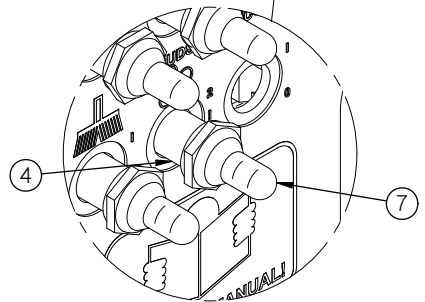
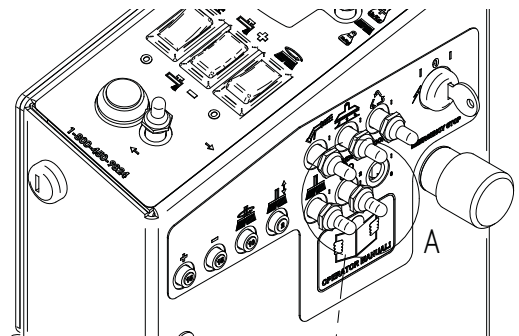
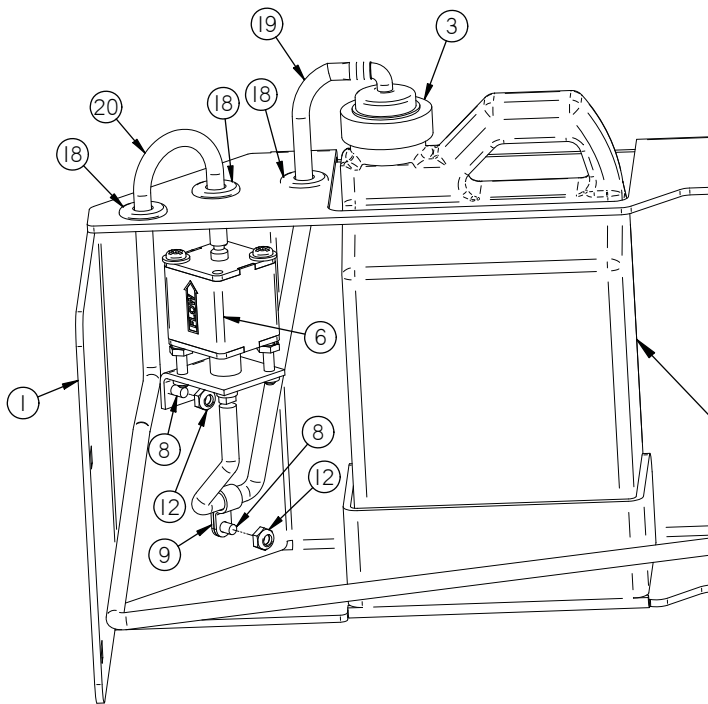
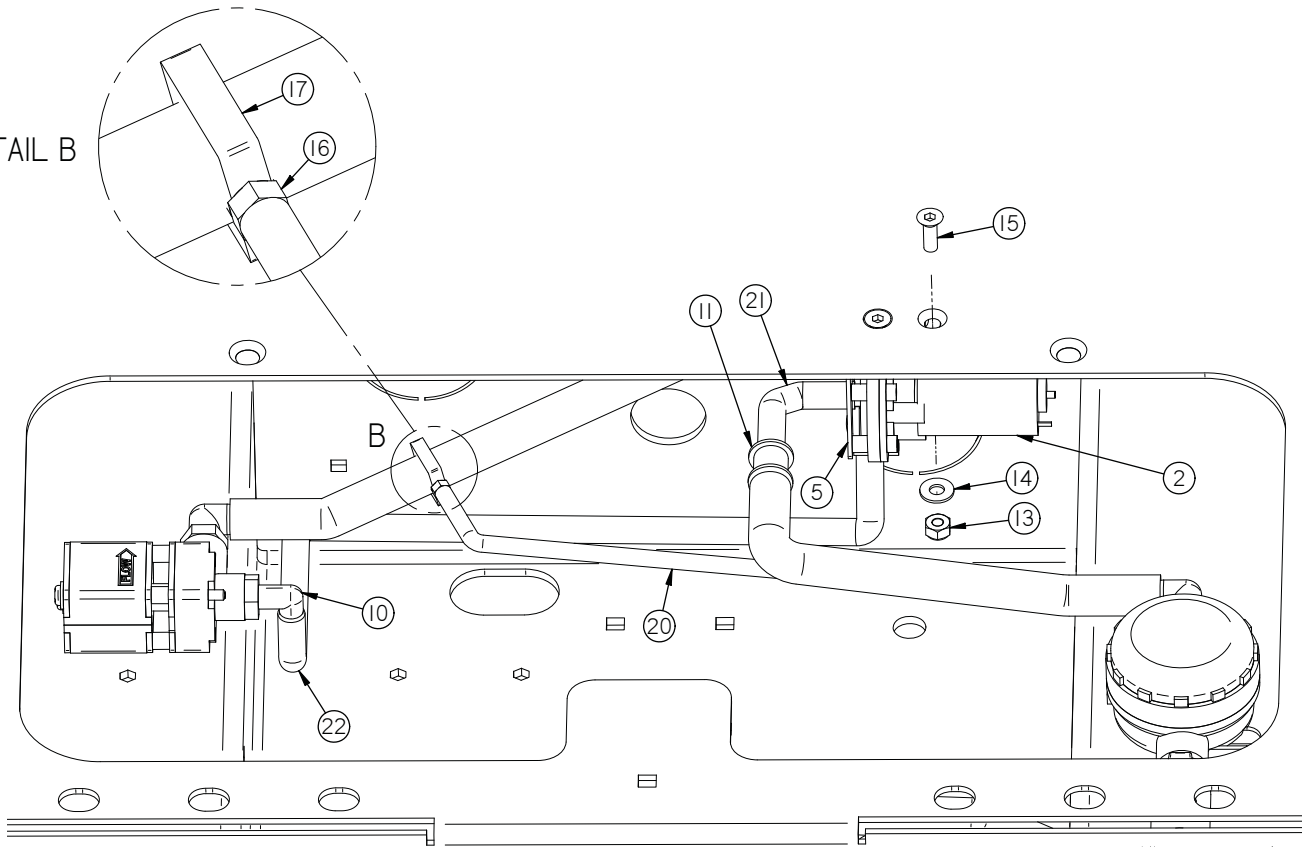
Item	Part No.	Part Description	Qty.
1	5-883	SQUEEGEE HOSE	1
2	5-887	VAC WAND	1
3	5-889	VACUUM NOZZLE	1
4	7-884	COUPLER, S/S	1





Item	Part No.	Part Description	Qty.
1	21-1601	1/2" BARBED ELBOW (PLASTIC)	2
2	21-1608	1/2 BARB X 3/4 GHT MALE	1
3	290-8960	SPRAY JET HOSE	1
4	430-8910	PUMP, WATER JET, 36V	1
5	5-446	1/2 " PLASTIC BARB TEE	1
6	5-895	SPRAY NOZZLE	1
7	H-081	CLAMP 7/16"- 25/32" SS	7
8	T-050R0300	1/2" ID X 3" LG TUBING	1
9	T-050R0700	1/2" ID X 7" LG TUBING	1
10	T-050R0900	1/2" ID X 9" LG TUBING	1

DETAIL B



DETAIL A

**SOAP OPTIONS:**  
**PC707 - CITRUS GREEN**  
**PC733 - LOW pH**  
**PC755 - HIGH POWER**  
**PC757 - GLOSS**  
**PC797 - HD**

Item	Part Number	Part Description	Qty
1	250-1107	GTX REAR SUDS BUMPER	1
2	250-8500	PUMP, 36V DC, 3/8" INLET	1
3	253-0115	SOAPJUG CAP	1
4	253-283	SWITCH, TOGGLE, ON/OFF/ON (DPDT)	1
5	290-1130	PUMP BRACKET	1
6	395-8500	SOAP PUMP, 36V	1
7	H-01198	PROTECTIVE BOOT, TOGGLE SWITCH, (GREEN)	1
8	H-0172518	CB #10-32 X 1/2" SS	3
9	H-02239	3/8" NYLON LOOP CLAMP	1
10	H-04762	ELBOW, 90 DEG X 3/8" MNPT X 3/8" BARB, NYLON	1
11	H-05076	1/2" to 3/8" COUPLING	1
12	H-70858	NYLOK #10-32 SS	3
13	H-70860	NYLOK 1/4"- 20 SS	2
14	H-71013	FW 1/4" X 5/8" SS	2
15	H-73882	FHSCS 1/4- 20 X 3/4" S/S	2
16	M-2974K369	NYLON BARBED TUBE FITTING, 3/16 ID X 1/16" NPT	1
17	M-5116K46	1/2" X 1/2" BARB	1
18	M-9307K23	GROMMET, RUBBER 3/8 ID X 7/8 OD X 1/8 TH.	4
19	T-018CR2000	3/16" ID X 20" LG. C.R. TUBE	1
20	T-018CR3800	3/16" ID X 38" LG. C.R. TUBE	1
21	T-038RI000	3/8" ID X 10" LG. R. TUBE	1
22	T-038R2800	3/8" ID X 28" LG. R. TUBE	1

## ROUND DISK BRUSHES:

BRUSHES	MODEL 26" DISK	MODEL 30" DISK	MODEL 34" DISK
Super Grit	13-421SS	15-421SS	17-421SS
Tough Grit	13-421S	15-421S	17-421S
Midi Grit	13-421C	15-421C	17-421C
Light Grit	13-421PS	15-421PS	17-421PS
Poly (.028)	13-421P	15-421P	17-421P
Nylon (.016)	13-421N	15-421N	17-421N
Tampico	13-421T	15-421T	17-421T
Pad Driver	13-421D	15-421D	17-421D
Diamond Driver	13-421DD	15-421DD	17-421DD
Pad Driver Pad Retainer #40-433			
Pad Driver Spring Clip #40-423			

## ROUND DISK PADS:

### NOTICE

The ## in Disk Column Denotes Desk Pad Size: 13", 15" or 17"

DISK PADS	DISK	LEVEL	COLOR
Super Black	##-422BB	Very High	Black
Black	##-422B	High	Black
Brown	##-422BR	High	Brown
Green	##-422G	Medium	Green
Blue	##-422BL	Moderate	Blue
Red	##-422R	Moderate	Red
White	##-422W	Light	White

## EDGE PADS AND SCREENS:

DESCRIPTION	28"×14" SCRUBDECK	32"×14" SCRUBDECK
White Pad	EDGE-4054	EDGE-5005
Red Pad	EDGE-4053	EDGE-5004
Blue Pad	EDGE-4052	EDGE-5009
Green Pad	EDGE-4051	EDGE-5002
Black Pad	EDGE-4050	EDGE-5001
White Driver Pad	EDGE-4058	N / A
60 Grit Sand Screen	EDGE-4059	N / A
80 Grit Sand Screen	EDGE-4060	N / A
100 Grit Sand Screen	EDGE-4061	EDGE-5028
120 Grit Sand Screen	EDGE-4062	EDGE-5029
150 Grit Sand Screen	EDGE-4063	N / A
Tile/Grout Renovator Pad	EDGE-4048	N / A
Dominator HD Strip Pad	EDGE-4055	N / A

Maroon ECO Prep Pad	EDGE-4056	EDGE-5007
Remover Burnishing Pad	EDGE-4057	EDGE-5008
Porko Burnishing Pad	EDGE-4047	N / A
Velcro Pad	300-4024	N / A

**NEW STYLE CYLINDRICAL BRUSHES:**

For Machine Serial #50000 & Greater

BRUSHES	MODEL 24" CYLINDRI- CAL	MODEL 27" CYLINDRICAL	MODEL 30" CYLINDRICAL	MODEL 34" CYLINDRICAL
Super Grit	N / A	N / A	N / A	N / A
Tough Grit	225-821S	255-821S	285-821S	325-821S
Midi Grit	225-821C	255-821C	285-821C	325-821C
Light Grit	225-821PS	255-821PS	285-821PS	325-821PS
Poly (.028)	N / A	N / A	N / A	N / A
Nylon (.016)	225-821N	255-821N	285-821N	325-821N

**OLD STYLE CYLINDRICAL BRUSHES:**

For Machines Prior To Serial #50000

BRUSHES	MODEL 24" CYLINDRI- CAL	MODEL 27" CYLINDRICAL	MODEL 30" CYLINDRICAL	MODEL 34" CYLINDRICAL
Super Grit	N / A	N / A	N / A	N / A
Tough Grit	22-521S	25-521S	28-521S	32-521S
Midi Grit	22-521C	25-521C	28-521C	32-521C
Light Grit	22-521PS	25-521PS	28-521PS	32-521PS
Poly (.028)	N / A	N / A	N / A	N / A
Nylon (.016)	22-521N	25-521N	28-521N	32-521N

**EDGE/ORBITZ GRIP FACE:**

DESCRIPTION	PART#
28" Velcro Grip Face	300-1039
28" Mighty Lok Grip Face	300-01037Z
32" Mighty Lok Grip Face	300-01037Z

**SQUEEGEE BLADE KITS & COMPLETE SQUEEGEE ASSEMBLIES:**

SQUEEGEE SIZE	24" CYL DECKS	26" DISK DECKS	27" CYL DECKS	30" DISK DECKS	30" CYL DECKS	34" DISK & CYL DECKS
32" Squeegee	Standard	Standard	Optional	Optional	Optional	N / A
35" Squeegee	Optional	Optional	Standard	Standard	Optional	N / A
38" Squeegee	Optional	Optional	Optional	Optional	Standard	Standard
45" Squeegee	N / A	N / A	N / A	N / A	N / A	Optional

SQUEEGEE SIZE	GUM RUBBER BLADE KIT	LINATEX BLADE KIT	URETHANE BLADE KIT	COMPLETE SQUEEGEE ASSEMBLIES
32" Squeegee	22-770G	22-770L	22-770U	23-7180
35" Squeegee	25-770G	25-770L	25-770U	25-7180

38" Squeegee	28-770G	28-770L	28-770U	28-7180
45" Squeegee	290-770G	290-770L	290-770U	290-7180

## NOTICE

Squeegee blade kits include (1) Rear Blade, (1) Front Blade, and (2) Backup Wheels with hardware.

## NOTICE

Squeegee Assemblies (complete) listed above all come with Linatex blades.

## NOTICE

Size is stamped into the top of the painted steel squeegee body on all squeegee's.

## NOTICE

The 32" squeegee is designed for narrow aisles and may not have the same water control around tight turns as the large squeegees.

## GTX Suggested Parts Inventory

Quantity	Part #	Description
1	22-770G	Squeegee Rebuild Kit 32" Gum
1	22-770L	Squeegee Rebuild Kit 32" Linatex
1	25-770G	Squeegee Rebuild Kit 35" Gum
1	25-770L	Squeegee Rebuild Kit 35" Linatex
1	28-770G	Squeegee Rebuild Kit 38" Gum
1	28-770L	Squeegee Rebuild Kit 38" Linatex
2	5-760	Squeegee Side Roller Wheels
2	H-05395	Side Roller Wheel Bolt
1	21-4500	Solution Solenoid
1	250-5250	Vacuum Motor
1	190-3002	Vacuum Motor Gasket
1	8-231	Main Power Switch
1	190-1410	Recovery Lid Assembly
1	250-4050	Tank Lid Gasket
1	7-229D	Push-button Switch
1	370-2830	DPDT Toggle Switch
1	290-2891	LCD
2	290-2815	Circuit Breaker
2	21-5000	Brush Driver
1	21-4085	Vac Screen
1	21-4028	Snap grip Clamp 2-1/8" - 2-3/8", Nylon
1	190-1450	Vacuum Saver
1	390-1505	Loader Valve
2	250-0111	Squeegee Hose
2	290-7210	Drain Hose
2	290-6180	Rear Tires
1	420-1502	Control Panel Sticker
1	390-2015	Control Panel Top Sticker
2	349-7315	Front Tire
1	5-913	Solution Filter
1	21-4510	Solution Knob
1	8-290	Foot Pedal
2	4-124	Tank Lid Latch
2	290-5786	Squeegee Knobs
1	H-01196	Switch Cover - Red
1	H-01200	Switch Cover - Black
1	5-293	Hella Relay
1	5-223	Vac Switch
1	253-3444	Charger Cord

**BLANK**  
THIS PAGE WAS INTENTIONALLY LEFT BLANK



**BLANK**  
THIS PAGE WAS INTENTIONALLY LEFT BLANK



1711 South Street  
Racine, WI 53404  
[www.rpscorporation.com](http://www.rpscorporation.com)  
Tel. US: 800-634-4060  
Tel. Int: (001) 262-681-3583