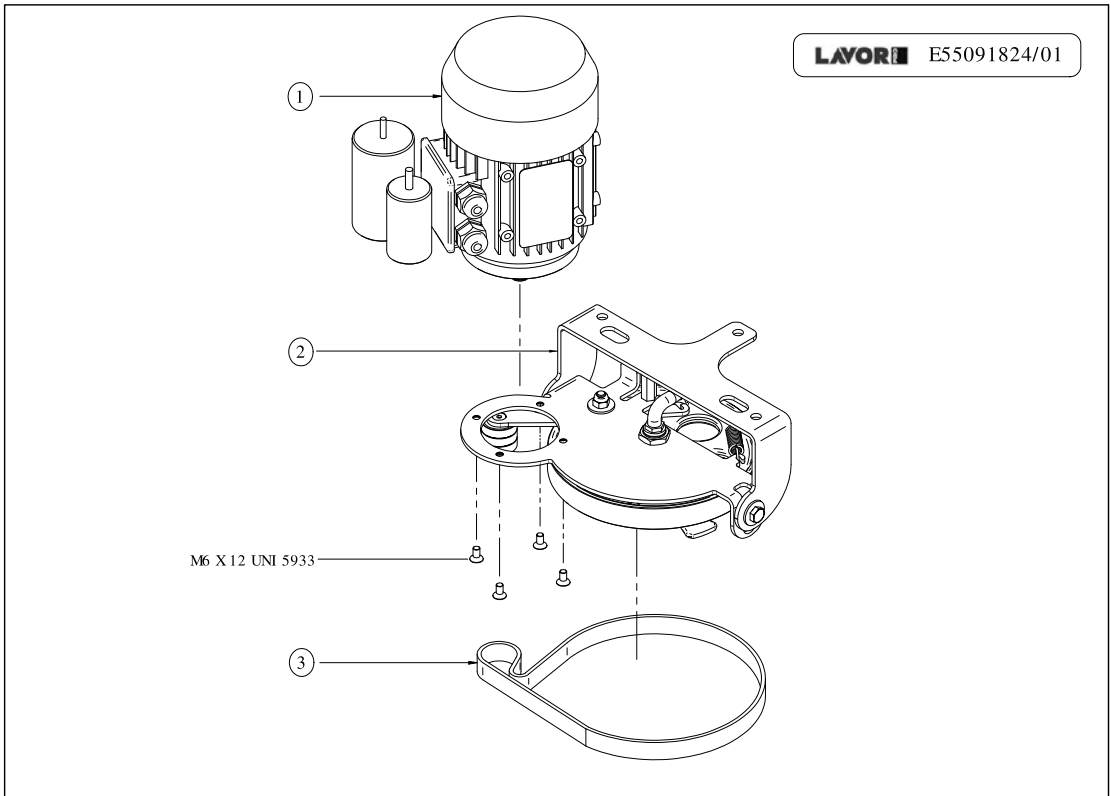


PARTS LIST

Code R55111680-1
 Description DASHBOARD

Start Date 16/7/2010
 End Date 1/1/3000
 Table E55111685-01

Pos.	Code	Price	Q.ty per pck.	Qty.	Description	Alternative	Price	G	P
001	5.513.0270	23	1	1	SQUEEGEE LEVER		0	0	0
002	4.507.1333	34	1	1	RELE' SUPPORT		0	0	0
003	3.410.0021	6.52	4	1	RELAY SUPPORT FOR HC2SFDI		0	0	0
004	3.405.0097	2.4	10	1	TERMINAL BOARD SUPPORT		0	0	0
005	3.405.0096	3.06	8	2	3 STUD TERMINAL BLOCK		0	0	0
006	3.402.0016	21.42	1	1	RELAY NAIS HJ2 AC220/240V		0	0	0
007	5.009.0293	10.71	2	3	RED BACKLIGHTED SWITCH WITH PROTECTOR		0	0	0
008	3.099.1513	1.07	25	1	CAP D=9.5-11 SP=0.8-3.2		0	0	0
009	4.505.0248	14	2	1	DASHBOARD		0	0	0

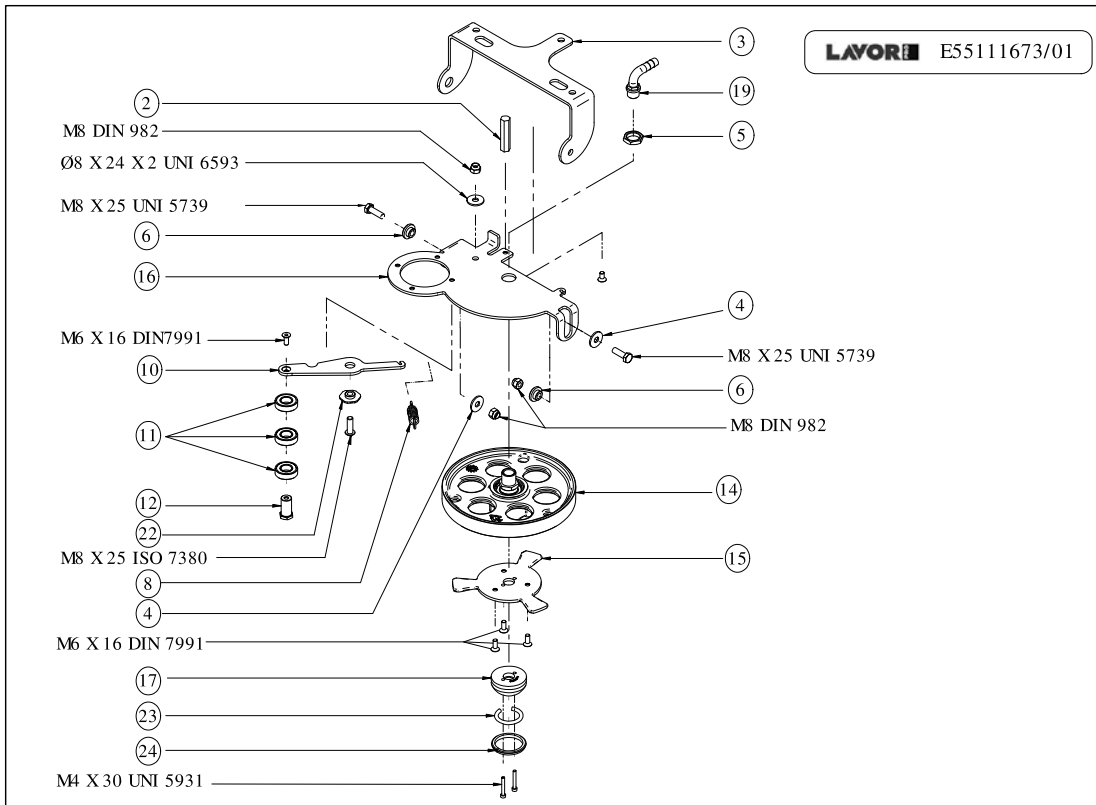


PARTS LIST

Code R55091824-1
Description BRUSH PLATE ASSY

Start Date 16/7/2010
End Date 1/1/3000
Table E55091824-01

Pos.	Code	Price	Q.ty per pck.	Qty.	Description	Alternative	Price	G
001	5.501.0075	332.07	1	1	ELECTRIC MOTOR 220-240V 50-60HZ 0,55KW		0	0
002	5.511.1673	249.34	1	1	BRUSH PLATE COMPONENTS		0	0
003	3.099.1394	33.06	1	1	BRUSH BELD		0	0

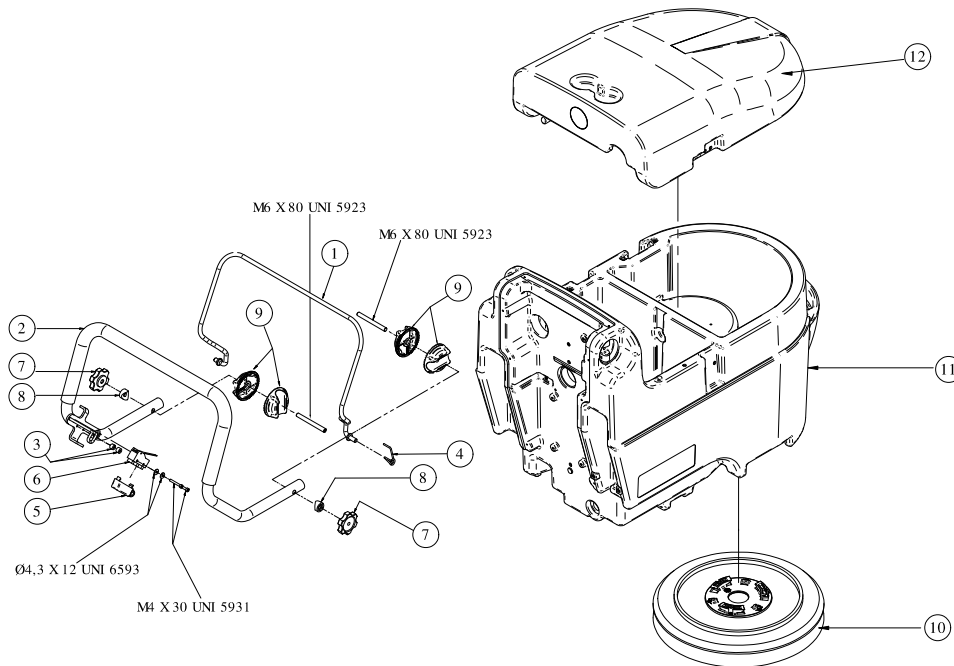


PARTS LIST

Code R55111673-1
 Description BRUSH PLATE COMPONENTS

Start Date 16/7/2010
 End Date 1/1/3000
 Table E55111673-01

Pos.	Code	Price	Q.ty per pck.	Qty.	Description	Alternative	Price	G	P
003	4.507.1379	0	1	1	SUPPORT		0	0	0
005	4.507.1387	0	1	1	KNOB M20X1,5 H=6mm		0	0	0
006	4.506.0252	21.42	1	1	FIXING BUSH		0	0	0
008	4.507.1272	21.42	1	1	SPRING		0	0	0
010	4.507.1124	45.81	1	1	BELD LEVER		0	0	0
011	3.001.0032	21.42	1	3	BEARING 6002 2RS1		0	0	0
012	4.507.1127	11.56	3	1	BEARING SHAFT		0	0	0
014	5.511.1691	98.88	1	1	PULLEY ASSEMBLY		0	0	0
015	4.507.1370	25.17	1	1	BRUSH CONNECTION		0	0	0
016	4.507.1125	82.75	1	1	SWINGING SUPPORT		0	0	0
017	4.508.1449	0	3	1	BRUSH BALANCING		0	0	0
019	3.100.0386	0	1	1	HOSE JOINT 3/8M FOR HOSE D.12		0	0	0
022	4.506.0256	2.76	9	1	BELD LEVER BUSH		0	0	0
023	3.200.0127	10.71	2	1	O-RING D=5.34 L=106		0	0	0
024	4.508.0314	7.23	3	1	OPENED RING		0	0	0



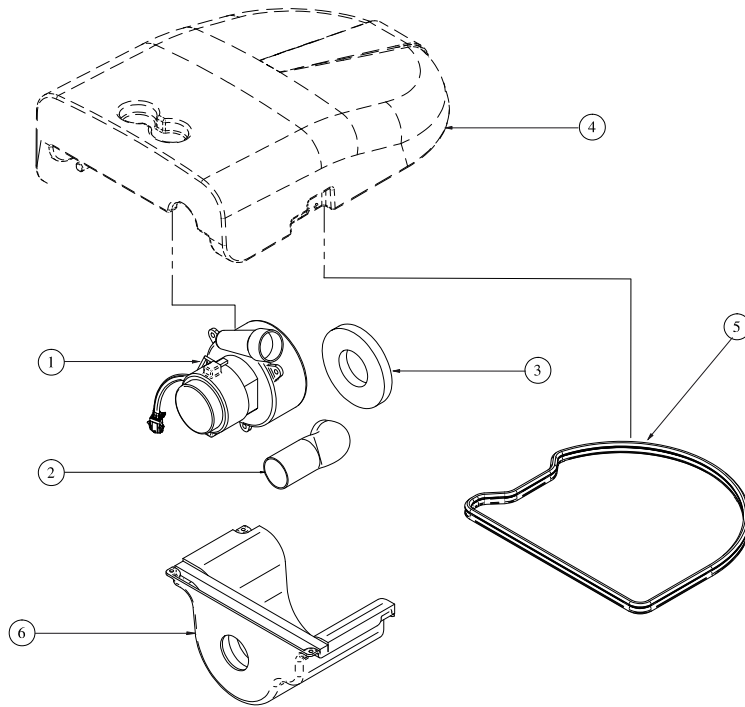
LAVORWASH
SERVICE

PARTS LIST

Code R55091833-1
Description TANK WITH HANDLE

Start Date 16/7/2010
End Date 1/1/3000
Table E55091833-01

Pos.	Code	Price	Q.ty per pck.	Qty.	Description	Alternative	Price	G	P
001	5.513.0262	0	1	1	CONTROL LEVER		0	0	0
002	5.513.0261	0	1	1	HANDLE		0	0	0
003	4.508.1461	1.07	25	2	SPACER		0	0	0
004	4.507.1338	13.39	2	1	SPRING		0	0	0
005	3.401.0176	3.84	7	1	CONNECTION PROTECTION		0	0	0
006	3.401.0199	30.21	1	1	MICROSWITCH		0	0	0
007	3.099.1566	5.15	4	2	KNOB		0	0	0
008	3.099.1534	4.12	5	2	SPACER FOR KNOB D.22		0	0	0
009	3.099.1533	3.21	7	4	HANDLE REGULATOR D.22		0	0	0
010	5.511.1688	69.63	1	1	BRUSH		0	0	0
011	4.508.1084	0	1	1	YELLOW TANK		0	0	0
012	4.508.1073	202.46	1	1	VACUUM CAP		0	0	0



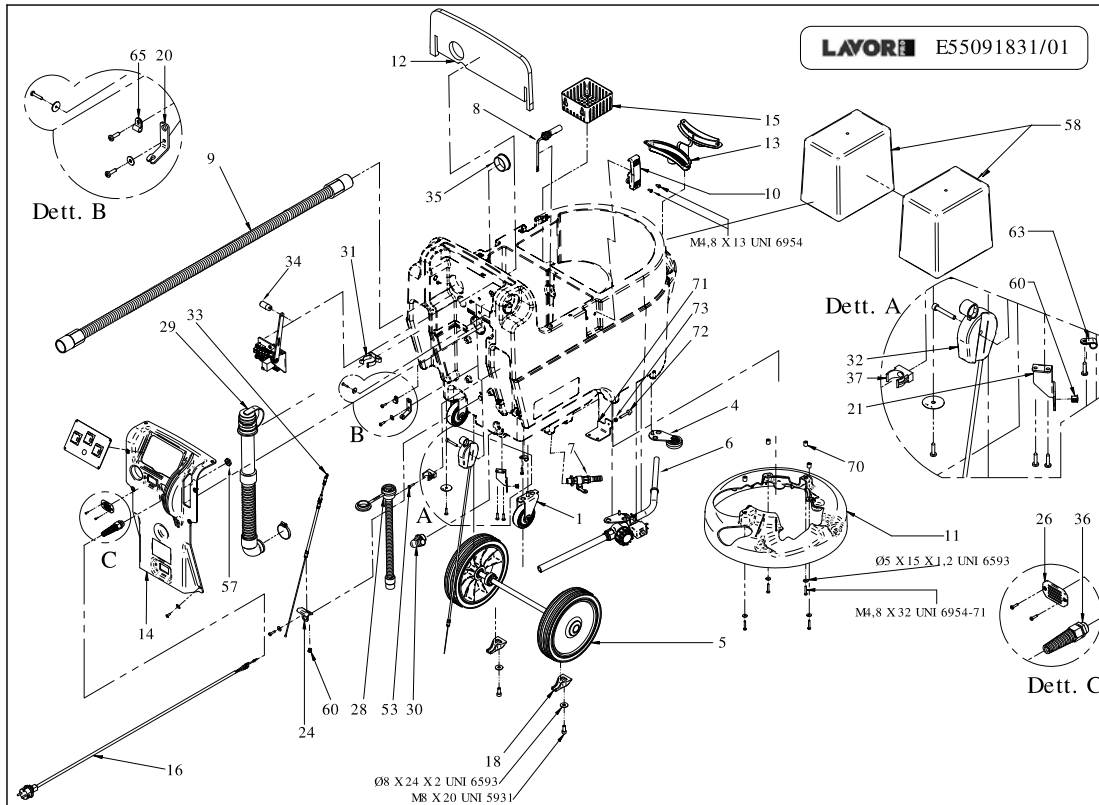
LAVORWASH
SERVICE

PARTS LIST

Code R55091826-1
Description HOOD PARTS

Start Date 16/7/2010
End Date 1/1/3000
Table E55091826-01

Pos.	Code	Price	Q.ty per pck.	Qty.	Description	Alternative	Price	G
001	3.755.0096	80.34	1	1	VACUUM MOTOR 230V		0	0
002	4.508.1462	10.71	2	1	WASTE HOSE		0	0
003	4.508.0163	7.93	3	1	GASKET FOR SUCTION MOTOR		0	0
004	4.508.1073	202.46	1	1	VACUUM CAP		0	0
005	4.508.1088	28.39	1	1	GASKET FOR VACUUM CAP		0	0
006	5.511.1682	0	1	1	COMMON PARTS COVER GROUP FOR ALCOR-SPEED-NEXT-MIZAR		0	0



LAVORWASH
SERVICE

PARTS LIST

Code R55091831-1
Description TANK

Start Date 16/7/2010
End Date 1/1/3000
Table E55091831-01

Pos.	Code	Price	Q.ty per pck.	Qty.	Description	Alternative	Price	G	P
001	5.511.1689	48.2	1	2	WHEEL ASSEMBLY		0	0	0
004	5.511.1678	58.2	1	1	WHEEL		0	0	0
005	5.511.1677	138.18	1	1	AXLE WITH WHEELS		0	0	0
006	5.511.1676	119.48	1	1	SOLENOID VALVE WITH FILTER 230V		0	0	0
007	5.511.1674	65.98	1	1	TAP SET		0	0	0
008	3.403.0197	43.68	1	1	INDICATORE DI LIVELLO 230V - SERBAT. RECUPERO	3.403.0043	24.34	1	0
009	5.511.0535	24.33	1	1	SUCTION HOSE ASSEMBLY		0	0	0
010	5.209.0089	10.71	2	2	COMPLETE LOCKER FOR PROFESSIONAL VACUUM CLEANER		0	0	0
011	4.513.0383	25.75	1	1	BRUSH COVER		0	0	0
012	4.508.1469	9.5	3	1	SOUNDPROOFING MATERIAL		0	0	0
013	4.508.1457	6.43	4	1	CAP WITH FILTER		0	0	0
014	4.508.1078	95.17	1	1	REAR COVER		0	0	0
015	4.508.1076	10.3	2	1	SMALL BASKET		0	0	0
016	3.499.0394	25.19	1	1	MAIN POWER CORDS		0	0	0
018	4.508.0689	21.42	1	2	FIXING WHEEL AXLE - SWIFT B		0	0	0
020	4.507.1349	0	1	1	BRACKET		0	0	0
021	4.507.1360	0	1	1	BRACKET		0	0	0
024	4.507.1336	0	1	1	BRACKET FOR SQUEEGEE CABLE		0	0	0
026	4.505.0237	21.42	1	2	CAP		0	0	0
028	3.752.0227	46.81	1	1	UNLOADER HOSE FOR SOLUTION TANK		0	0	0

PARTS LIST

Code R55091831-1

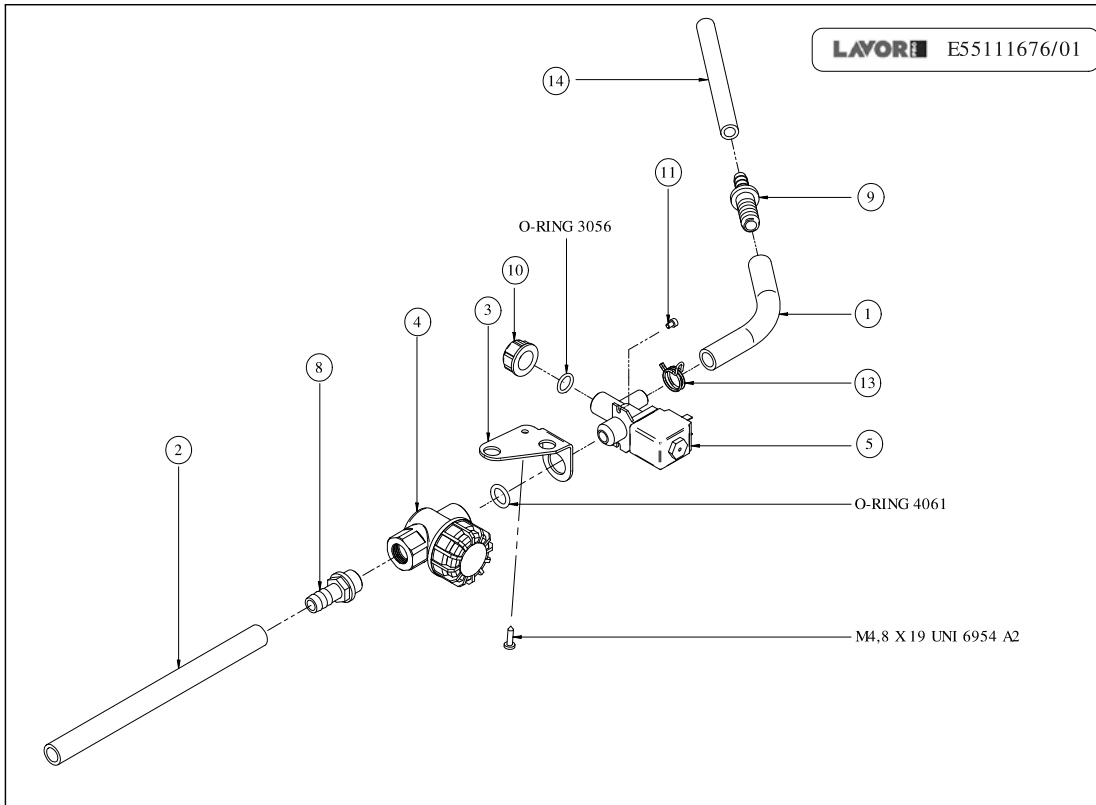
Start Date 16/7/2010

Description TANK

End Date 1/1/3000

Table E55091831-01

Pos.	Code	Price	Q.ty per pck.	Qty.	Description	Alternative	Price	Q
029	3.752.0229	47.99	1	1	UNLOADER HOSE FOR RECOVERY TANK		0	0
030	3.100.0356	6.49	4	1	JOINT 3/4 D.22		0	0
031	3.099.1553	0	1	1	HOSE HOLDER		0	0
032	3.099.1543	38.56	1	1	SOLUTION TAP LEVER		0	0
033	3.099.1537	32.14	1	1	SQUEEGEE CABLE		0	0
034	3.099.1536	0	5	1	HANDLE FOR SQUEEGEE LEVER		0	0
035	3.099.1535	0	5	1	CAP D=51,5		0	0
036	3.406.0040	3	10	1	CABLE TERMINAL PG.11		0	0
037	3.099.1409	1.1	20	1	CLIPS		0	0
057	3.406.0041	1.07	20	1	NUT FOR CABLE HOLDER PG11		0	0
058	3.099.1597	42.85	1	2	BALLAST 25KG.		0	0
060	3.099.1193	21.42	1	2	STOPPER IN BLACK RUBBER		0	0
063	3.099.1581	0	5	1	CLAMP D.9,5		0	0
065	3.099.1587	0	5	1	CLAMP D.6,4		0	0
070	4.506.0269	0	1	4	SPACER	4.508.0316	1.85	2
071	4.507.1403	12.1	2	1	SUPPORT FOR MOTOR		0	0
072	3.099.1628	0	1	1	REGULATION SCREW M6X45		0	0

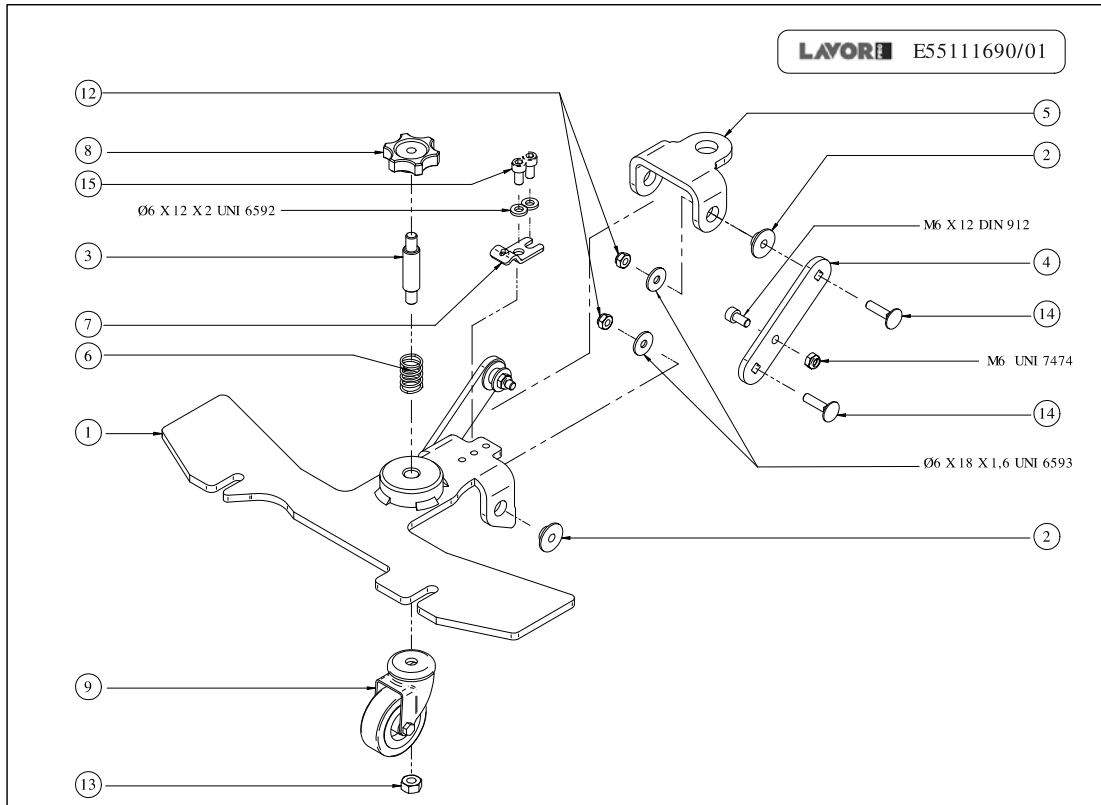


PARTS LIST

Code R55111676-1
 Description SOLENOID VALVE ASSY

Start Date 16/7/2010
 End Date 1/1/3000
 Table E55111676-01

Pos.	Code	Price	Q.ty per pck.	Qty.	Description	Alternative	Price	G	P
001	4.508.1460	0	1	1	HOSE D.14 L=165mm		0	0	
002	4.508.0881	0	1	1	HOSE ARMONVILLE D.i=14 L=260	3.099.0616	2.09	2	
003	4.507.1332	0	1	1	FILTER SUPPORT		0	0	
004	3.749.0299	36.05	1	1	F5 G1/2F/F WATER FILTER		0	0	
005	3.412.0035	115.69	1	1	SOLENOID VALVE 1/2 230V		0	0	
008	3.100.0226	1.82	20	1	G1/2 RUBBERHOLDER COUPLING		0	0	
009	3.100.0387	3.65	6	1	HOSE JOINT D.16-D.12		0	0	
010	3.099.1032	2.44	10	1	CAP 1/2		0	0	
013	3.099.1471	1.07	20	1	CLAMP D. 19,6-20,6		0	0	
014	4.508.1463	0	1	1	HOSE D.10-D.16 L=165mm		0	0	

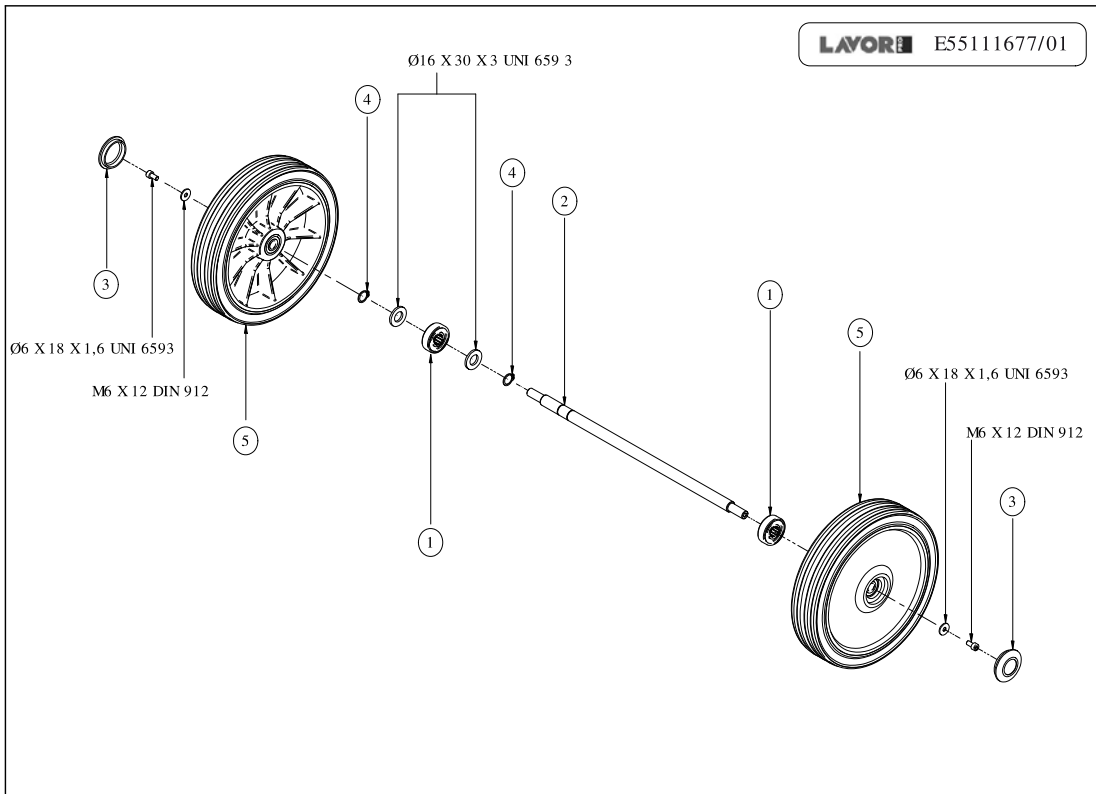


PARTS LIST

Code R55111690-1
Description SQUEEGEE SUPPORT

Start Date 16/7/2010
End Date 1/1/3000
Table E55111690-01

Pos.	Code	Price	Q.ty per pck.	Qty.	Description	Alternative	Price	G	P
001	5.513.0272	76	1	1	SQUEEGEE SUPPORT		0	0	0
002	4.508.1468	5.15	4	4	BUSH		0	0	0
003	4.507.1385	5.15	4	1	ADJUSTING PIN		0	0	0
004	4.507.1384	12.36	2	2	CONNECTION PLATE (SQUEEGEE SUPPORT-SQUEEGEE SUPPORT		0	0	0
005	4.507.1383	30.9	1	1	SQUEEGEE SUPPORT PLATE		0	0	0
006	4.507.1076	21.42	1	1	SPRING		0	0	0
007	4.507.0854	21.42	1	1	BRACKET FOR SQUEEGEE LIFT CABLE		0	0	0
008	3.099.1189	21.42	1	1	KNOB M8 H26		0	0	0
009	3.006.0076	10.71	2	1	SQUEEGEE WHEEL (D.50)		0	0	0
014	3.002.0870	1.07	25	4	SCREW M6X25		0	0	0

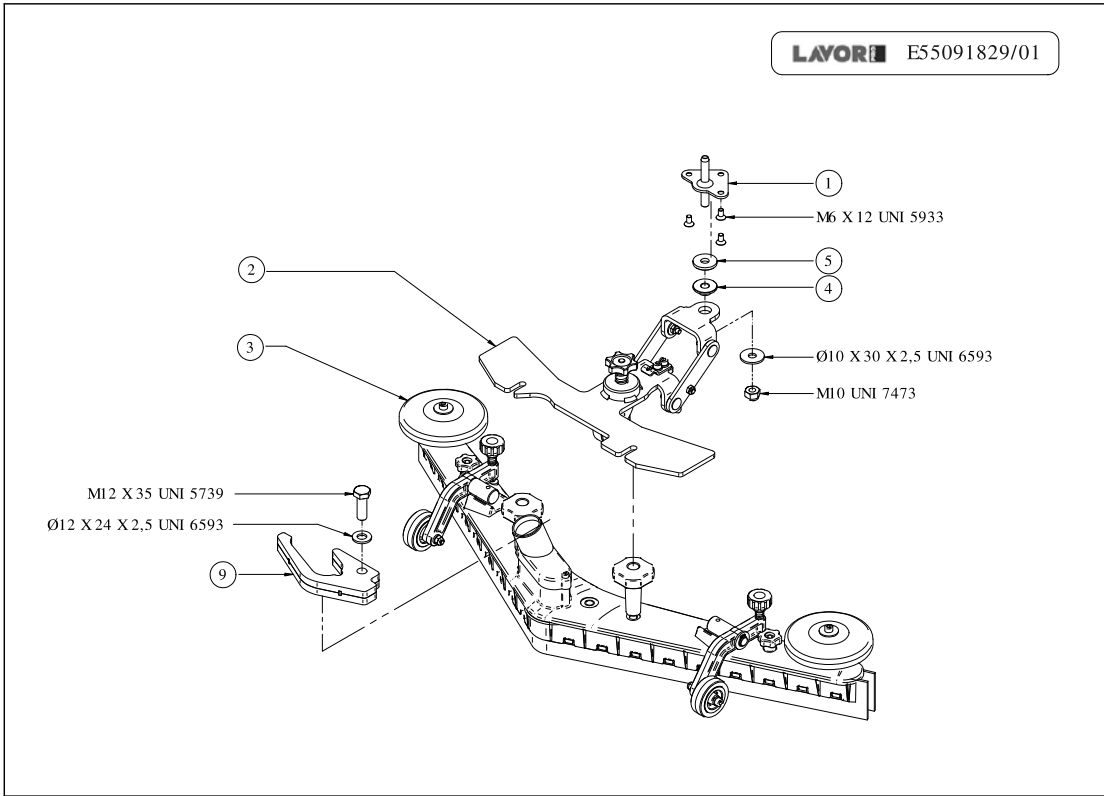


PARTS LIST

Code R55111677-1
Description AXLE

Start Date 16/7/2010
End Date 1/1/3000
Table E55111677-01

Pos.	Code	Price	Q.ty per pck.	Qty.	Description	Alternative	Price	G	P
001	4.508.0687	21.42	1	2	AXLE SUPPORT - SWIFT B		0	0	0
002	4.507.1331	32.5	1	1	AXLE		0	0	0
003	3.099.1066	10.71	2	2	CAP FOR WHEEL - GREY		0	0	0
004	3.099.0872	1.07	20	2	SEEGER RING D.16 UNI 7435		0	0	0
005	3.006.0145	72.84	1	2	WHEEL D.250 L.50		0	0	0

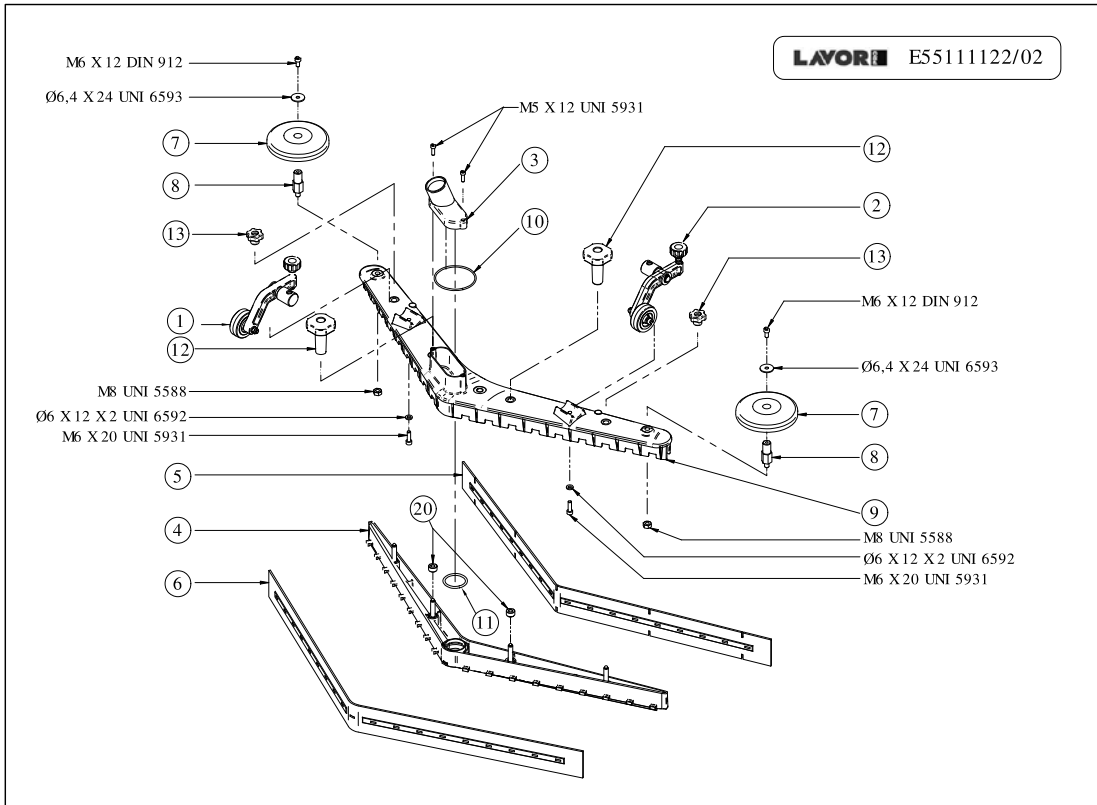


PARTS LIST

Code R55091829-1
Description SQUEEGEE ASSY

Start Date 16/7/2010
End Date 1/1/3000
Table E55091829-01

Pos.	Code	Price	Q.ty per pck.	Qty.	Description	Alternative	Price	G
001	5.513.0271	0	1	1	SMALL PLATE FOR SQUEEGEE		0	0
002	5.511.1690	0	1	1	SQUEEGEE SUPPORT UNIT		0	0
003	5.511.1122	251.83	1	1	SQUEEGEE ASSEMBLY - SW IFT	5.511.1795	154.5	1
004	4.508.1467	0	1	1	BUSHING		0	0
005	4.507.0344	4.11	10	1	WASHER		0	0
009	4.507.1396	0	1	1	BALLAST		0	0



PARTS LIST

Code R55111122-2
 Description SQEGEE

Start Date 16/7/2010
 End Date 1/1/3000
 Table E55111122-02

Pos.	Code	Price	Q.ty per pck.	Qty.	Description	Alternative	Price	Q
001	5.511.1517	26.64	1	1	LH SQUEEGEE WHEEL ASSEMBLY		0	0
002	5.511.1516	26.64	1	1	RH SQUEEGEE WHEEL ASSEMBLY		0	0
003	4.508.0617	21.42	1	1	CAP FOR SQUEEGEE BOX		0	0
004	4.508.0505	29.02	1	1	SQUEEGEE BLADES HOLDER		0	0
005	4.508.0468	13.93	2	1	FRONT SQUEEGEE BLADE L.830 TH.3		0	0
006	4.508.0467	13.93	2	1	REAR SQUEEGEE BLADE L.870 TH.4		0	0
007	4.508.0224	10.71	2	2	BUMPER WHEEL D.110 GREY		0	0
008	4.507.0831	21.42	1	2	BUMPER WHEEL SUPPORT		0	0
009	4.505.0105	65.63	1	1	SQUEEGEE L=780 MM	6.505.0047	128	1
010	3.200.0172	1.07	20	1	O-RING 3275		0	0
011	3.200.0168	1.07	20	1	O-RING 4143		0	0
012	3.099.1265	21.42	1	2	KNOB D.52 M8		0	0
013	3.099.0467	10.71	2	2	KNOB M8		0	0
020	4.508.1406	0	1	2	SPACER D=15 d=M8 H=8,5		0	0