

Integrated Professional Cleaning



IPC Foma



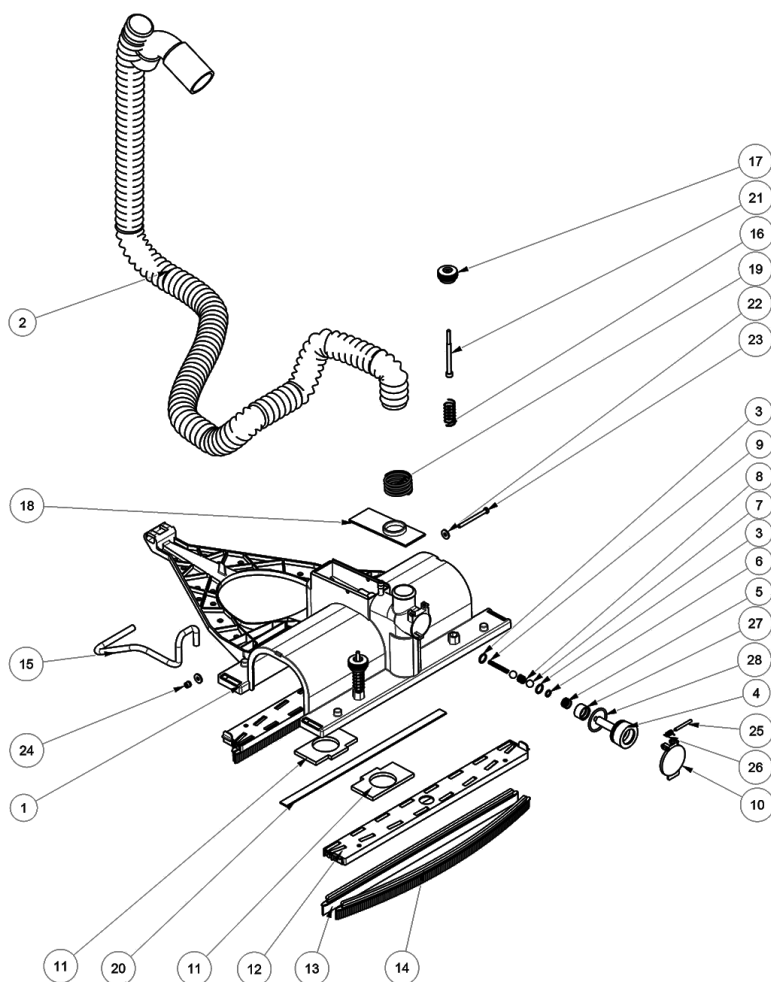
IPC Sverige

Spare Parts List

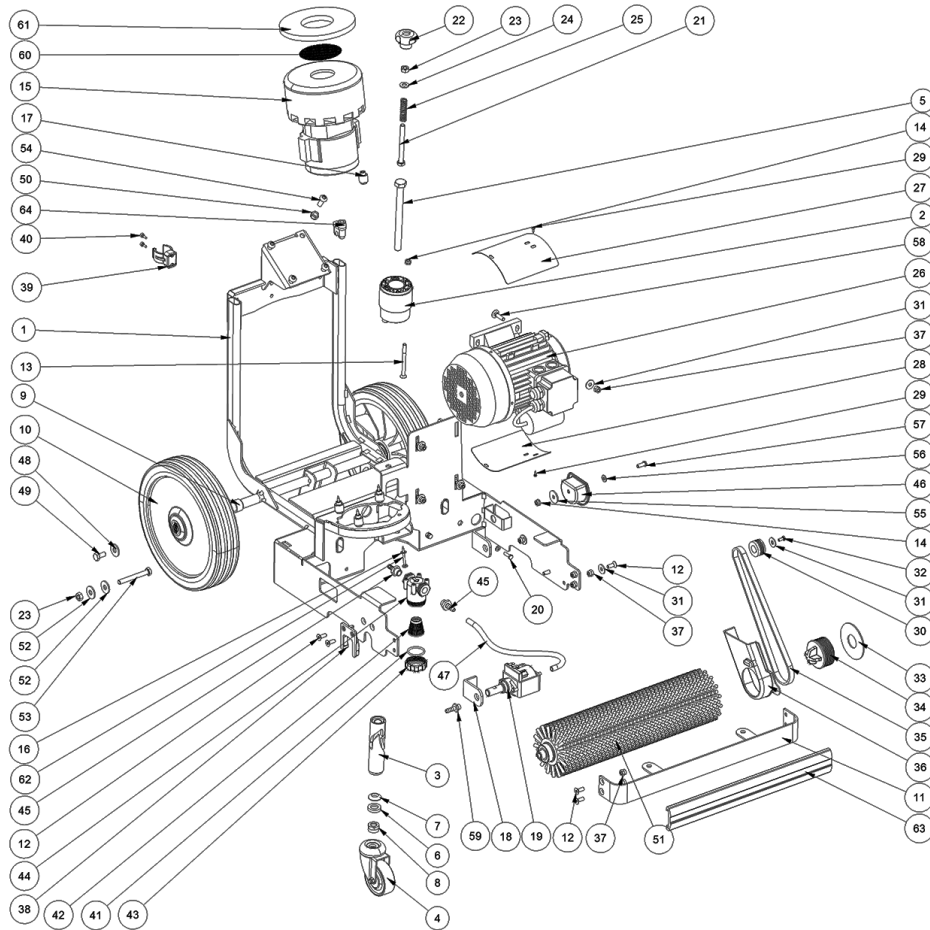
FOMA NORGE AS

Ref: LPTE00630

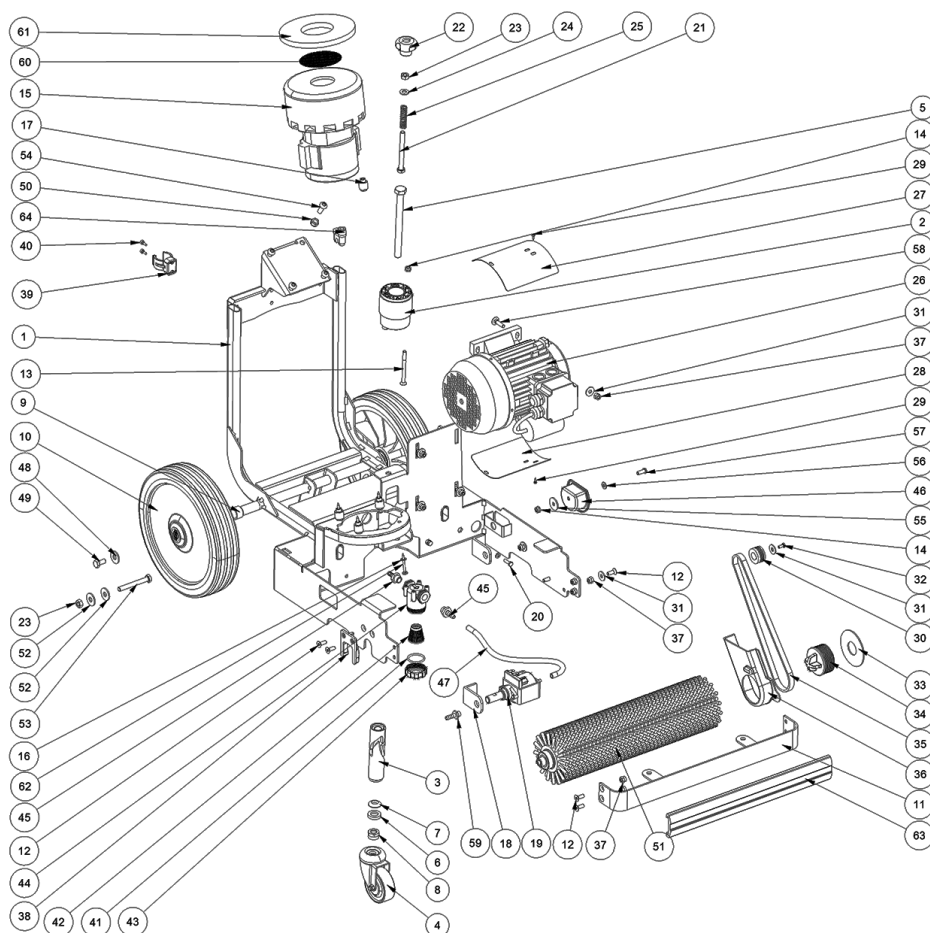
Model: CT15 C35R 230V GR/VE



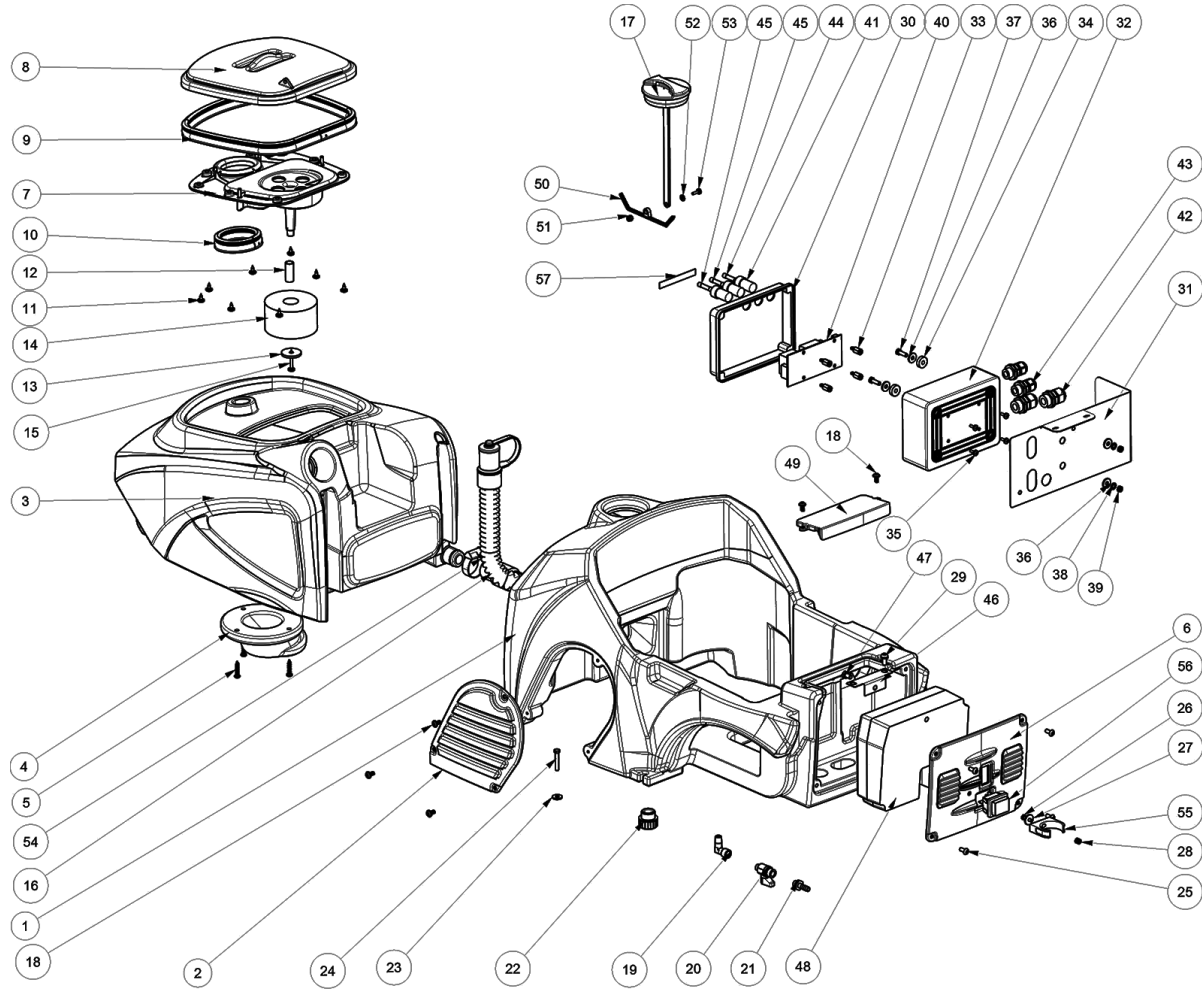
Ref.	K	Part N.	Customer Part N.	Description	Qty	Validity:		Price
						From	To	
0001		MPVR10609		SUPPORT SQUEEGEE	1,00			--
0002		TBFX00376		TUBE -	1,00			--
0003		GUGO00164		GASKET	2,00			--
0004		LAFN05111		PROTECTION ACCESSORIO	1,00			--
0005		RCDS34777		BUSHING D.20 OTT.	1,00			--
0006		GUGO00165		GASKET	1,00			--
0007		SFVR34773		BALL D. 7/16" PPH	2,00			--
0008		MLML00184		SPRING COMPRESSIONE D.10-1	1,00			--
0009		MLML34772		SPRING D. 5 X40	1,00			--
0010		MPVR34711		COVER E 350N	1,00			--
0011		GUGO38416		GASKET E350 II	1,00			--
0012		MPVR10719		SUPPORT BLADE CT15R	1,00			--
0013		MPVR31594		RUBBER H31 E 350N	1,00			--
0014		MPVR10734		FLAP -	1,00			--
0016		MLML00302		SPRING REGISTRAZIONE FLAP	2,00			--
0017		MPVR05627		KNOB -	2,00			--
0018		MPVR02180		CAP	1,00			--
0019		MLML00475		SPRING -	1,00			--
0020		MPVR03455		BRACKET	1,00			--
0021		VTVT01175		SCREW M6x80	2,00			--
0022		VTRS13750		WASHER D. 5X14 INX	2,00			--
0023		VTVT00663		SCREW M5X60	1,00			--
0024		VTDD01693		NUT M 5 INX	1,00			--
0025		VTVR34710		PLUG 4X35	1,00			--
0026		MLML34775		SPRING E350 N	1,00			--
0028		GUGO00488		GASKET -	1,00			--



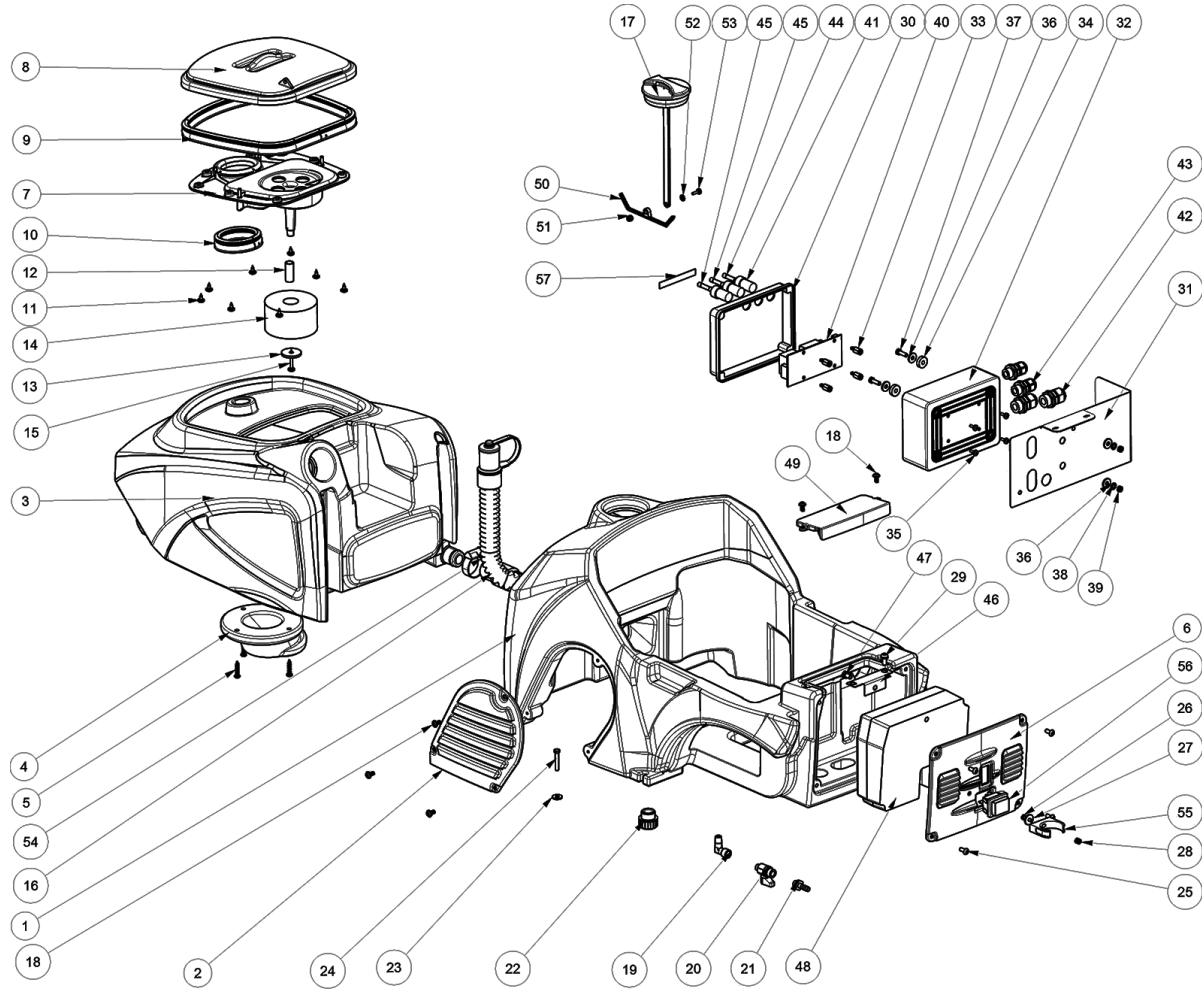
Ref.	K	Part N.	Customer Part N.	Description	Qty	Validity: From	To	Price
0001		LAFN09451		FRAME	1,00			--
0002		MPVR07136		BUSHING	1,00			--
0003		MPVR06519		PIN	1,00			--
0004		RTRT00580		WHEEL	1,00			--
0005		VTVT00868		SCREW TE M12-140	1,00			--
0006		VTRS00576		WASHER D12	1,00			--
0007		VTRS00575		WASHER D12	1,00			--
0008		VTDD00176		NUT M.12 INOX A2 BASSO AUTOB.	1,00			--
0009		LAFN08915		BUSHING	2,00			--
0010		RTRT00537		WHEEL GRAY d.250 CT15-30-45	2,00			--
0011		LAFN09452		BUMPER	1,00			--
0012		VTVT00832		SCREW TSPEI M6X16 INOX	9,00			--
0013		VTVT01160		SCREW M6x65	3,00			--
0014		VTDD01694		NUT M6 INOX	4,00			--
0015		MOMO00243		MOTOR ASPIRATORE	1,00			--
0016		VTRS00516		WASHER D. 5 INX	6,00			--
0017		LAFN00533		PIN LEVA DI RINVIO SPAZZ.CENT	4,00		11/2016	--
0017		LAFN36619		SPACER D. 5-12 L=17 L.8 OT.	4,00	11/2016		--
0018		ABGO00010		SUPPORT ANTIVIBRANTE POMPA L15-20	2,00			--
0019		PPEL00126		PUMP 230V	1,00			--
0020		VTVT07725		SCREW TE 5X16 UNI5739 INX	2,00			--
0021		VTVT00734		SCREW TE M. 8-80	1,00			--
0022		VTVR35378		HANDWHEEL F 8MAX20 D.40	1,00			--
0023		VTDD15521		NUT M 8 INX A2 UNI 5588	2,00			--
0024		VTRS13947		WASHER D. 8 INX UNI 6592	1,00			--
0025		MLML00033		SPRING ALZAFLAP SILVER ZB	1,00			--
0026		MOMO31926		TRACTION MOTOR E 350 N 220V	1,00			--
0027		LAFN11056		CONVEYOR	1,00			--
0028		LAFN11057		CONVEYOR	1,00			--
0029		VTVT00522		SCREW TCB-TC 2.9X 9.5 UNI6954	2,00			--
0030		MTPL31027		PULLEY POLY-V J4	1,00			--
0031		VTRS13945		WASHER D. 6X18 INX UNI 6593	1,00			--
0032		VTVT21096		SCREW TE M 4X 10 INX	1,00			--
0033		LAFN34719		DISC E 350	1,00			--
0034		MPVR04119		PULLEY TRASC.RULLO350	1,00			--
0035		MTCG31927		BELT J4 559	1,00			--
0036		MPVR34721		CRANKCASE E 350N	1,00			--
0037		VTDD15518		NUT M 6 INX	6,00			--
0038		MPVR31929		SUPPORT E 350 N	1,00			--



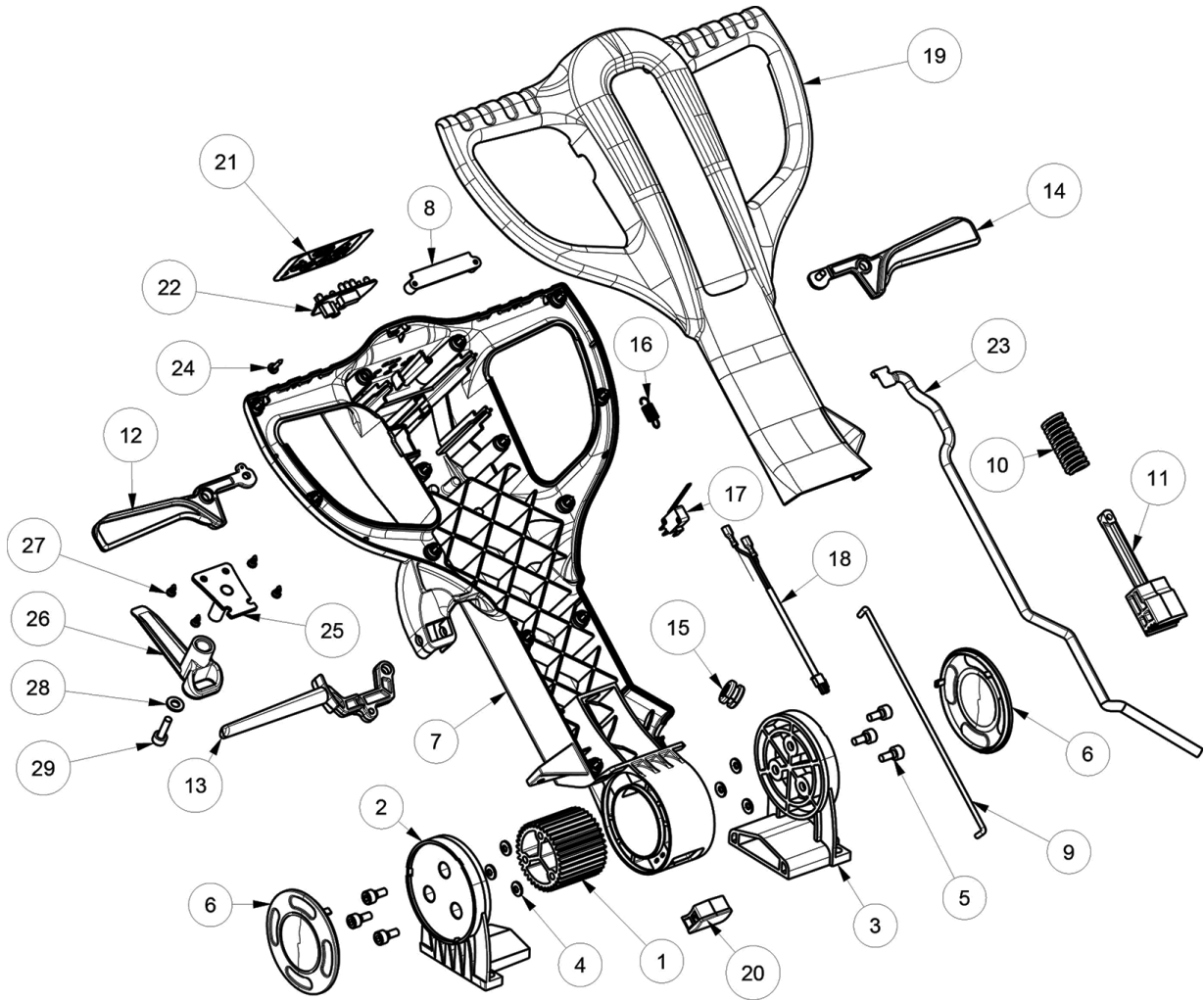
Ref.	K	Part N.	Customer Part N.	Description	Qty	Validity:		Price
						From	To	
0039		MPVR06412		SUPPORT -	1,00			--
0040		VTVT00089		SCREW TCCE UNI 5931 4X10 ZB	2,00			--
0041		GUGO00446		O-RING -	1,00			--
0042		MPVR07071		FILTER CT15	1,00			--
0043		MPVR07069		CAP CT15	1,00			--
0044		MPVR07070		BODY CT15	1,00			--
0045		RCVR00786		CONNECTOR -	1,00			--
0046		MPVR06520		COVER -	1,00			--
0048		VTRS00512		WASHER D. 8 X24 ZC.	2,00			--
0049		VTVT01110		SCREW TE 8X16 UNI5739	2,00			--
0050		VTDD00124		NUT M 8 BASSO	4,00			--
0051		SPPV01552		BRUSH CT15R	1,00			--
0052		VTRS13946		WASHER D. 8 X24 INX UNI 6593	2,00			--
0053		VTVT00757		SCREW	1,00			--
0054		VTVT75724		SCREW TBEI M 8X 22 ISO 7380 ZB	4,00			--
0055		VTRS63242		WASHER D. 6 X24 ZC	1,00			--
0056		VTRS00503		WASHER D. 6 TE UNI 6798	1,00			--
0057		VTVT00787		SCREW TBEI M 6-16	1,00			--
0058		VTVT00711		SCREW TTQ	4,00			--
0059		RCVR00004		CONNECTOR PORTAGOMMA 1/8" D.7	1,00			--
0060		LAFN05830		NET FERMA FILTRO INOX	1,00			--
0061		GUGO00503		GASKET	1,00			--
0062		VTVT01197		SCREW TCIC 4,8X31	4,00	11/2016		--
0062		VTVT01373		SCREW 4,8X38	4,00		11/2016	--
0063		MPVR10741		BUMPER -	1,00			--
0064		MPVR00815		CAP PASSACAVO FERMO MANICO	1,00			--



Ref.	K	Part N.	Customer Part N.	Description	Qty	Validity:		Price
						From	To	
0001		MPVR06515		TANK -	1,00			--
0002		MPVR06517		CRANKCASE -	1,00			--
0003		MPVR05823		TANK RECOVERY CT15	1,00			--
0004		MPVR06516		FLANGE -	1,00			--
0005		VTVT00875		SCREW TC+ 5X25	3,00			--
0006		MPVR05828		COVER BATTERY CHARGER CT15	1,00			--
0007		MPVR05826		COVER -	1,00			--
0008		MPVR05825		COVER -	1,00			--
0009		GUVR00306		GASKET -	1,00			--
0010		GUVR00307		GASKET -	1,00			--
0011		VTVT01694		SCREW TCB TC 5 X10 UNI 9707 TZ	8,00			--
0012		LAFN07923		SPACER -	1,00			--
0013		VTRS00573		WASHER 30x6x3	1,00			--
0014		MPVR06005		FLOATER CT15-CT30 ZAOH	1,00			--
0015		VTVT01197		SCREW TCIC 4,8X31	1,00			--
0016		TBFX00346		TUBE DRAIN RECOVERY TANK CT15	1,00			--
0017		MPVR05188		CAP SOLUTION TANK	1,00			--
0018		VTVT01432		SCREW 50X10	5,00			--
0019		RCVR34780		ELBOW 1/8" M/F A10	1,00			--
0020		RCGR00008		VALVE A SFERA MF 1/8"	1,00			--
0021		RCVR00004		CONNECTOR PORTAGOMMA 1/8" D.7	1,00			--
0022		MPVR08003		CAP	1,00		11/2016	--
0022		MPVR10774		CAP 1/2"	1,00	11/2016		--
0023		VTRS13750		WASHER D. 5X14 INX	2,00			--
0024		VTVT01376		SCREW TE M 5X 35 UNI 5739	2,00			--
0025		VTVT75733		SCREW TBEI M 5X 12 ISO 7380 ZB	4,00			--
0026		VTVT15965		SCREW TCB-TC 4X12 UNI7687 INX	1,00			--
0027		VTRS00251		WASHER 4-16 INOX A2	1,00			--
0028		VTDD15925		NUT M 4 INX	1,00			--
0029		VTVT00640		SCREW TBEI M 6-12 INOX	2,00			--
0030		MECB01931		WIRING CT15 230VAC	1,00			--
0031		LAFN08980		PLATE -	1,00			--
0032		MEVR02110		BOX GEWISS - GW44206	1,00			--
0033		MPVR06481		SUPPORT ESSENTRA TCBN-T2-M4-8-12	4,00			--
0034		GUGO00448		GASKET POTENTIOMETER d.ex.18	2,00			--
0035		VTVT00288		SCREW TCTC 4X10	4,00			--
0036		VTRS15958		WASHER D. 5 X15 UNI 6593	4,00			--
0037		VTVT14062		SCREW TE 5X16 UNI5739	2,00			--
0038		VTRS03924		WASHER D. 5 DIN 6798E	2,00			--



Ref. K	Part N.	Customer Part N.	Description	Qty	Validity:		Price
					From	To	
0040	MECE00536		BOARD RELAY CT15-30 230V	1,00			--
0041	MEVR02091		FUSE-HOLDER -	3,00			--
0042	MEVR00034		FAIR-LEAD PG11 CON GHIERA	2,00			--
0044	MEVR02047		FUSE 8A 6,3X32 GLASS	1,00			--
0045	MEVR04379		FUSE -	2,00			--
0046	LAFN10996		SPACER CT15R	1,00			--
0047	VTVT00806		SCREW TBEI M. 6-10	1,00			--
0048	MFVR00243		WEIGHT -	1,00			--
0049	MPVR06518		COVER -	1,00			--
0050	MPVR08038		PLATE CT15-30	1,00			--
0051	VTDD00055		NUT M 4 ATB A2	1,00			--
0052	VTRS00515		WASHER D. 4 INX	1,00			--
0053	VTVT15965		SCREW TCB-TC 4X12 UNI7687 INX	1,00			--
0054	FSVR00002		CLAMP EKOFLEX 9 23-35	1,00			--
0055	MPVR06568		HOSE COLLAR -	1,00			--
0056	MECI00589		DASHBOARD -	1,00			--
0057	ETET20118		LABEL -	1,00			--



Ref. K	Part N.	Customer Part N.	Description	Qty	Validity:		Price
					From	To	
0001	MPVR06056		GEAR -	1,00			--
0002	MPVR06053		SHELL DX	1,00			--
0003	MPVR06054		SHELL SX	1,00			--
0005	VTVT00876		SCREW TCEI M.8-16	6,00			--
0006	MPVR06055		COVER -	2,00			--
0007	MPVR06047		CRANKCASE -	1,00			--
0008	MPVR06298		SUPPORT ELECTRONIC CARD	1,00			--
0009	LAFN09221		LEVER RINVIO	1,00			--
0010	MLML00337		SPRING -	1,00			--
0011	MPVR06052		HANDLE SUPPORT	1,00			--
0012	MPVR06049		LEVER DX	1,00			--
0013	MPVR06050		LEVER ADJUSTMENT	1,00			--
0014	MPVR06048		LEVER SX	1,00			--
0015	MPVR06057		FAIR-LEAD -	1,00			--
0016	MLML00336		SPRING -	1,00			--
0017	MECI36393		MICROSWITCH TRZ. DRW	1,00			--
0018	MECB01324		WIRING PUSH BOTTON CT45 C	1,00			--
0019	MPVR06046		CRANKCASE NEW HANDLE FRONT 15-30-45	1,00			--
0020	MPVR06297		COVERING CT55	1,00			--
0021	ETET01781		LABEL -	1,00			--
0022	MECE00537		BOARD LOGIC CT15-CT30 230V	1,00			--
0023	MECB01396		WIRING	1,00			--
0024	VTVT01371		SCREW 4,8X19	14,00			--
0025	LAFN09222		BRACKET -	1,00			--
0026	MPVR34714		CABLE SUPPORT E 350	1,00			--
0027	VTVT48694		SCREW TCB TC 5 X12 UNI 9707 TZ	4,00			--
0028	VTRS00230		WASHER D. 8	1,00			--
0029	VTVT63035		SCREW TCEI M8X25 BRUNITA	1,00			--