

ORIGINAL INSTRUCTIONS

CAUTION – READ THESE INSTRUCTIONS BEFORE USING THE MACHINE

User instructions

Hydromist Lite

Carpet Soil Extraction Machines



Contents

- 1. General information 4
 - 1.1. Important Safety Advice 4
 - 1.2. Guidelines for the operator 4
 - 1.3. Transporting the machine 5
 - 1.4. Electrical connection 5
 - 1.5. Symbols & Markings 5
- 2. Controls 6
- 3. Preparing for use 6
- 4. Operation 6
 - 4.1. Starting the machine 6
 - 4.2. Using the machine 6
 - 4.3. Cleaning Carpet 7
 - 4.4. Cleaning Stairs 7
 - 4.5. Cleaning Upholstery 7
- 5. When Cleaning is Finished 7
 - 5.1. Draining and Cleaning 7
 - 5.2. Storage 7
 - 5.3. Maintenance 7
- 6. After Sales Service 7
- 7. Guarantee 8
- 8. Waste Electrical & Electronic Equipment (WEEE) 8
- 9. Technical specification 8
- 10. Accessories and Cleaning Chemicals 9
- 11. Fault Diagnosis 9
- 12. Parts Lists & Diagrams 10
- 13. EC Declaration of Conformity 13

IMPORTANT
BEFORE USE READ THESE INSTRUCTIONS AND RETAIN FOR FUTURE REFERENCE

1. General information

The Hydromist range of carpet soil extraction machines are designed for the efficient cleaning of carpets and upholstery.

We recommend that any user not familiar with carpet cleaning should read these user instructions fully before using the machine. If you have any queries please contact the supplier who you purchased the machine from or Truvox International on the contact details provided at the back.

These machines must only be used for the manufacturer's approved application. **Do not use** the machine where it is suspected that the carpet, floor or upholstery contains health endangering dust or debris such as asbestos or chemical waste. If this is suspected **do not proceed**, contact your supervisor, supplier or Truvox International for advice.

The following instructions contain important information about the machine and safety advice for the operator.

Equipment must be operated, serviced and maintained in accordance with the manufacturer's instructions. **If in doubt contact the supplier of your machine.**

These instructions are valid for the following models:

Hydromist Lite

1.1. Important Safety Advice

When using electrical equipment basic safety precautions should be followed including the following.

- Read all instructions carefully before use.
- This appliance is suitable for commercial use, for example in hotels, schools, hospitals, factories, shops, offices, rental businesses and other than normal housekeeping purposes.
- This machine is not intended for use by persons (including children) with reduced physical, sensory or mental capabilities, or lack of experience and knowledge, unless they have been given supervision or instruction concerning use of the machine by a person responsible for their safety.
- Keep children and unauthorised persons away from the machine when in use.
- Before using the appliance, check that the mains power voltage corresponds with the voltage shown on the rating plate.

- All parts are to be positioned as indicated in the instructions before using the machine.
- Do not operate the machine if it malfunctions or is damaged in any way. Contact an authorised service agent for repair or adjustment.
- Do not operate switches or touch the mains plug with wet hands as this may cause electric shock.
- When unplugging pull the plug, not the supply cord.
- Do not pull or carry by cord, use cord as a handle, close a door on cord, or pull around sharp edges or corners.
- Keep hair, loose clothing, fingers and all parts of body away from openings and moving parts.
- Keep cord away from heated surfaces.
- Do not use where hazardous dust is present.
- Do not use in an explosive atmosphere.
- Do not pick up oil or other flammable material.
- Do not use to pick up moisture or any liquids.
- Do not leave the machine connected to the electricity supply when not in use, always remove the plug from the socket-outlet.
- Switch off the machine before removing the plug.
- Keep the power supply cord clear of moving parts. During operation hazard may occur when running the machine over the power supply cord.
- The power supply cord must be regularly inspected for signs of damage. If the power supply cord is damaged, it shall only be replaced by the manufacturer, its service agent or a similar qualified person in order to avoid a hazard.
- Only replace the supply cord with the type specified in the instruction manual.
- Do not operate the machine with a damaged supply cord or plug, or after the machine malfunctions or is damaged in any way. Contact an authorised Service Agent for repair or adjustment.
- The plug of the power supply cord must be removed from the socket-outlet before commencing cleaning of the machine or undertaking maintenance operations.
- Do not kink or twist the power cord.
- Take care when using a machine near the top of stairs to avoid overbalancing.

1.2. Guidelines for the operator

WARNING



Operators must be fully trained in the use of the machine in accordance with these instructions, able to perform user maintenance and the correct selection of accessories.

- Operators should be physically capable to manoeuvre, transport and operate the machine.

- Operators should be able to recognise unusual operation of the machine and report any problems.
- Only use the machine on firm level surfaces.
- Wear suitable footwear to avoid slipping.
- Wear suitable clothing to keep dry and warm.
- Where possible implement job rotation and adequate rest periods to avoid continuous use of the same muscles.
- Do not leave machine running unattended
- Do not smoke when using the machine.
- Do not put any objects into openings. Do not use with any opening blocked: keep free of dust, debris, hair, or anything that may reduce air flow.



CAUTION - This machine is for indoor use only and should not be used or stored outdoors or in wet conditions.



CAUTION - If it is suspected that there is hazardous dust or flammable materials stop cleaning the area immediately and consult your superior.



WARNING Only use accessories and spare parts provided with the machine or those approved by the manufacturer. The use of other accessories may impair the safety of the machine.



WARNING – Should water emit from the machine exhaust **switch off immediately** and refer to instructions for **Using the Machine**

- Ensure the machine is switched off before adding or changing accessories.

1.3. Transporting the machine



CAUTION – Incorrect lifting techniques may result in personal injury, where applicable do not lift large and heavy machines without assistance. We advise that the manual handling regulations are followed. Please refer to the technical table for details on weight of machine.

When transporting the machine ensure that all components, tanks and removable parts are securely fastened, and that the supply cord and plug are not trailing. Detach hose and wand from machine where applicable.

Do not lift or transport the machine whilst containing liquid as this will add considerably to the weight.

Take extreme care when moving the machine up or down steps or stairs.

1.4. Electrical connection

Before connecting the machine to the power supply, check that your supply voltage corresponds with that marked on the rating label.

The power supply cord plus any extension leads should not exceed 30m in total, otherwise you may experience problems starting up the machine. The cross-section of any extension cable wiring must be at least 2,5 mm².

Should an extension cord be used, ensure cord rating is adequate for the equipment. Do not use extension cord in coiled condition as this could result in overheating of the cord.

UK only

The supply cord for 230v models is fitted with a plug containing a 13 amp fuse. Should the fuse require replacement it must only be replaced by a 13 amp fuse conforming to BS1362, and the fuse cover must be refitted. If the fuse cover is lost the plug must not be used until the correct replacement cover is fitted.

IMPORTANT - If the supply cord is damaged, it must only be replaced by a special cord available from the manufacturer or an authorised service agent.

1.5. Symbols & Markings



WARNING



Earth symbol

2. Controls



- 1 Hose release catch
- 2 Vacuum hose inlet
- 3 Solution outlet
- 4 Anti-foam tank

- 5 Solution pump switch
- 6 Vacuum switch
- 7 Machine cover



- 8 Removable solution tank
- 9 Removable recovery tank
- 10 Filters

3. Preparing for use

- Make sure both tanks are clean before use.
- Connect the flexible vacuum hose onto the vacuum hose inlet and the high pressure spray hose onto the solution outlet. (fig. 1)

Fig 1



- Connect the vacuum hose and the high pressure spray hose to the carpet cleaning wand or the upholstery tool.
- Fill the clean water tank with detergent and water. Take care to use correct dilution rate for the detergent. Never over fill.

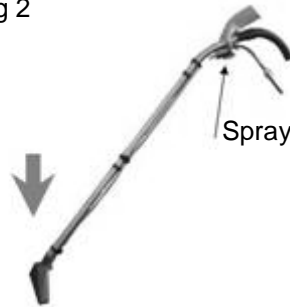
- Fill the anti-foam tank with an appropriate de-foamer solution.
- Important – Always use low foaming carpet cleaning chemicals. If using foaming carpet cleaning chemical, or if foam develops due to residues in the carpet, ensure that an appropriate de-foamer is used in the anti-foam tank.
Incorrect chemicals could cause damage to the carpets being cleaned or cause the machine to malfunction.

4. Operation

4.1. Starting the machine

- Connect the cable to mains power.
- Ensure the slider on top of the trigger unit is in the closed position.
- Switch on the unit spray or/and vacuum.
- Squeeze the trigger to spray solution onto the carpet/upholstery.
- Maintain a constant pressure of the wand/tool onto the surface to be cleaned in a backwards movement only. (fig. 2).

Fig 2



4.2. Using the machine

- To more thoroughly dry the surface being cleaned, complete the cleaning with a second pass with the vacuum (and no spray).
- Never soak the textile being cleaned while spraying.

4.3. Cleaning Carpet

Colour fastness - Before using cleaning solution or pre-spotter, test carpet for colour fastness on an inconspicuous area. Apply solution to a small piece of clean white material or tissue, and then rub on carpet vigorously. Excessive amounts of dye showing on the material indicate that the colours are not fast, and the carpet should not be wet cleaned.

- Move furniture around to give a clear working area. Cover bottoms of furniture legs where necessary (aluminium cooking foil is ideal). Pin up curtains and drapes.
- Vacuum carpet thoroughly to remove any residual dust or debris.
- Areas of heavy carpet soiling can be removed more easily if first treated with a concentrated cleaning solution or pre-spotting solution.
- Rate of cleaning will depend upon the thickness of the carpet and the degree of dirt in the area being cleaned.
- **Do not** clean any more than twice. Carpets may shrink if they are over-wet or not properly fixed down.

4.4. Cleaning Stairs



CAUTION - When cleaning on stairs exercise great care to ensure that machine is stable and cannot overbalance, possibly causing injury to either operator or third party. Use the optional stair/upholstery tool for cleaning in place of the wand assembly.

4.5. Cleaning Upholstery

This is done in the same way as carpet cleaning except using the upholstery tool in place of the wand assembly. Cleaning is achieved using a gentle dragging motion of the upholstery tool over the material.

- An inconspicuous area of the item to be cleaned should always be tested for colour fastness prior to cleaning. Should doubt exist as to the suitability of the fabric for wet cleaning, the chemical manufacturer should be consulted for advice.
- Loose cushions should be removed and cleaned separately.
- Care should be taken to avoid over-wetting the fabric.

5. When Cleaning is Finished

5.1. Draining and Cleaning


- Before removing the spray hose, pressure in the system must be released. With the pump switched off, hold the spray nozzle over the removable recovery tank and squeeze the spray trigger until the remaining solution has been released. The spray hose can now be disconnected.

- After use check that both solution tanks are empty.
 - Empty the solution tank and rinse.
 - Empty the recovery tank and rinse clean
 - Add approx. ½ litre (1 pint) of clean water to the solution tank to flush out the tank and pump
 - Rinse both tanks out with clean water before storing the machine.
 - Clean nozzles and hoses.

5.2. Storage

- Always unplug, empty, wipe down and dry the machine after use.
- Wrap supply cord around the handle of the machine ensuring that the plug is not trailing on the floor. Store the machine in a dry indoor area only.

5.3. Maintenance

 **WARNING** - Before undertaking maintenance operations or adjustments switch off machine and unplug from the electricity supply.

The machine requires minimum maintenance apart from the following checks by the operator.

- **Supply cord** - Regularly inspect sheath, plug and cord anchorage for damage or loose connection.
- **Solution tank** – Check filter is clean and undamaged. A damaged or missing filter must be replaced or damage to pump head and spray jet could occur.
- **Vacuum filter** – Check the vacuum filter is cleaned and replaced as appropriate.
- **Vacuum head** – Check and remove any debris or lint build-up from the head.
- **Spray jet** – Check jet for blockage and full spray pattern. Blow through jet to clean. **Do not** use a pin, as this could damage the jet.

IMPORTANT – All other servicing and repairs should only be performed by a Truvox engineer or Authorised Service Agent.

6. After Sales Service

Truvox machines are high quality machines that have been tested for safety by authorised technicians. It is always apparent that after longer working periods, electrical and mechanical components will show signs of wear and tear or ageing.

Under extreme or specialised conditions and/or insufficient maintenance, shorter maintenance intervals are necessary. Use only original Truvox spare parts. **Use of other spare parts will invalidate all warranty and liability claims.**

Should you require after sales service please contact the supplier from whom you purchased the machine, who will arrange service. Repairs and servicing of Truvox products should only be

performed by trained staff. Improper repairs can cause considerable dangers to the user.

7. Guarantee

Your product is guaranteed for **two** year from the date of original purchase, or hire purchase, against defects in materials or workmanship during manufacture. Within the guarantee period we undertake at our discretion, to repair or replace free of charge to the purchaser, any part found to be defective, subject to the following conditions.

CONDITIONS

1. Claims made under the terms of the guarantee must be supported by the original invoice/bill of sale issued at the time of sale, or the machine Serial Number.
2. For claims under this guarantee contact the supplier from whom you purchased the product who will arrange the appropriate action. Do not initially return the product as this could result in transit damage.
3. Neither Truvox nor its distributors shall be liable for any incidental or consequential loss.
4. This guarantee is governed by the laws of England. This guarantee does not cover any of the following: Periodic maintenance, and repair or replacement of parts due to normal wear and tear.
5. This guarantee is governed by the laws of England. This guarantee does not cover any

of the following: Periodic maintenance, and repair or replacement of parts due to normal wear and tear.

- Damage caused by accident, misuse or neglect, or the fitting of other than genuine Truvox parts.
- Defects in other than genuine Truvox parts, or repairs, modifications or adjustments performed by other than a Truvox service engineer or authorised service agent.
- Costs and risks of transport relating directly or indirectly to the guarantee of this product.
- Consumable items and wear parts such as drive belts.

This guarantee does not affect your statutory rights, nor your rights against the supplier arising from their sales or purchase contract.

8. Waste Electrical & Electronic Equipment (WEEE)

Do not dispose of this device with unsorted waste. Improper disposal may be harmful to the environment and human health.



Please refer to your local waste authority for information on return and collection systems in your area.

9. Technical specification

All models: 230-240 V ~ 50 Hz, Class II construction. Enclosure to IPX4. Fitted with 4,5m supply cord and 13A fused plug.

Model		Hydromist Lite
Code		HML
Voltage	V	230
Pump type		magnet
Pump power	W	50
Pump pressure	Bar / psi	4 / 58
Flow rate	l/min	2
Vac hose length	m	3
Vac motor	W	1100
Water lift	mm / kPa	2000 / 20
Airflow	l/sec	46.1
Solution tank capacity	litre	6.5
Recovery tank capacity	litre	7
Sound pressure level	dB(A)	78
Size (L x W x H)	cm	53 x 37 x 43
Cable length	m	4,5
Weight empty	kg	10
Warranty		1 year

Truvox International is a BSI Registered Company and our policy is one of continuous development. We reserve the right to change specifications without prior notification.

10. Accessories and Cleaning Chemicals

Chemical	Bottle size	Bottles per case	Part No.	Usage
Hydromist Carpet Cleaning Solution	500ml	10	HMC01005	The quality way to beautify carpets and upholstery. Formulation lifts dirt and stains out of your carpets and helps prevent re-soiling. Leaves carpets and upholstery soft and fresh.
	1 litre	10	HMC01010	
	5 litre	4	HMC01050	
Hydromist Pre-spotter	500ml trigger spray	10	HM003005	Formulated to help remove stubborn stains from carpet and upholstery

IMPORTANT: Genuine accessories and chemicals are only available from authorised Service Agents or the Truvox Customer Service Department.

11. Fault Diagnosis



WARNING - Before undertaking maintenance operations or adjustments switch off machine and unplug from the electricity supply

Problem	Reason	Remedy
The spray pump and vacuum does not work	<ul style="list-style-type: none"> Power failure. 	<ul style="list-style-type: none"> Check the main fuse*, the power supply cord and the plug.
No spray or the spray is not even	<ul style="list-style-type: none"> Spray nozzle blocked Solution tank empty Solution feed filter blockage 	<ul style="list-style-type: none"> Check the spray pipe and nozzle. Is there water in the tank? If there is water in the tank, wait for a couple of seconds for the pump to build up pressure. If the tank is empty, fill it as indicated. The filter in the clean water tank, the pipe or the nozzle may be blocked. Switch off the unit and perform maintenance.
The vacuum power falls.	<ul style="list-style-type: none"> The recovery tank may be full. 	<ul style="list-style-type: none"> Empty recovery tank.

* If the fuse blows several times, the machine should be checked by an authorised Service Agent.

12. Parts Lists & Diagrams

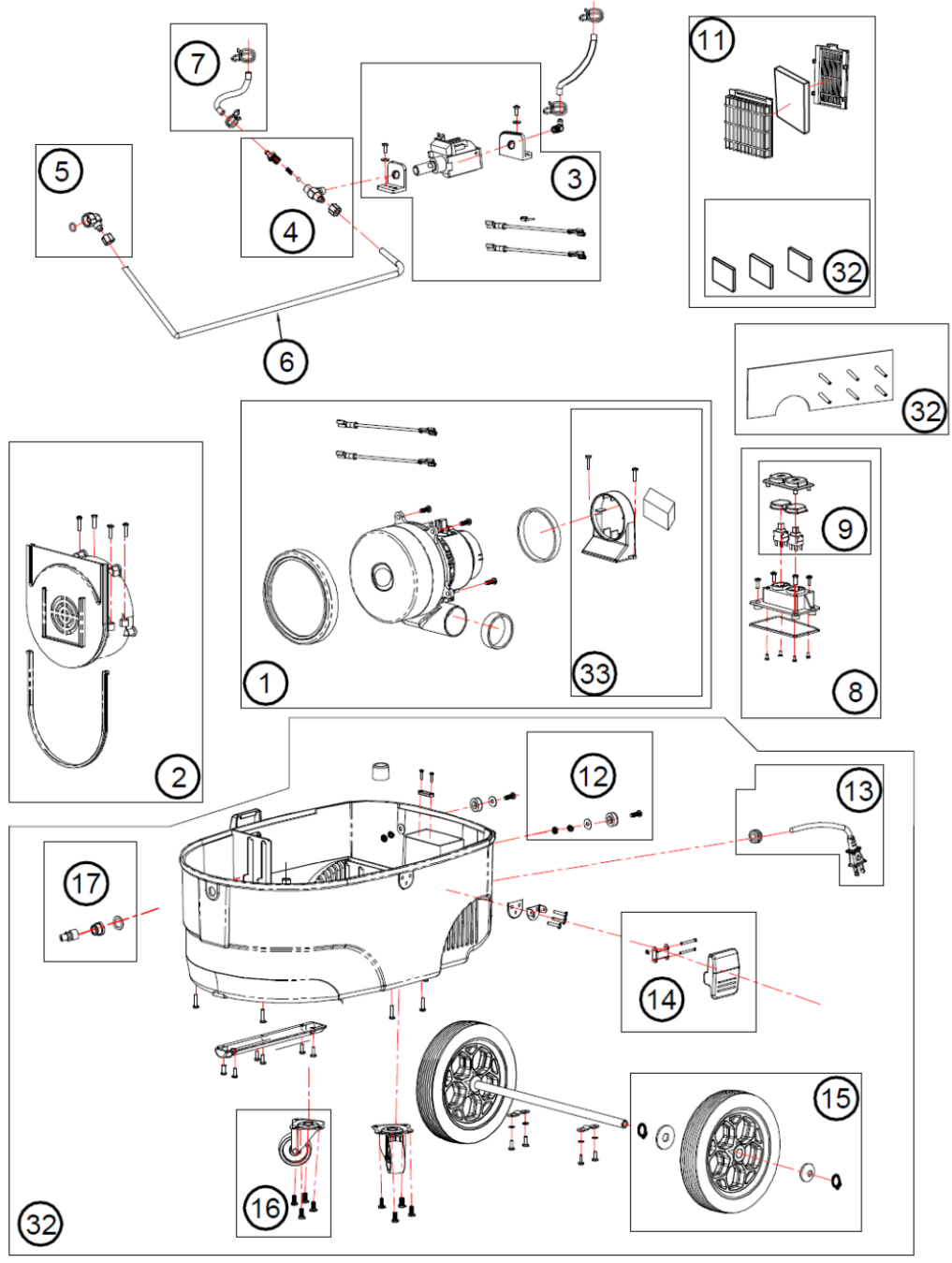
Model Ref.: -HML - HYDROMIST LITE

Service Parts Kit List Issue 1 Dated 18-February-2008

Ref. Drawing 09-1100-0000 Issue A Dated 18-February-2008

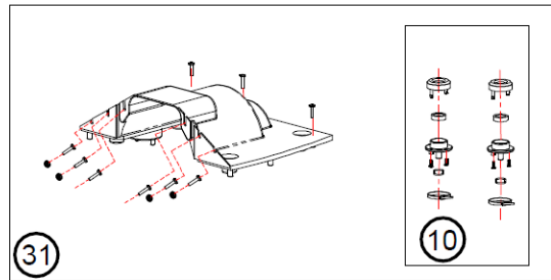
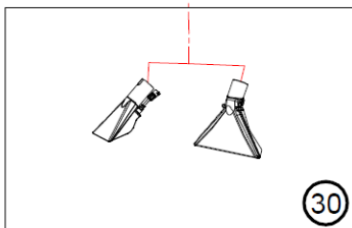
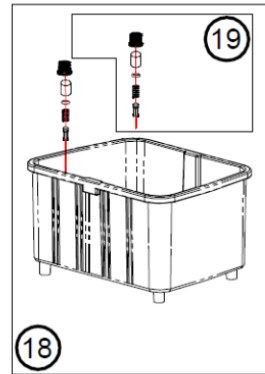
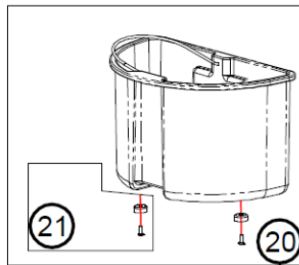
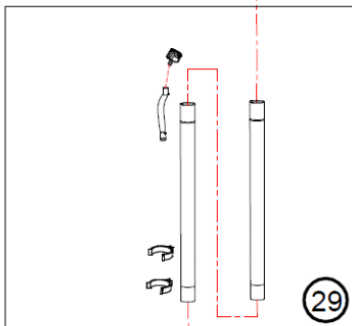
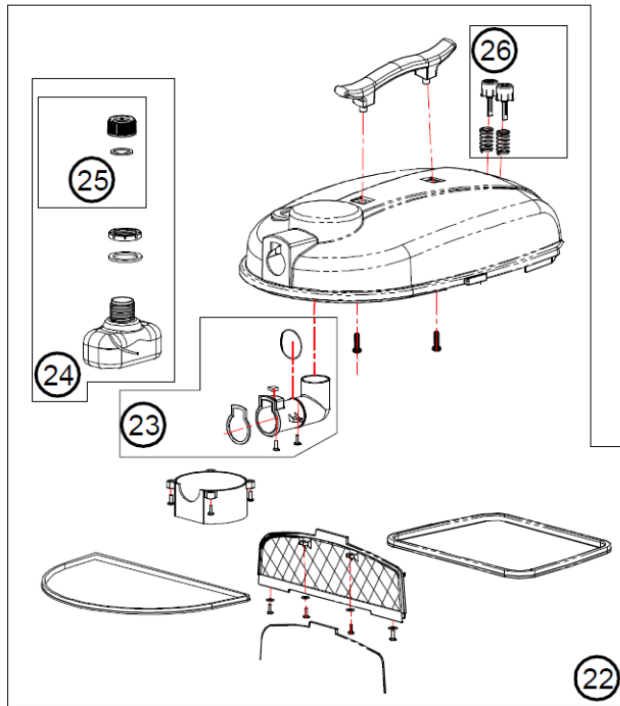
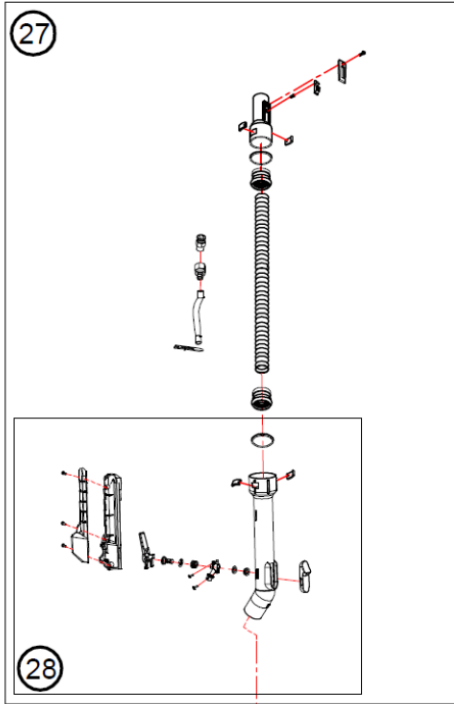
Kit Number	Part Number	DESCRIPTION
1	20-0127-0000	VAC MOTOR ASSY
2	20-0128-0000	VAC MOTOR HOLDER ASSY
3	20-0129-0000	PUMP ASSY
4	20-0130-0000	PUMP TEE PIECE ASSY
5	20-0131-0000	WATER FEED ELBOW ASSY
6	20-0132-0000	WATER FEED TUBE
7	20-0133-0000	PUMP FEED TUBE
8	20-0134-0000	POWER SWITCH ASSY
9	20-0135-0000	POWER SWITCH & COVER
10	20-0136-0000	WATER FEED COVER ASSY
11	20-0137-0000	VAC MOTOR FILTER ASSY
12	20-0138-0000	RUBBER BUFFER ASSY (2 SETS)
13	20-0139-0000	POWER CORD ASSY
14	20-0140-0000	CLIP ASSY (2 SETS)
15	20-0141-0000	WHEEL ASSEMBLY (PER WHEEL)
16	20-0142-0000	CASTOR ASSY (PER CASTOR)
17	20-0143-0000	QUICK RELEASE CONNECTOR ASSY
18	20-0144-0000	CLEAN WATER TANK ASSY
19	20-0145-0000	CLEAN WATER TANK FILTER ASSY (2 SETS)
20	20-0146-0000	WASTE WATER TANK ASSY
21	20-0147-0000	WASTE WATER TANK FEET ASSY (2 SETS)
22	20-0148-0000	TOP COVER ASSY
23	20-0149-0000	HOSE CONNECTOR TUBE ASSY
24	20-0150-0000	ANTI FOAM BOTTLE ASSY
25	20-0151-0000	ANTI FOAM BOTTLE LID ASSY
26	20-0152-0000	PUMP AND MOTOR BUTTON ASSY
27	20-0153-0000	HOSE ASSY
28	20-0154-0000	TRIGGER ASSY
29	20-0155-0000	EXTENSION WAND ASSY
30	20-0156-0000	NOZZLE ASSY
31	20-0159-0000	MOTOR COVER ASSY
32	20-0160-0000	HOUSING ASSY
33	20-0161-0000	AIR INLET ASSY

Truvox International Ltd.,
 Third Avenue, Millbrook,
 Southampton. Hampshire.
 SO15 0LE.
 Service & Spares: 023 80706601
 Customer Services: 023 80706600
 General Enquiries: 023 80702200



					SCALE	NTS	TITLE		
					CHECKED	M.D.C.	Hydromist Lite Service Spares Kits		
18.02.08		A	NEW DRAWING	M.C	DRN	M.C	PRODUCT	DRAWING/PART No	SHEET 1 OF
DATE	CRO No	ISS	REVISION RECORD	DR	CHK		HYDROMIST LITE	09-1100-0000	2 SHEETS
								A4	

Truvox International Ltd.,
 Third Avenue, Millbrook,
 Southampton. Hampshire.
 SO15 0LE.
 Service & Spares: 023 80706601
 Customer Services: 023 80706600
 General Enquiries: 023 80702200



					SCALE	NTS	TITLE		
					CHECKED	M.D.C.	Hydromist Lite Service Spares Kits		
18.02.08		A	NEW DRAWING	M.C.M.C	DRN	M.D.C.	PRODUCT	DRAWING/PART No	SHEET 2 OF
DATE	CRO No	ISS	REVISION RECORD	DR	CHK		HYDROMIST LITE	09-1100-0000	2 SHEETS
								A4	

13. EC Declaration of Conformity

Declaration of Conformity

We, Truvox International Ltd.

of Third Avenue, Millbrook,
Southampton, Hampshire
England
SO15 0LE

declare that the machinery

Make : Carpet Soil Extraction Machines
Type : Hydromist
Model : HML...

Serial Number : from 01000
Year of Construction : 2010

has been manufactured using the following transposed harmonised European Standards and technical specifications.

Ref No	Title
2006/42/EC	Machinery Directive and subsequent amendments
2006/95/EC	The Low Voltage Directive and subsequent amendments
BS EN 60335-1	
BS EN 60335-2-68	
2004/108/EC	The EMC Directive and subsequent amendments
EN61000-3-2	
EN61000-3-3	
EN55014-1	
EN55014-2	

Signed in : SOUTHAMPTON, England

on the 29th day of December 2009

Signature :



Name : David Overell
Position : Managing Director

Technical file: Hydromist Lite Iss. 1
Mark Campbell, Product Support Manager

Authorised dealer:

Truvox International Limited
Third Avenue, Millbrook, Southampton, Hampshire SO15 0LE, England
Tel: +44 (0) 23 8070 2200 Fax: +44 (0) 23 8070 5001
e-mail: truvox@truvox.com Web: www.truvox.com

